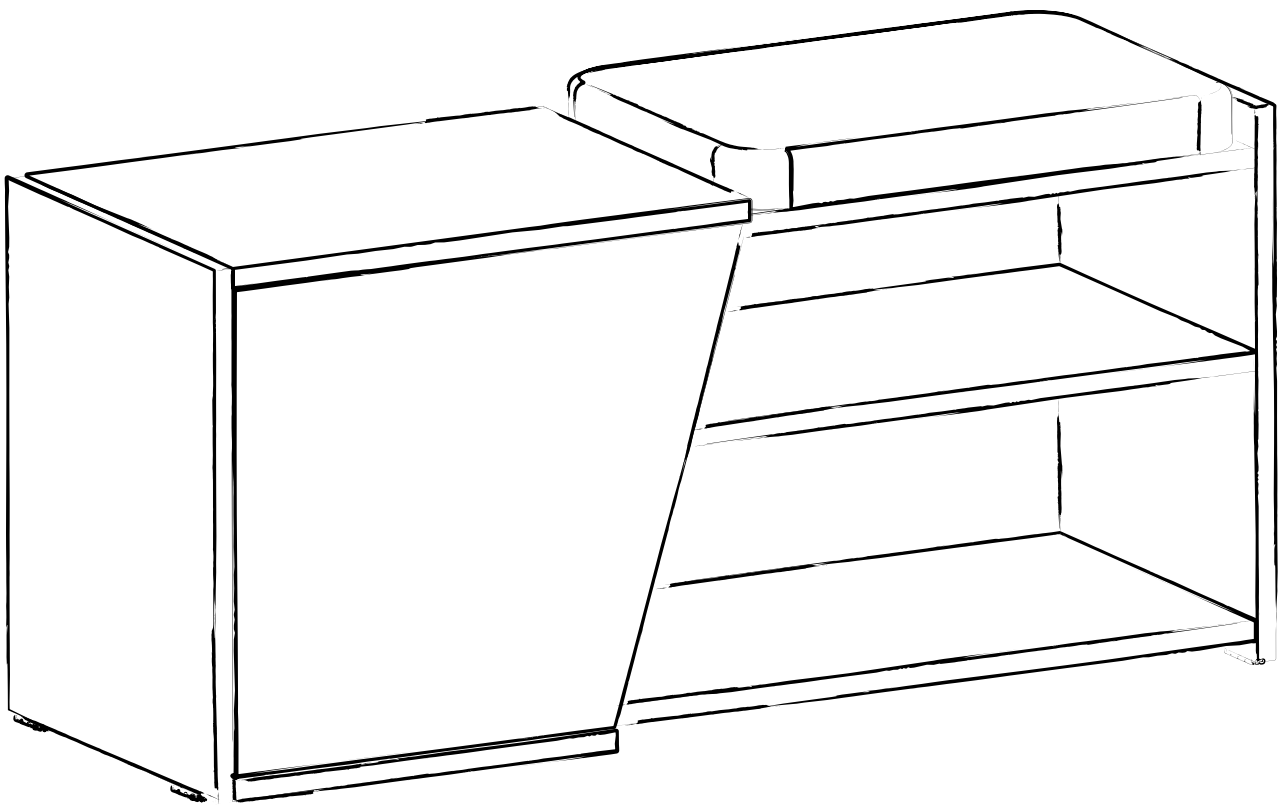
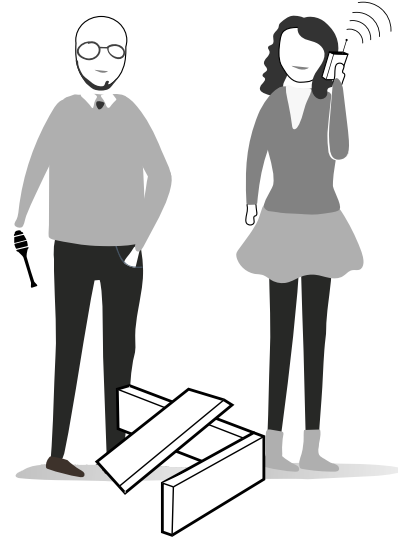
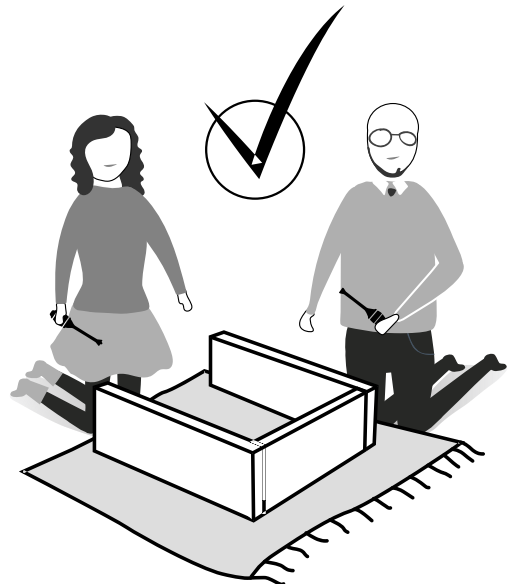
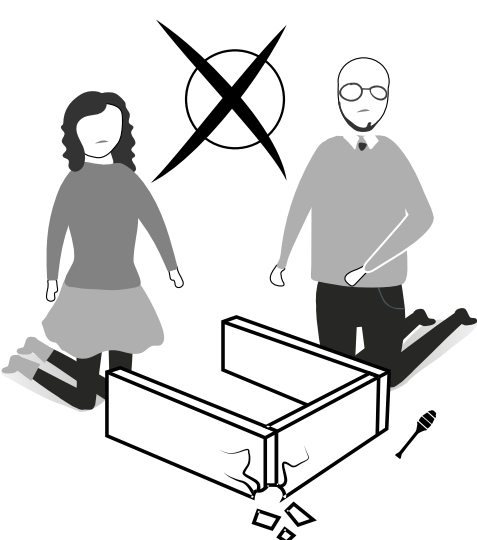
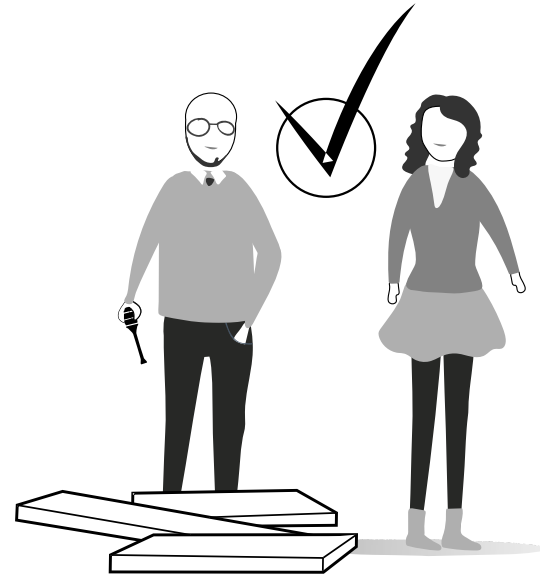
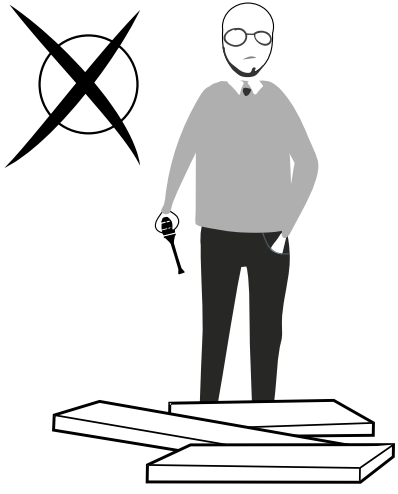


# PROPER

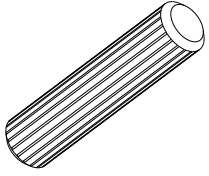
---

141250

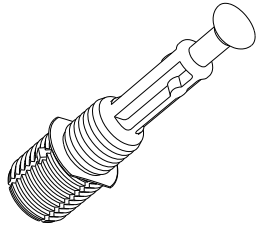




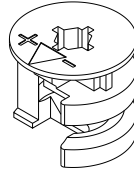
A04



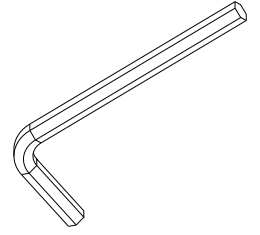
A23



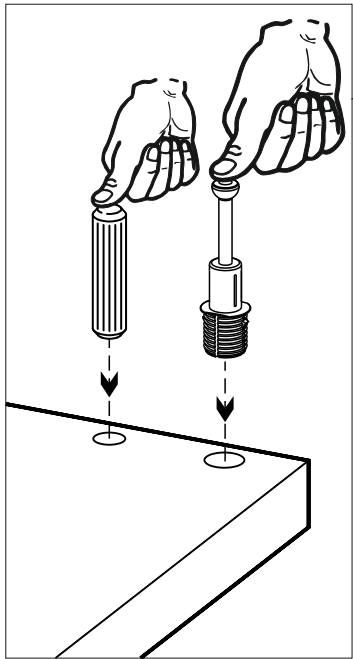
A22



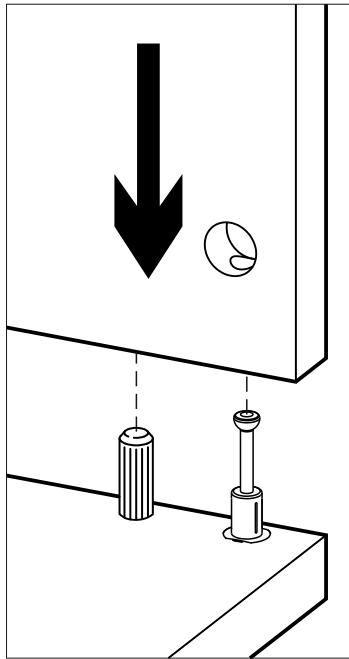
A12



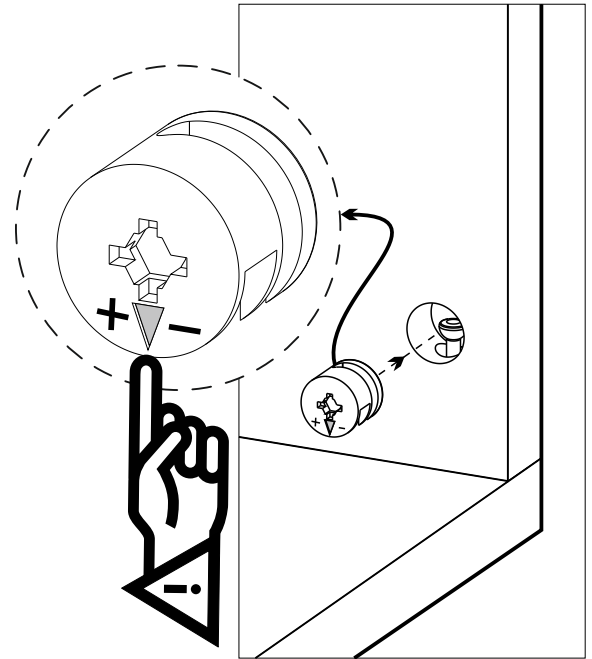
1



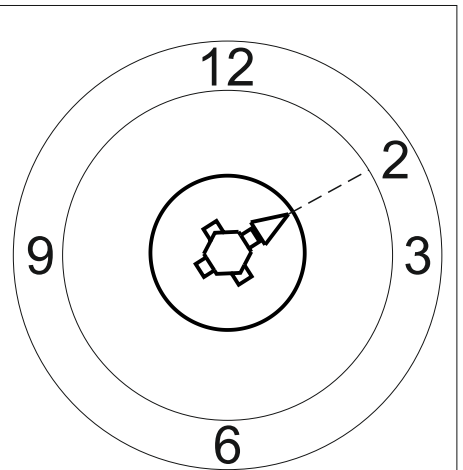
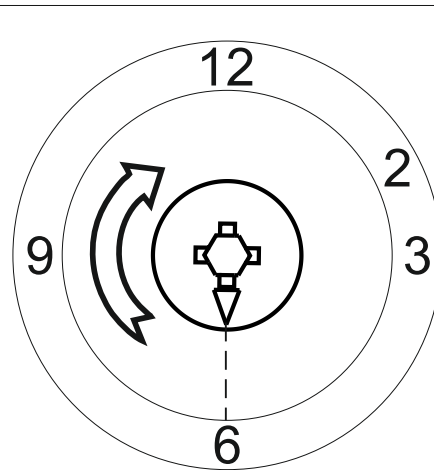
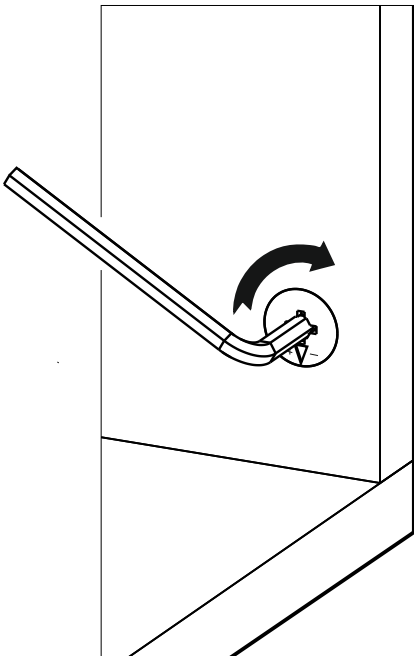
2

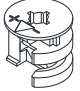

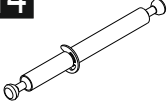
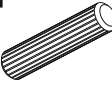
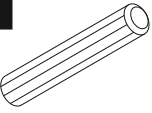
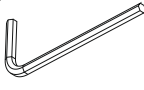

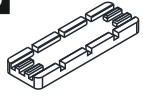
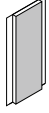

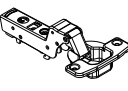
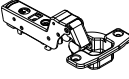
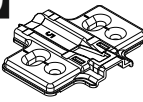

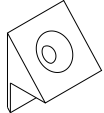
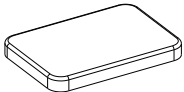
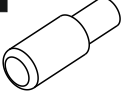
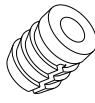


3



4



<b>A22</b>  20x	<b>A23</b>  16x	<b>A14</b>  2x	<b>A04</b>  16x	<b>A41</b>  2x
<b>A12</b>  1x	<b>B03</b>  4x	<b>A08</b>  6x	<b>Y03</b>  6x	<b>A06</b>  C1-16x C2-8x
<b>C16</b>  1x	<b>C19</b>  1x	<b>C20</b>  2x	<b>A18</b>  16x	<b>A25</b>  4x
 1x	<b>A48</b>  6x	<b>A69</b>  4x		

