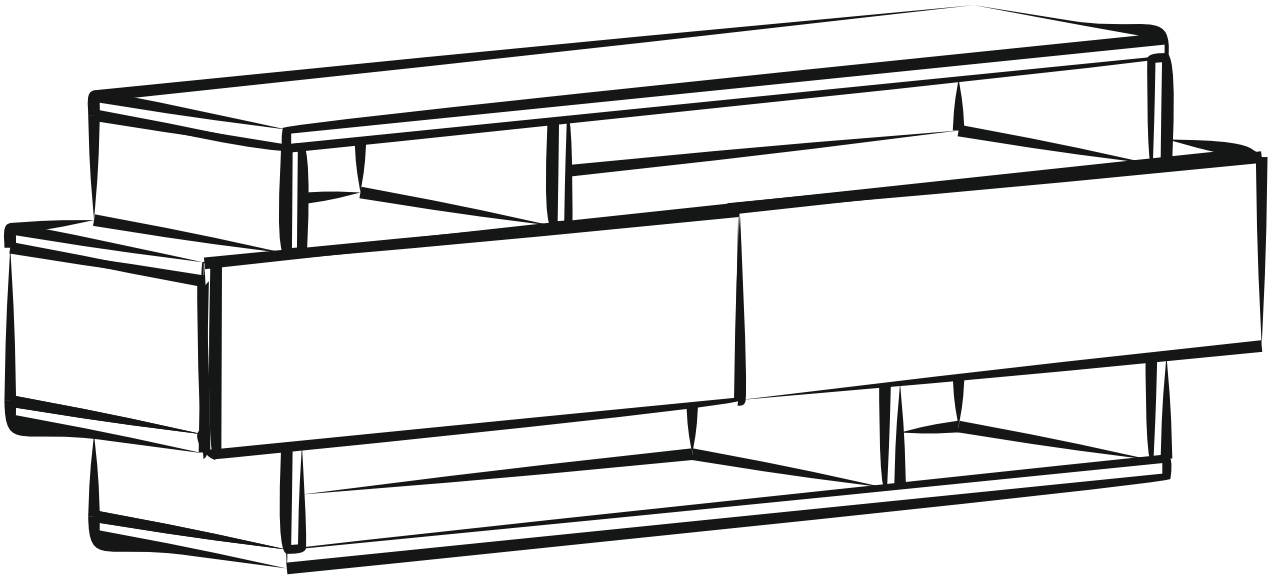
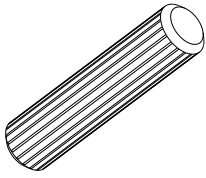


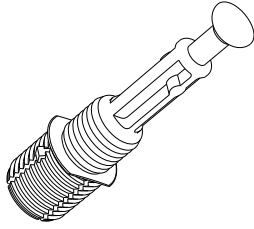
# NOAH



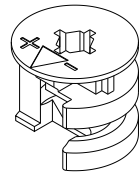
A04



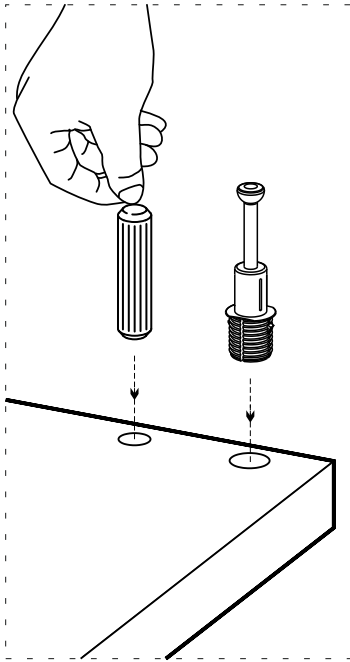
A23



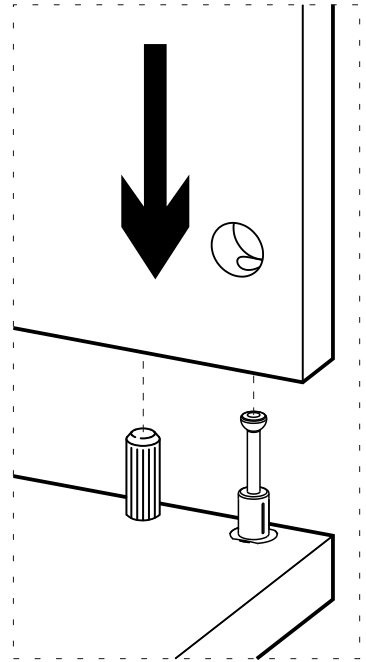
A22



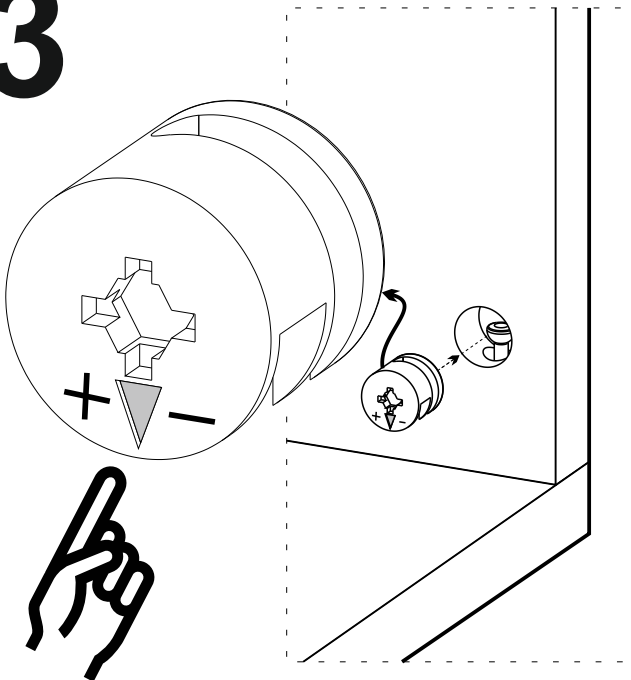
1



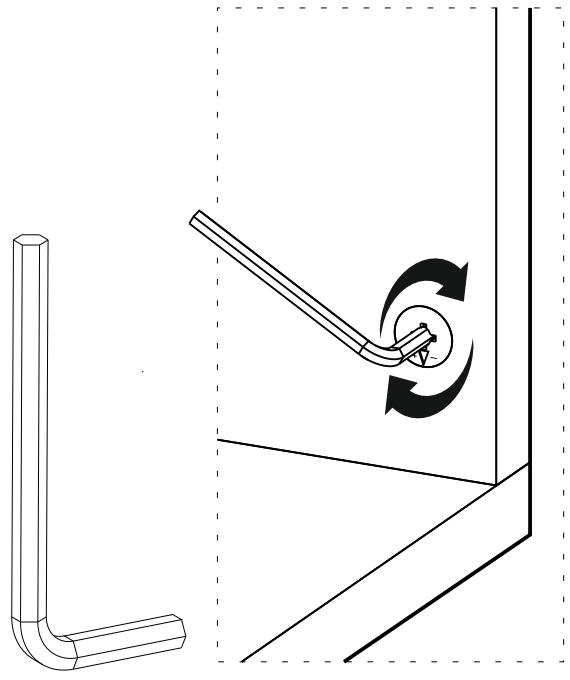
2

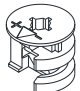



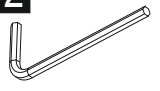

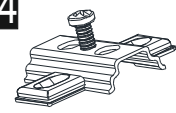


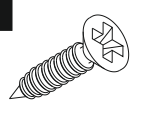
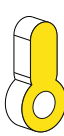

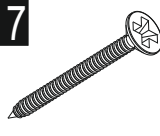
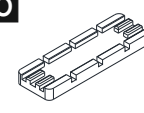



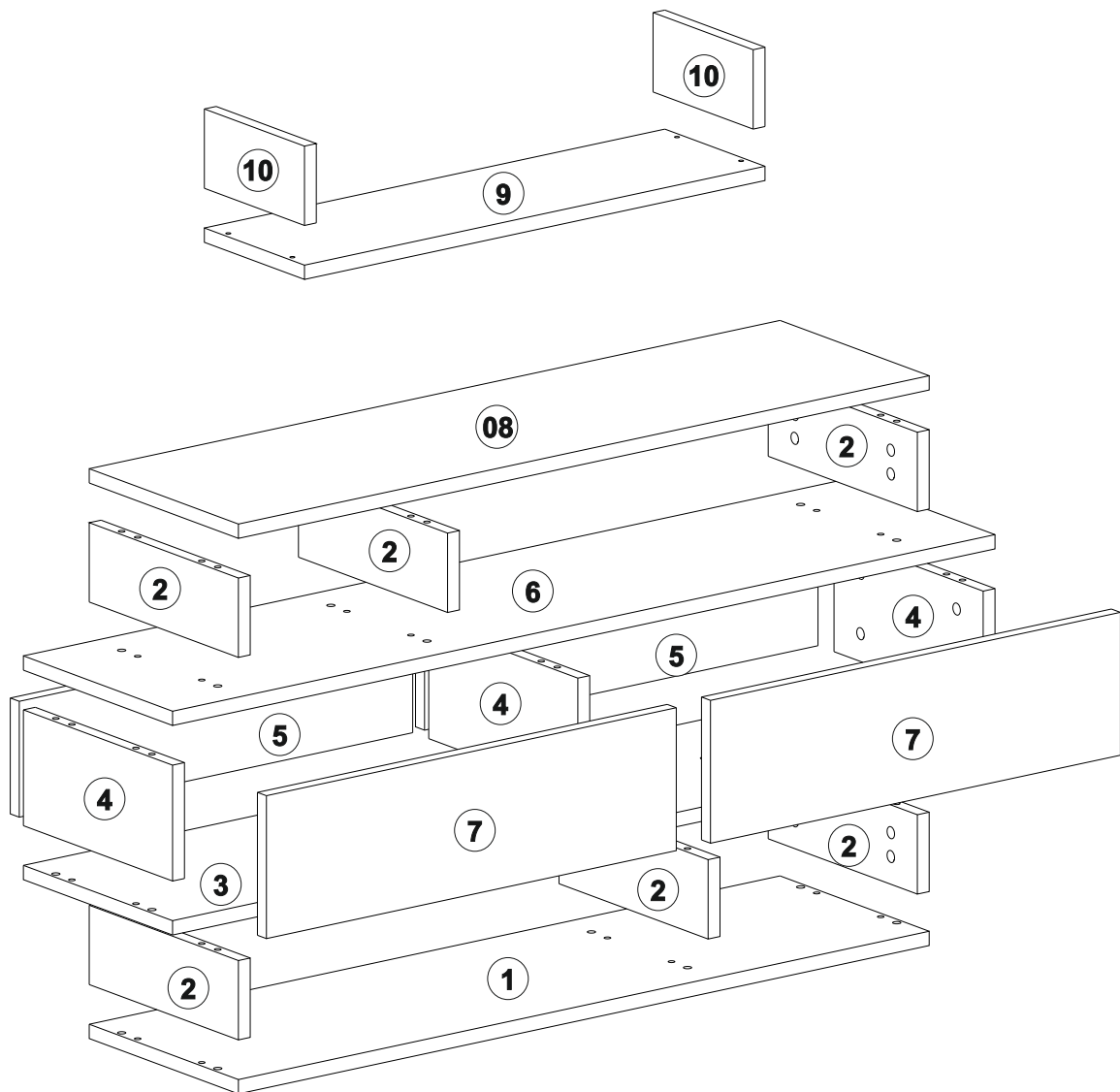
3



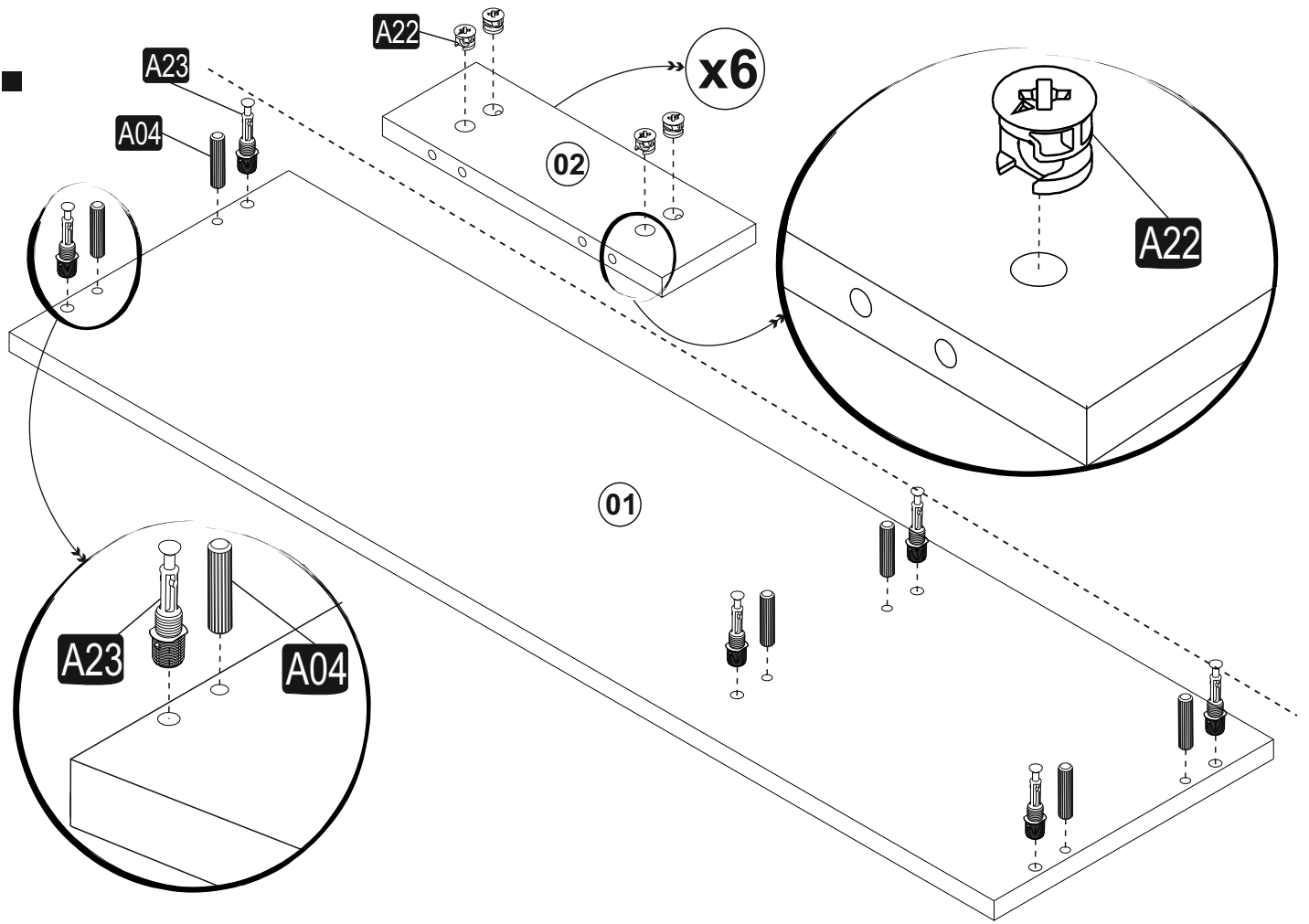
4



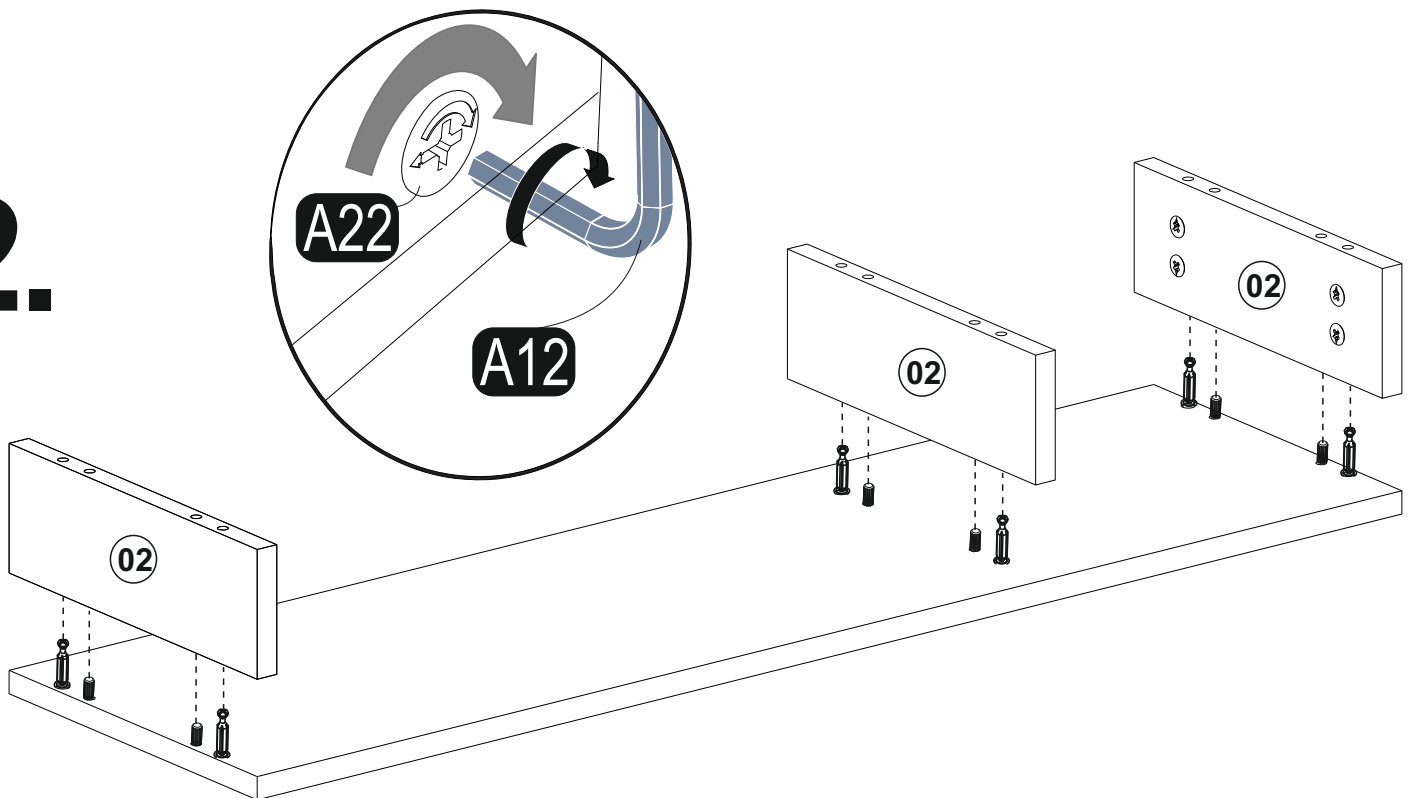
<b>A22</b>  36x	<b>A23</b>  36x	<b>A04</b>  44x	<b>A13</b>  4x	<b>A12</b>  1x
<b>C01</b>  4x	<b>C04</b>  4x	<b>A18</b>  16x	<b>A32</b>  2x	<b>A11</b>  4x
<b>Z18</b>  2x	<b>A16</b>  2x	<b>A17</b>  2x	<b>A08</b>  4x	<b>A06</b>  C1-12X C2-28X



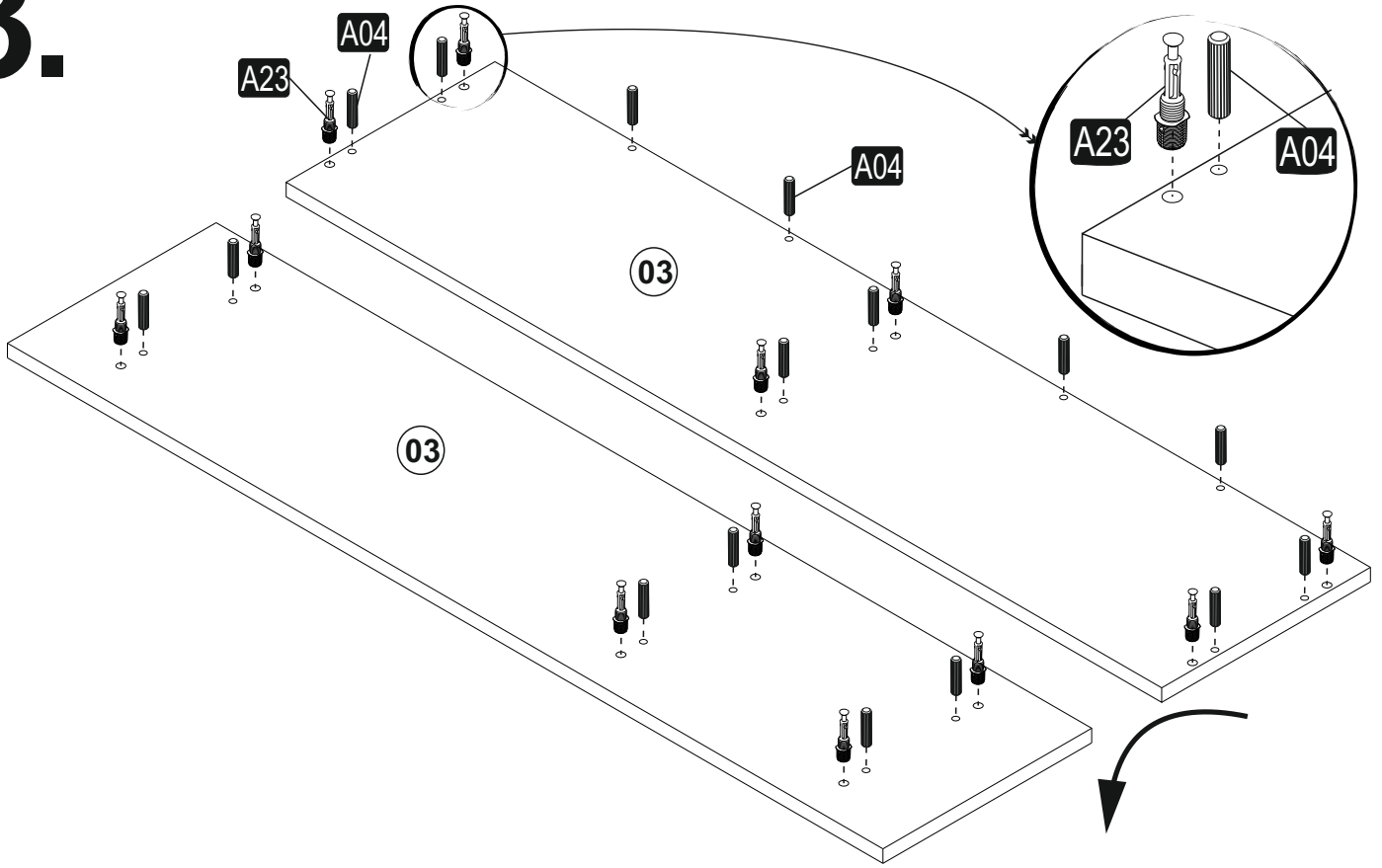
# 1.



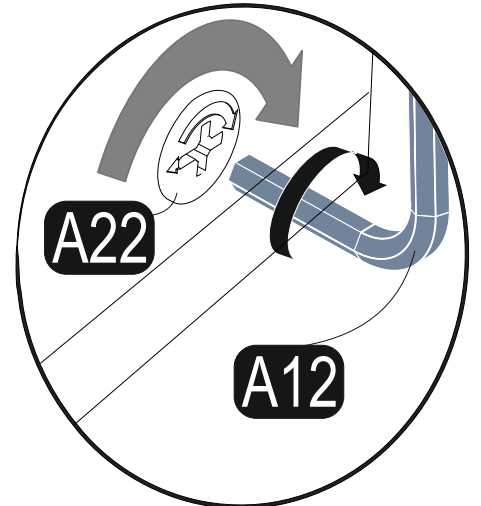
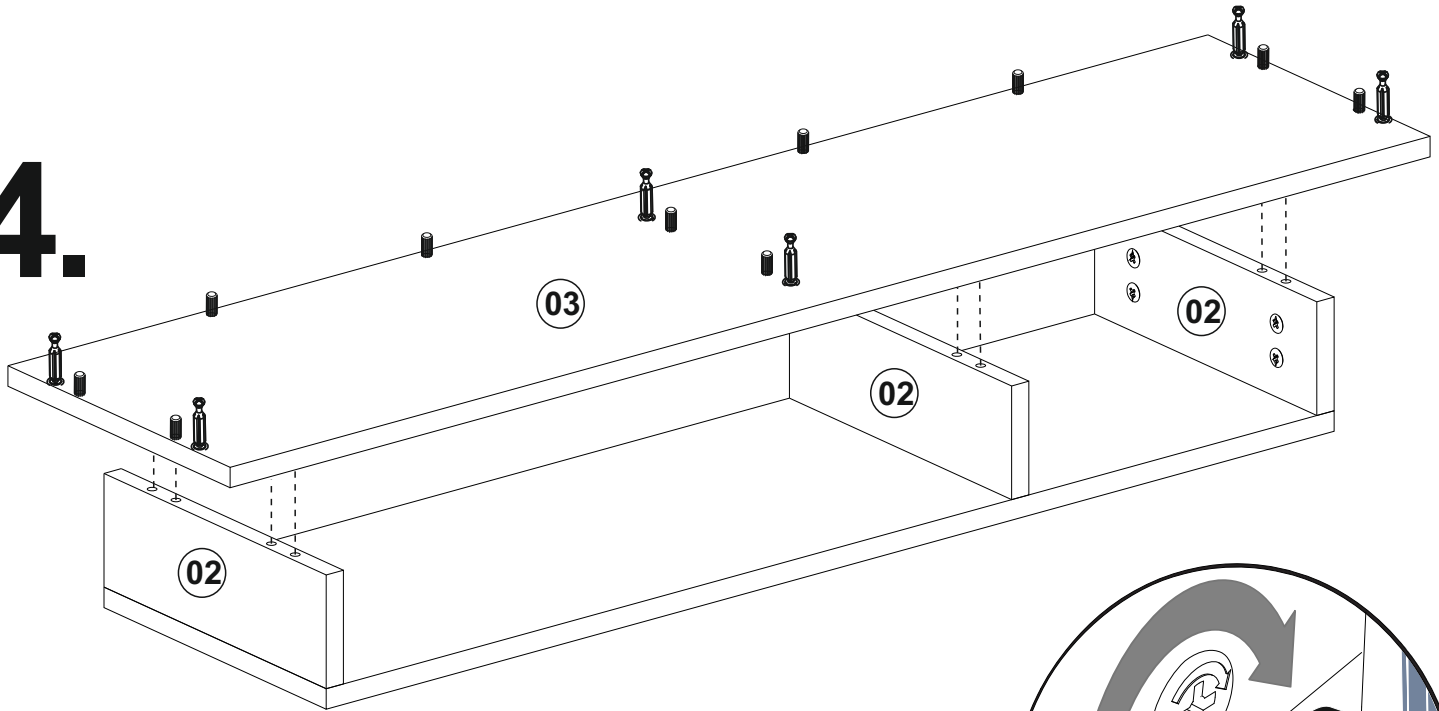
# 2.



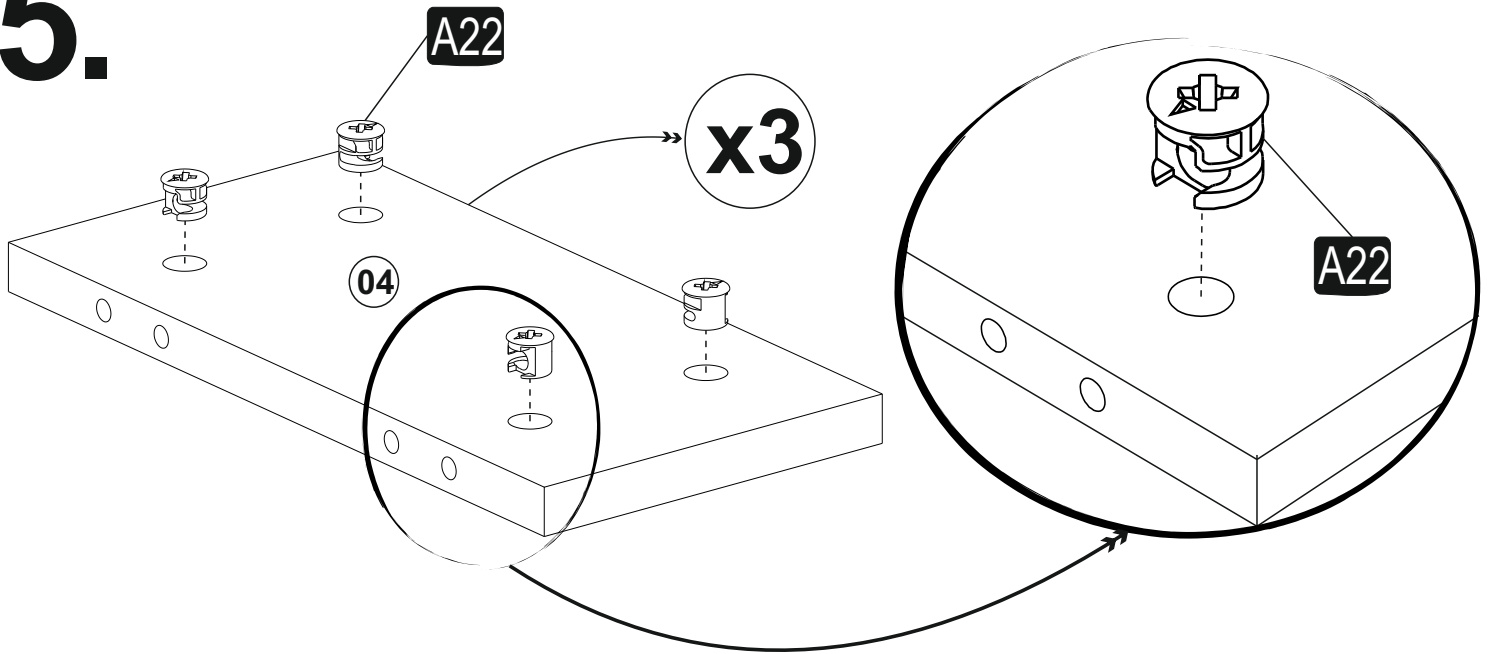
# 3.



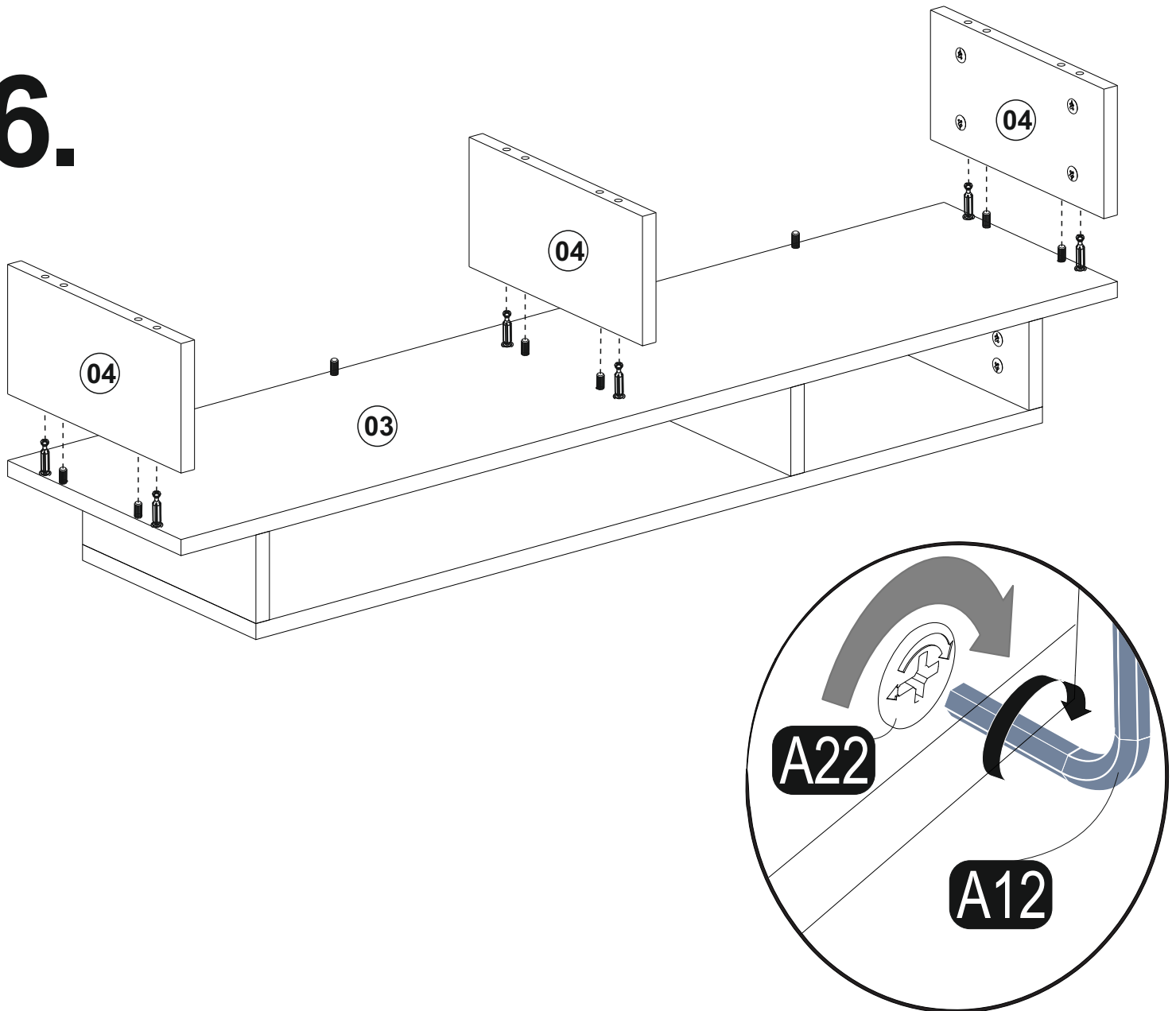
# 4.



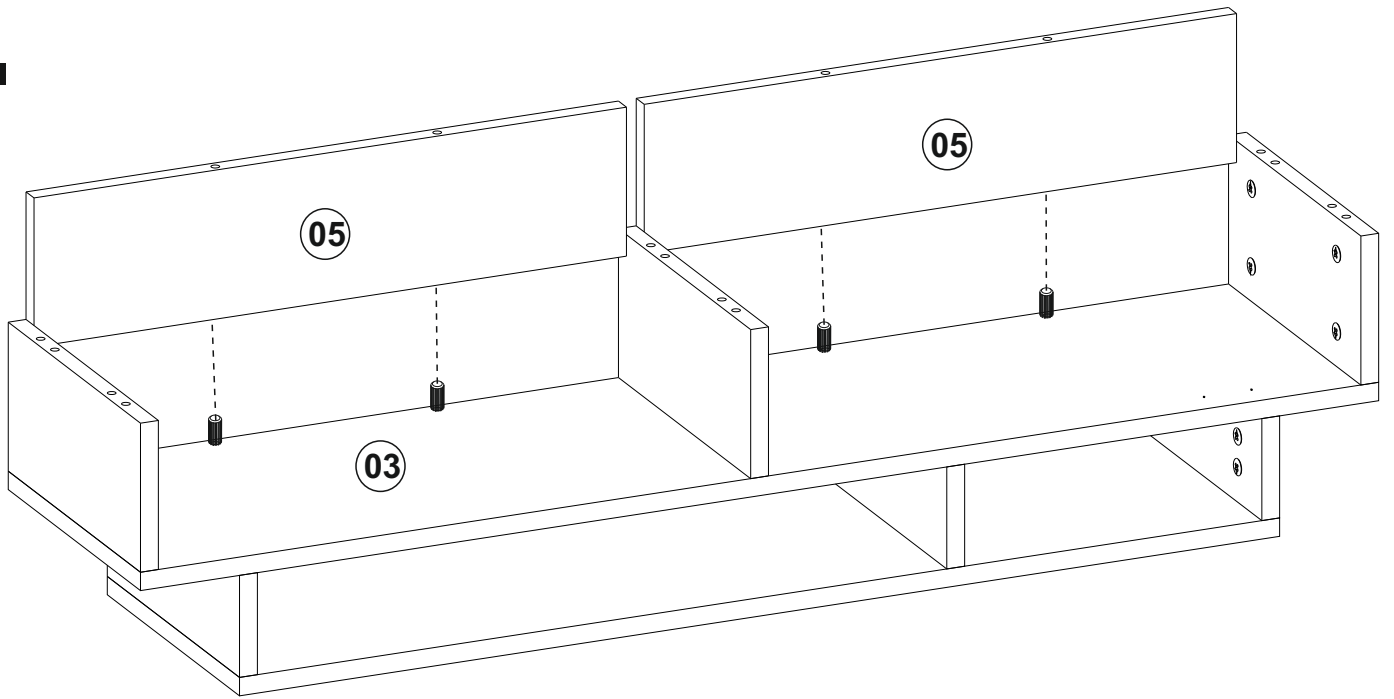
# 5.



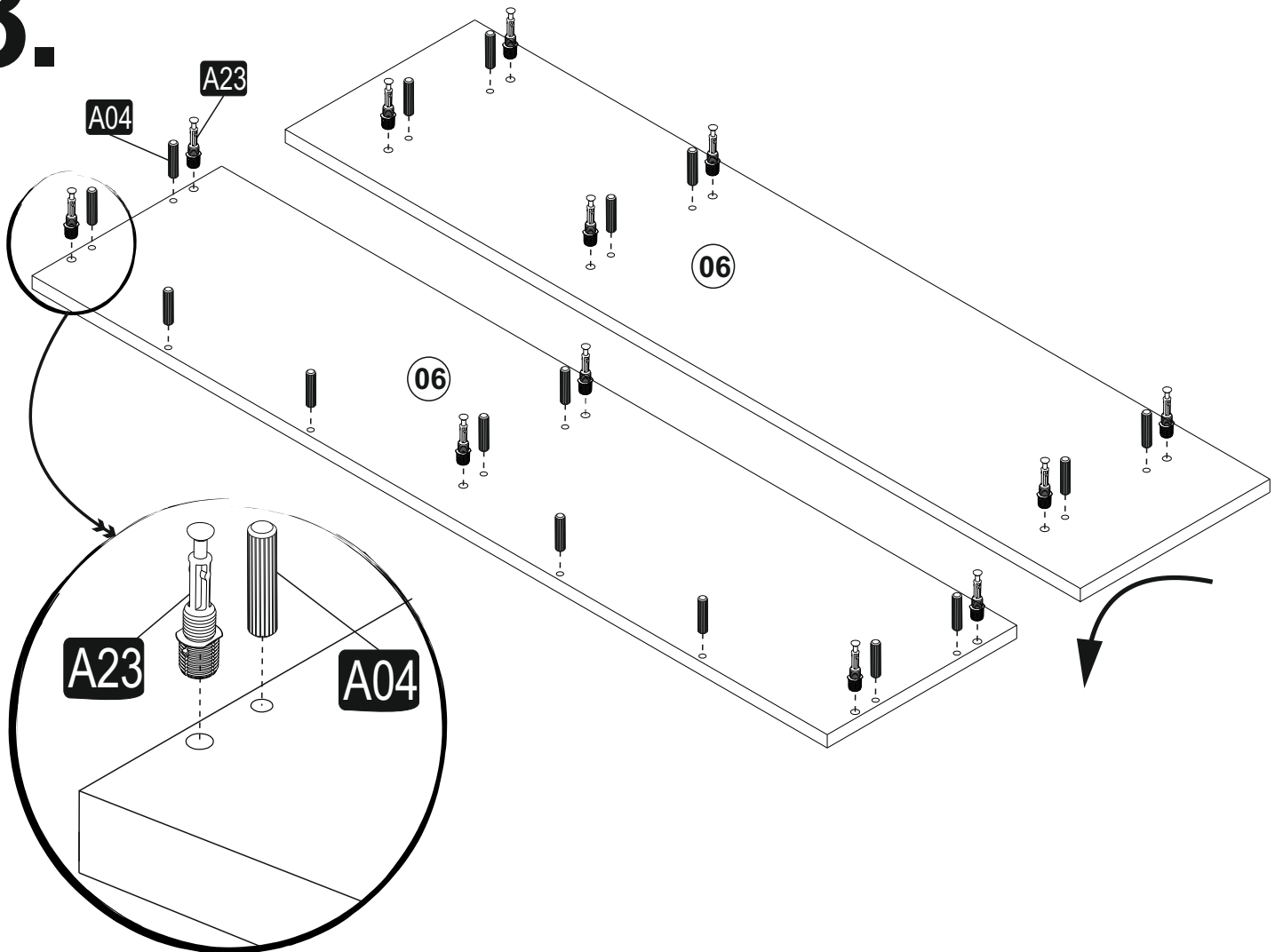
# 6.



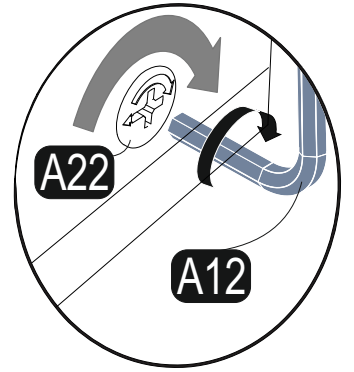
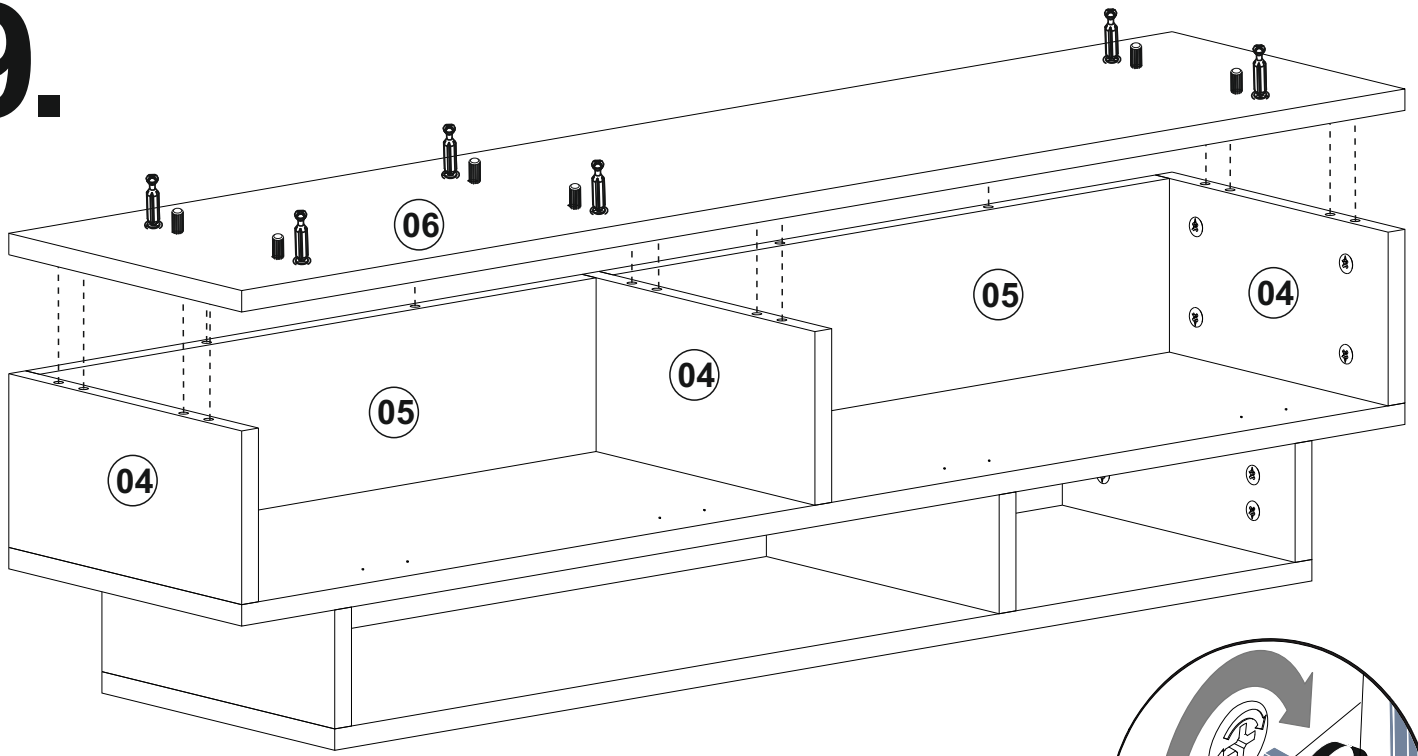
# 7.



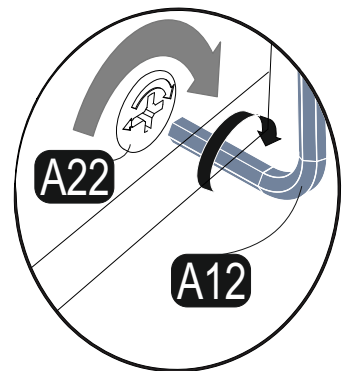
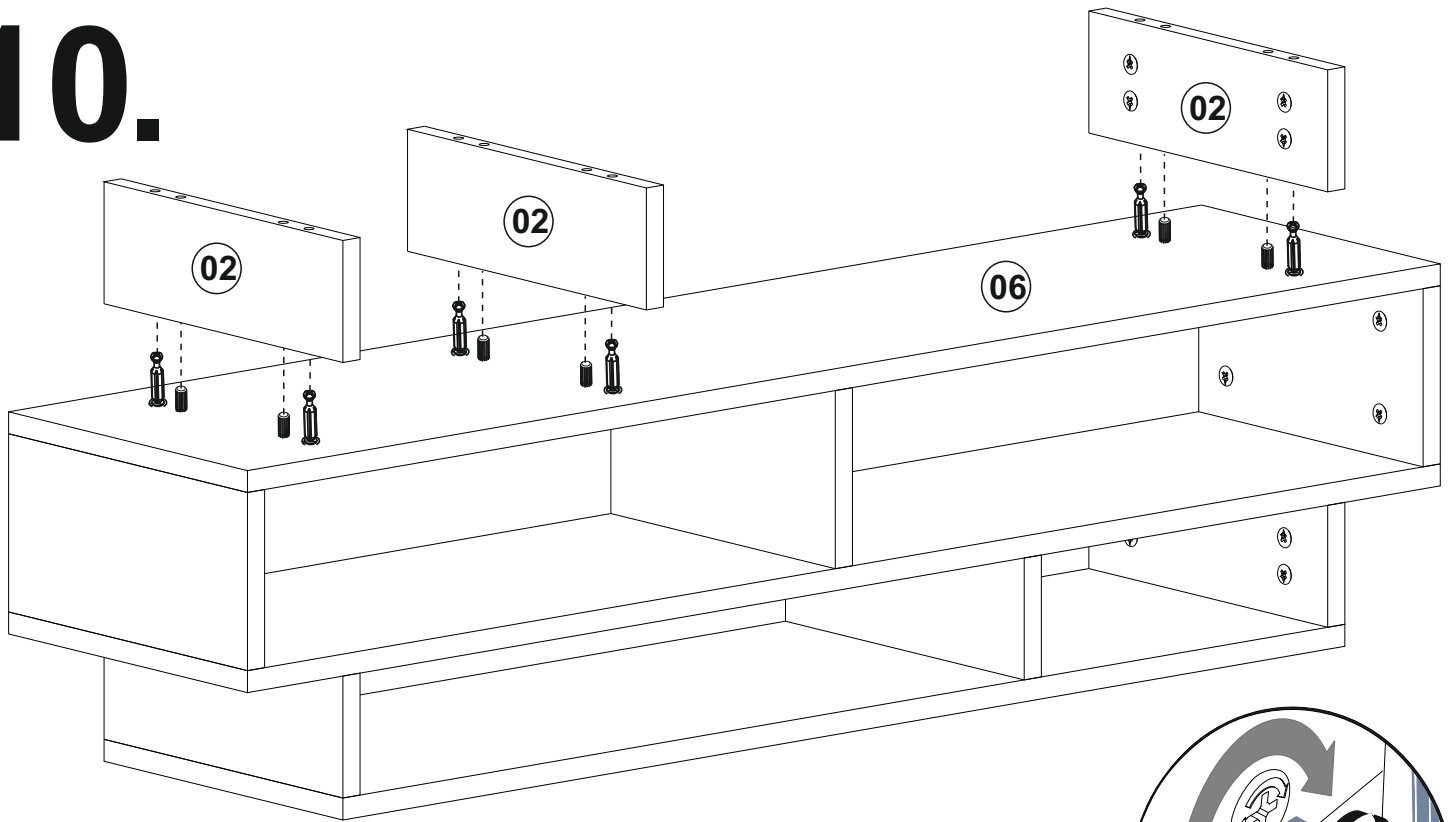
# 8.



# 9.

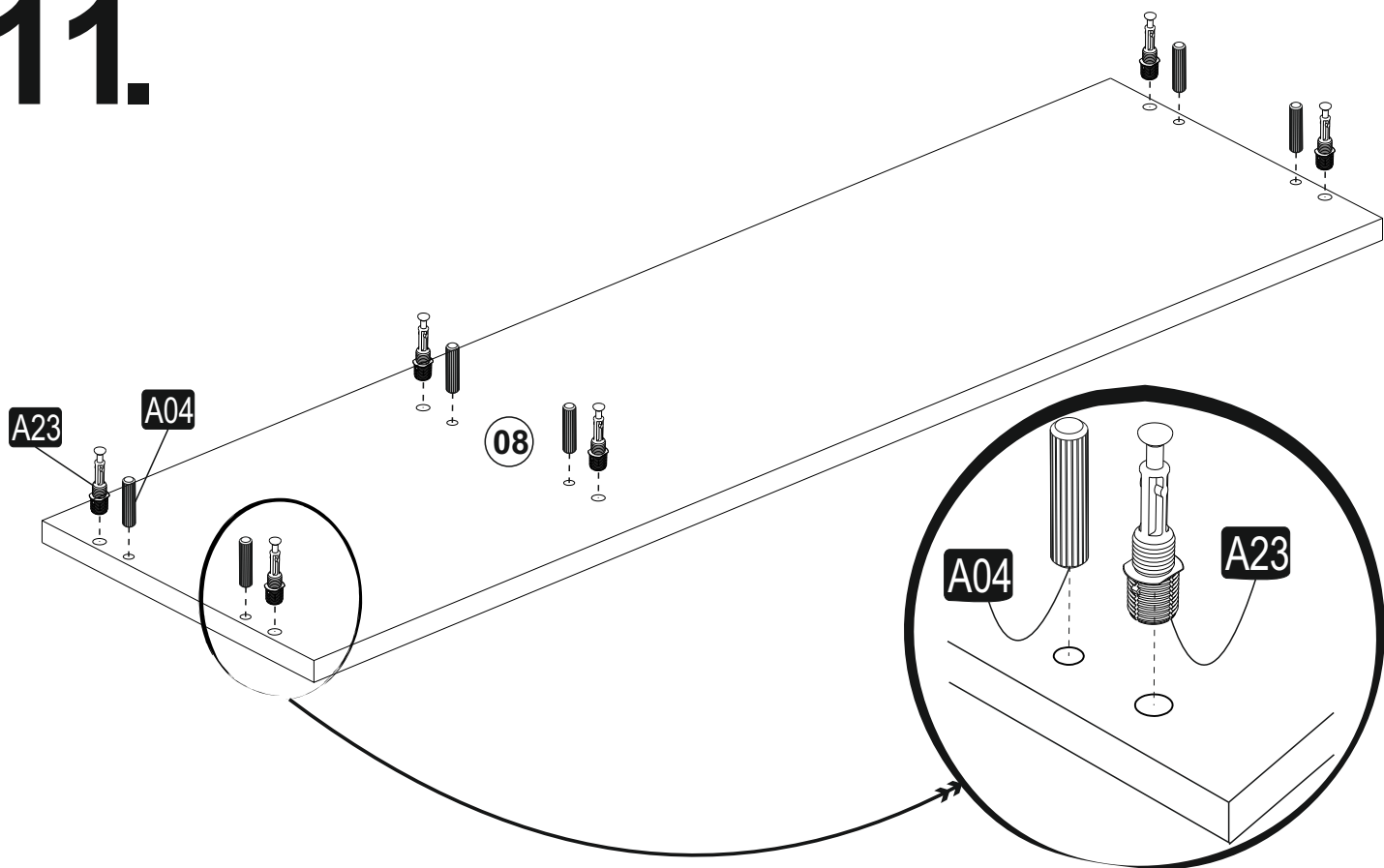


# 10.

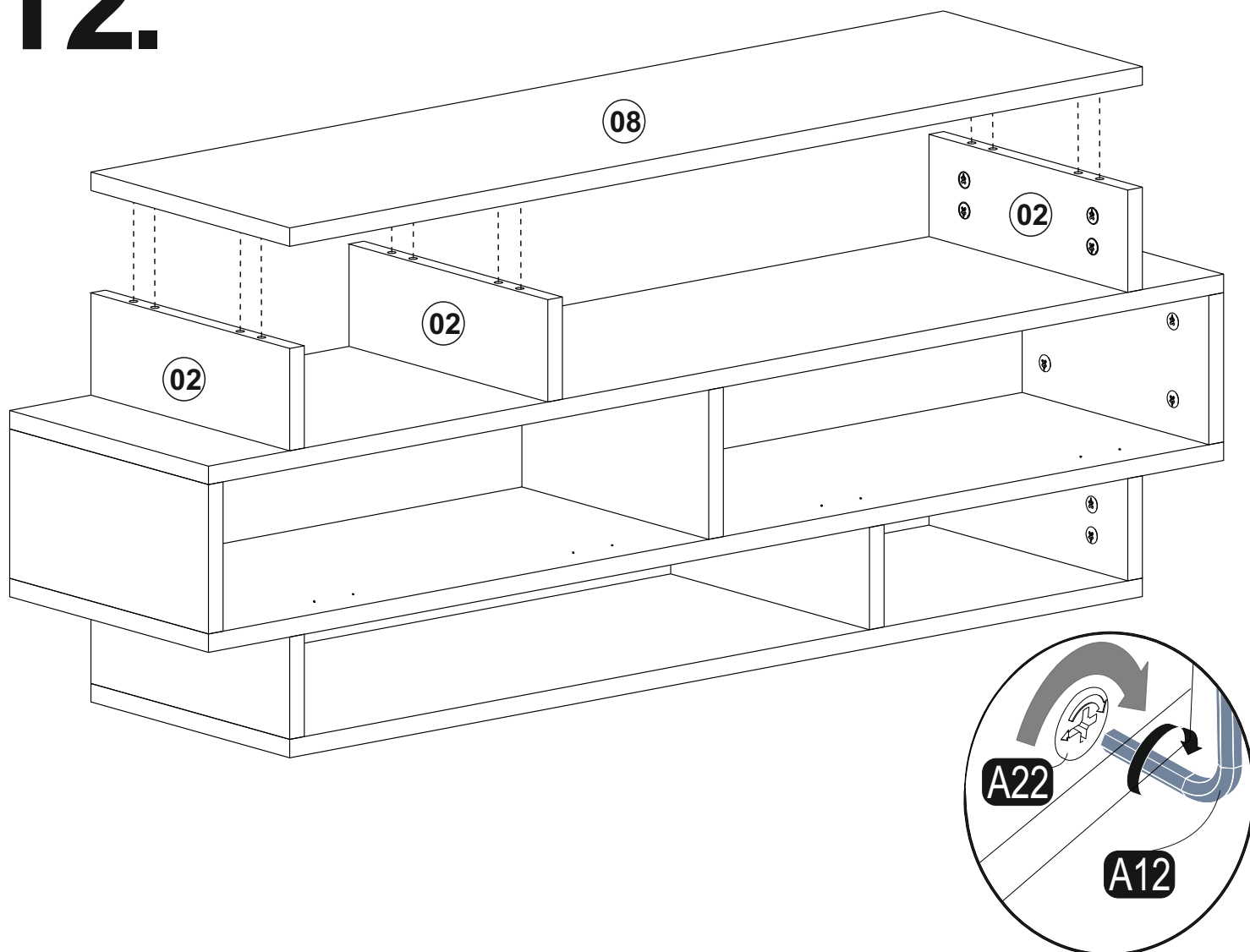




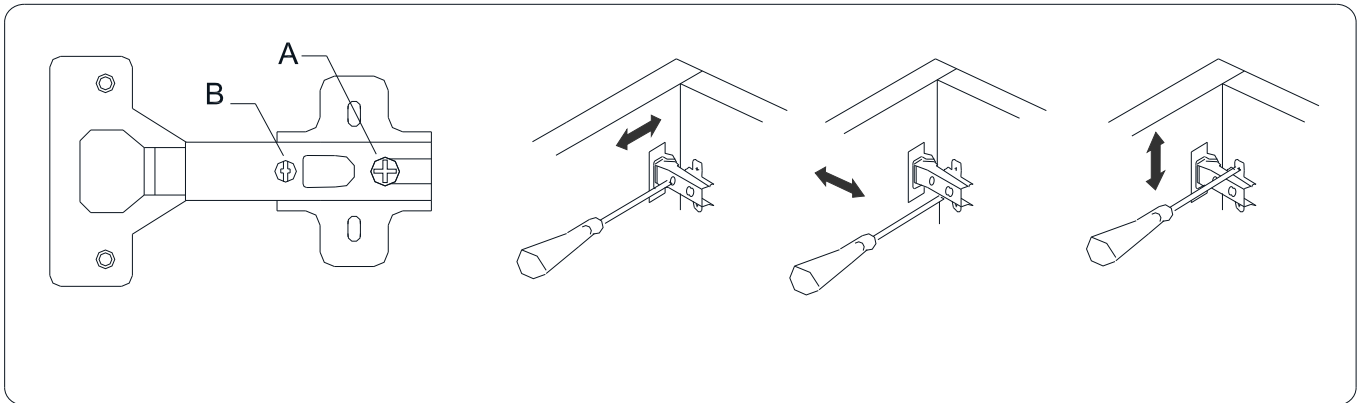
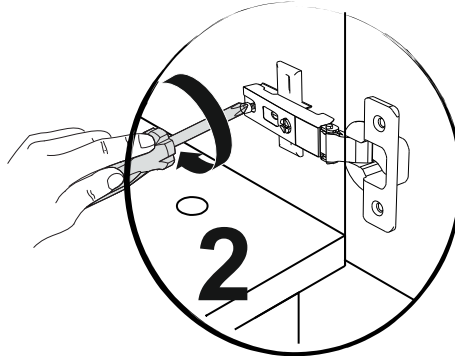
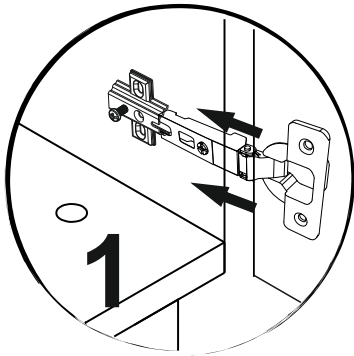
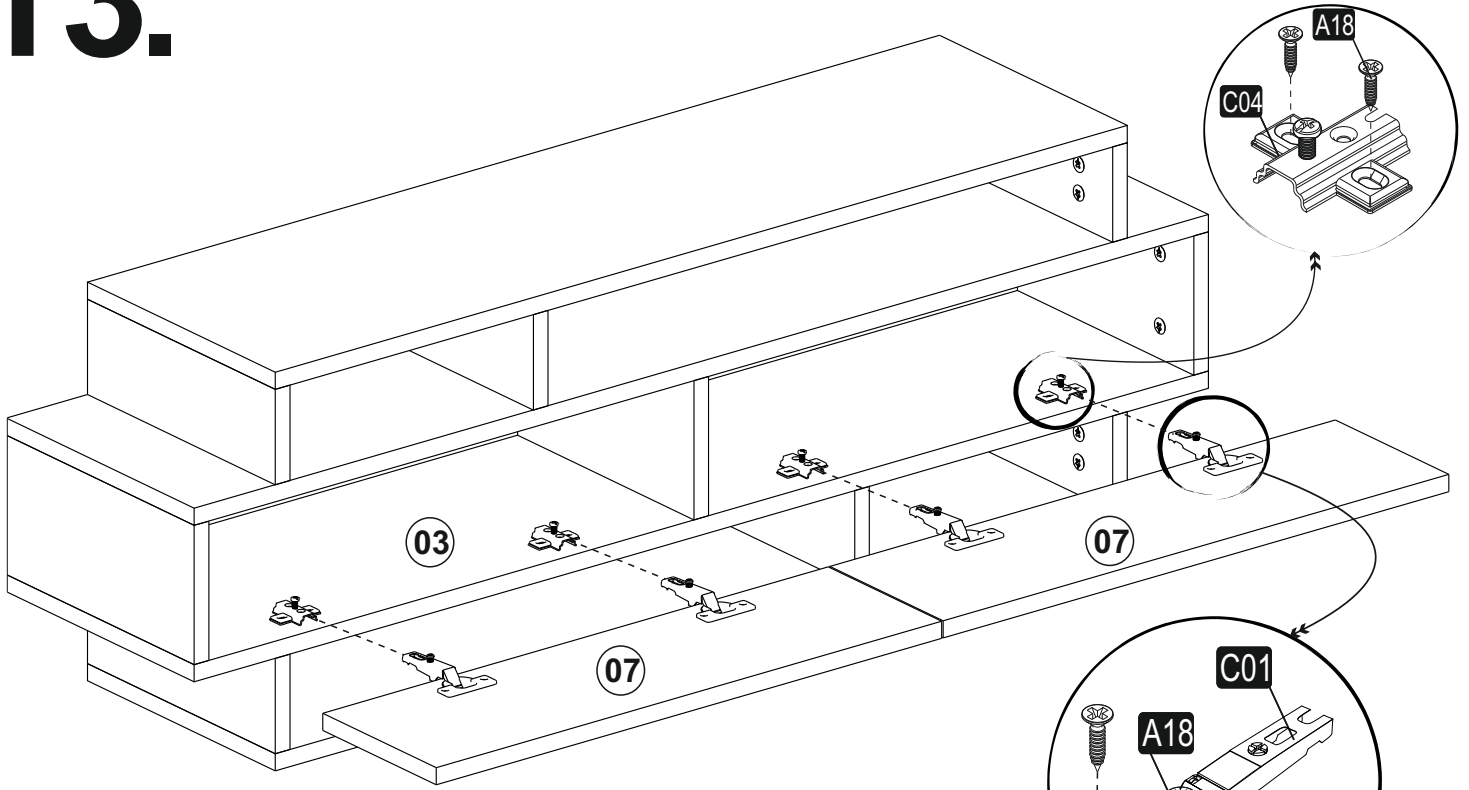
# 11.



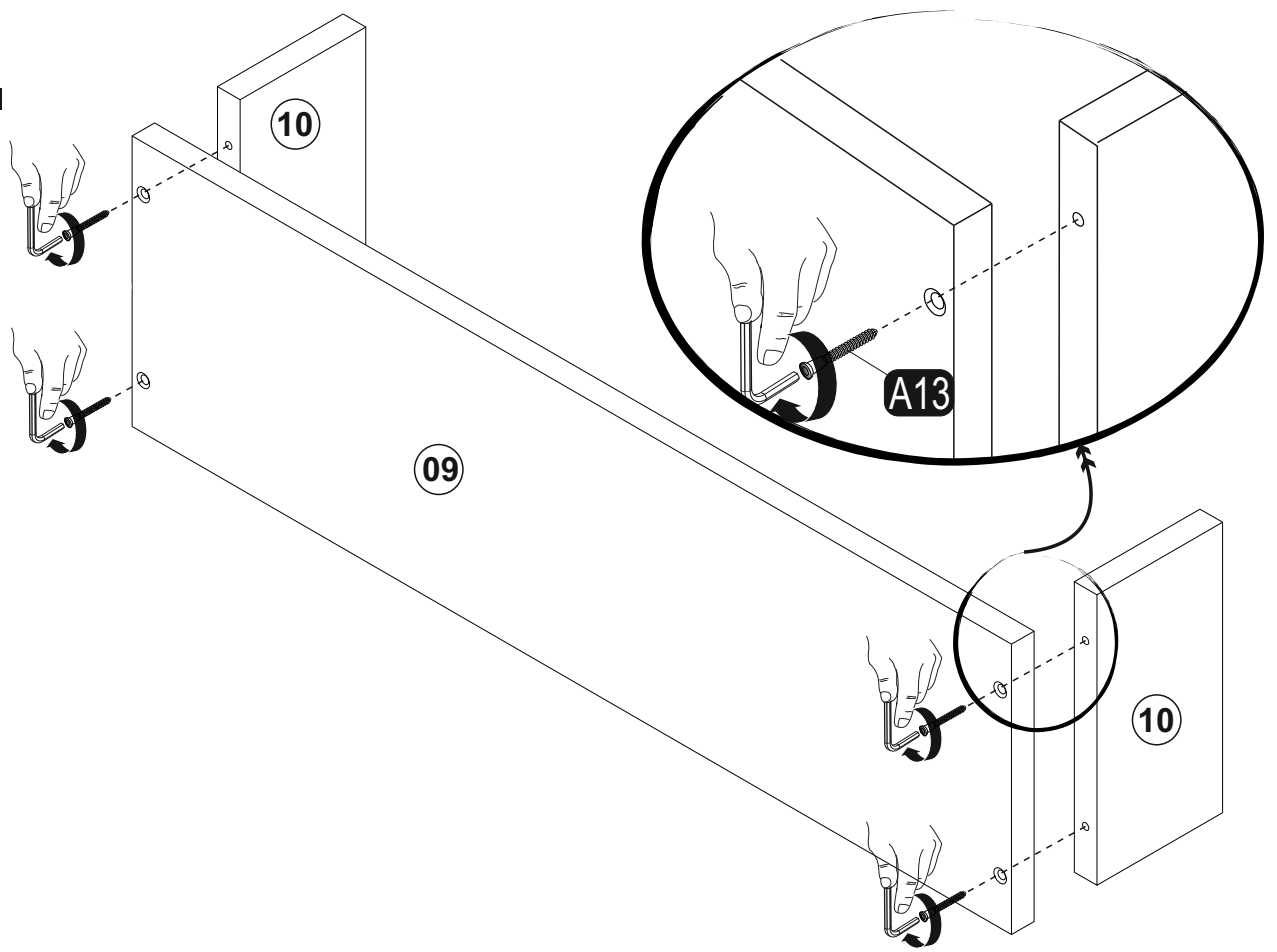
# 12.



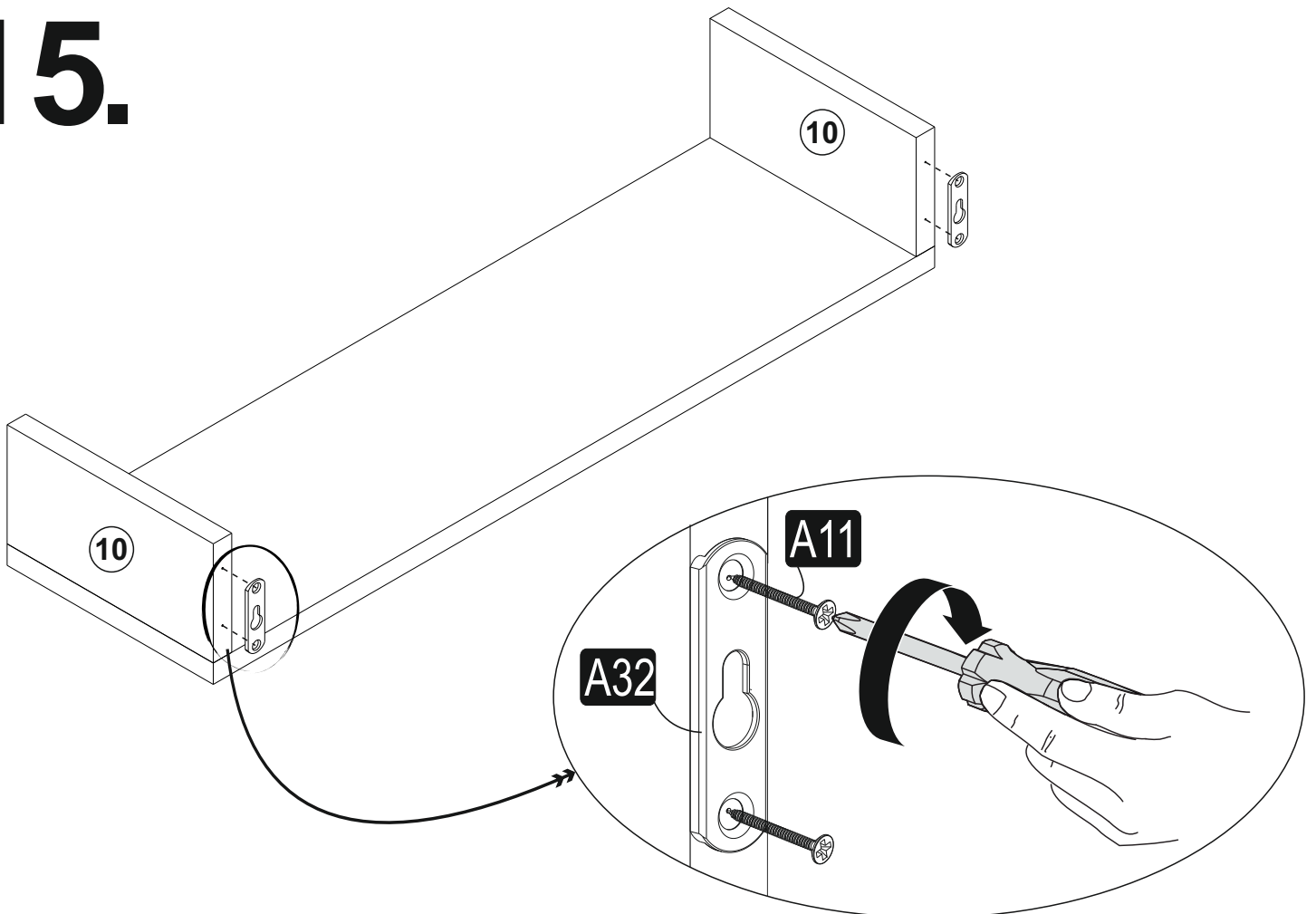
# 13.



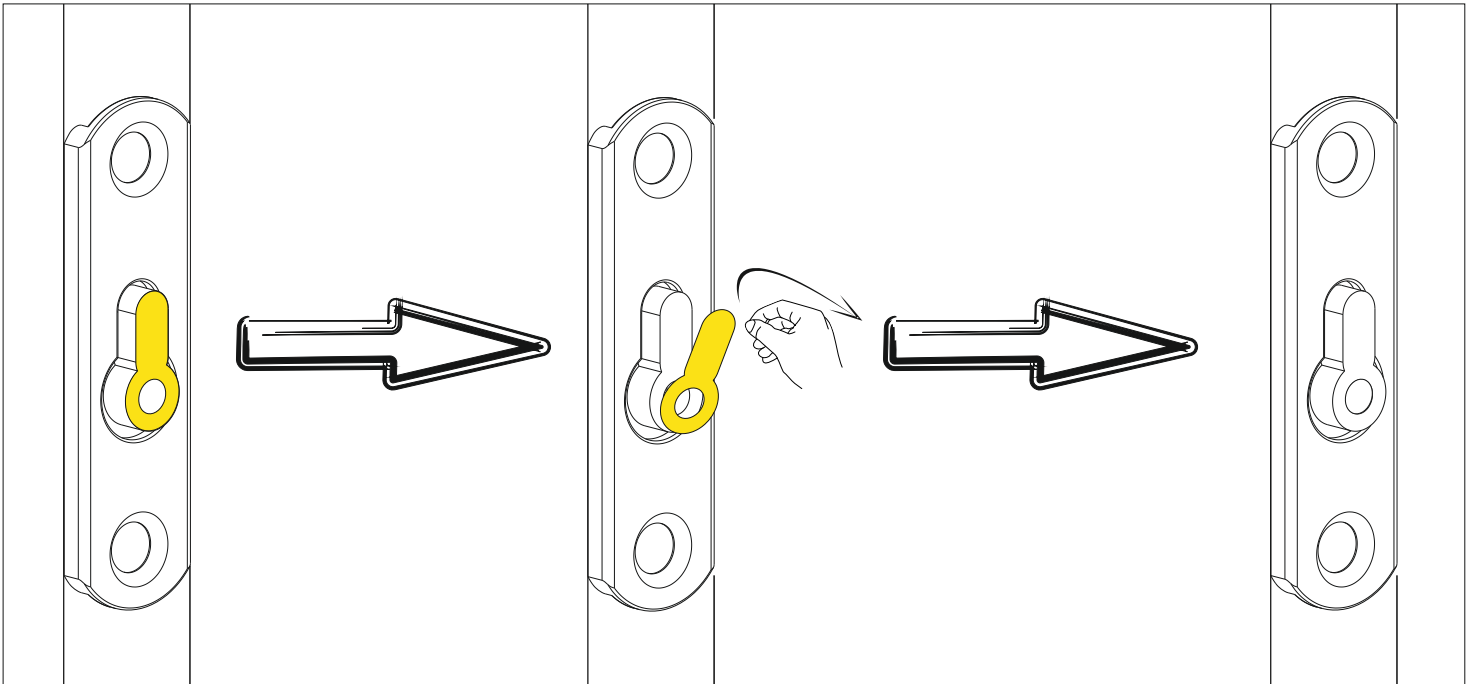
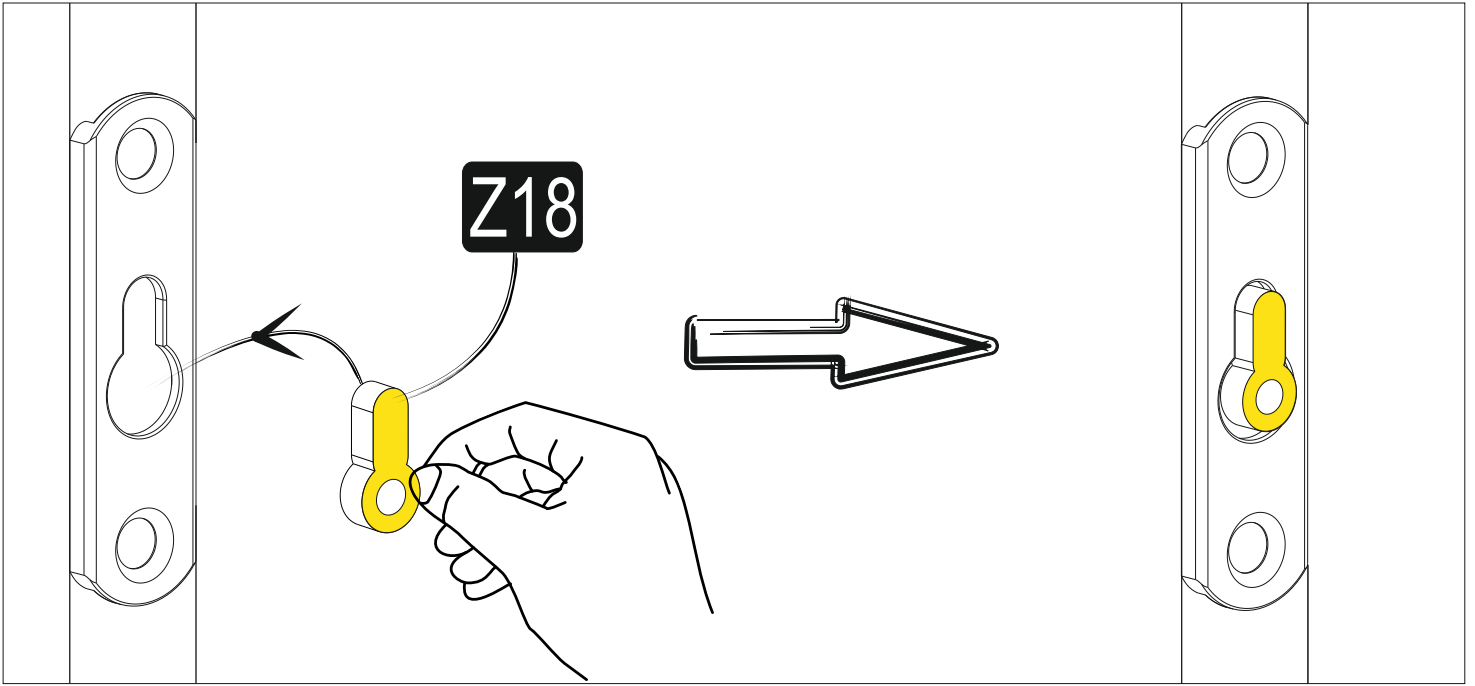
# 14.



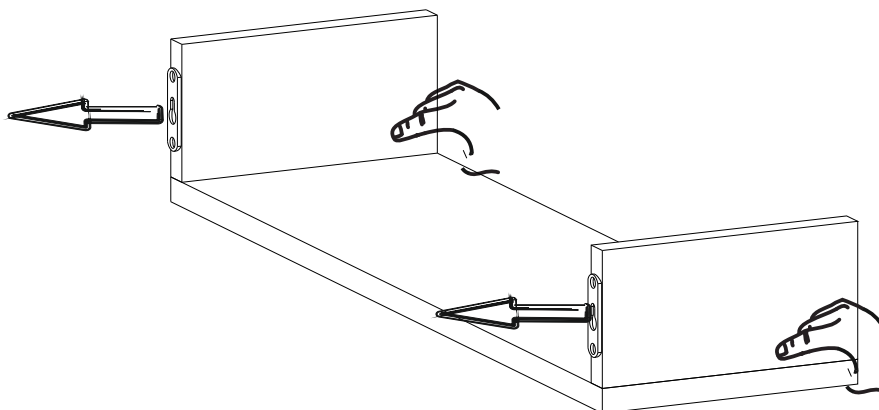
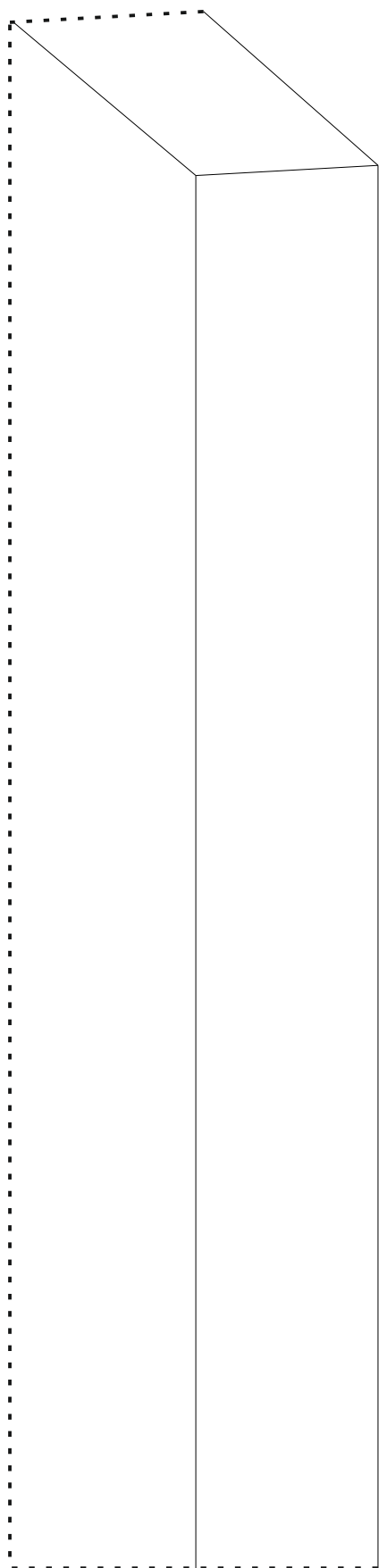
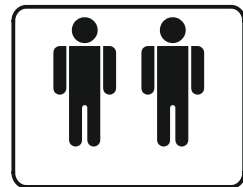
# 15.



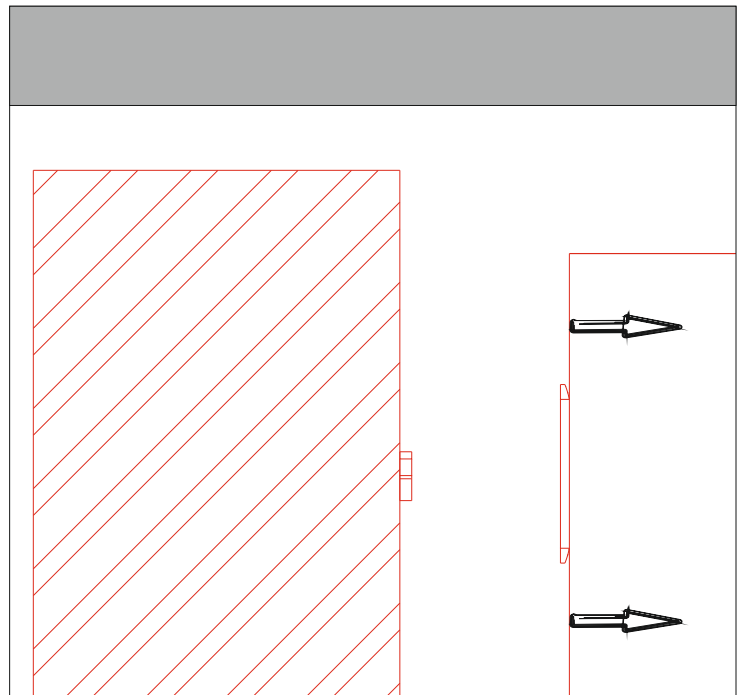
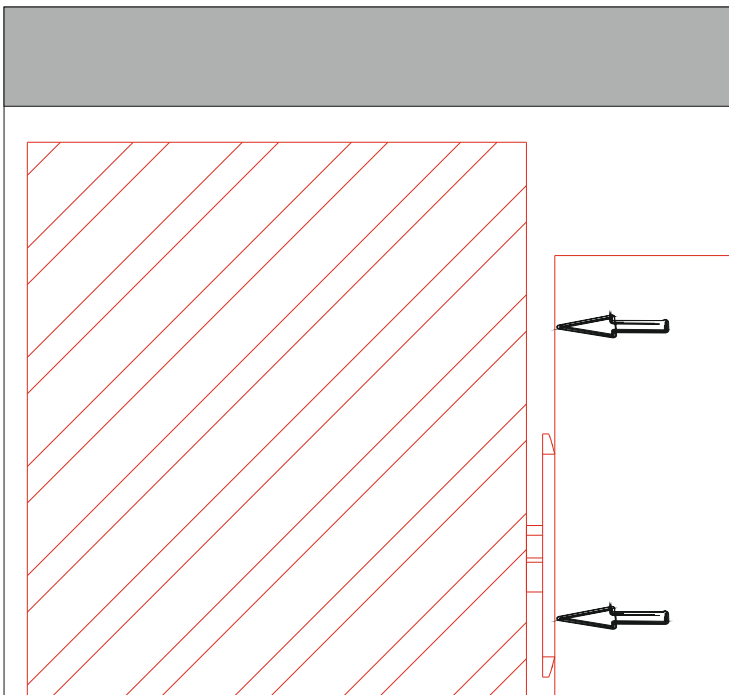
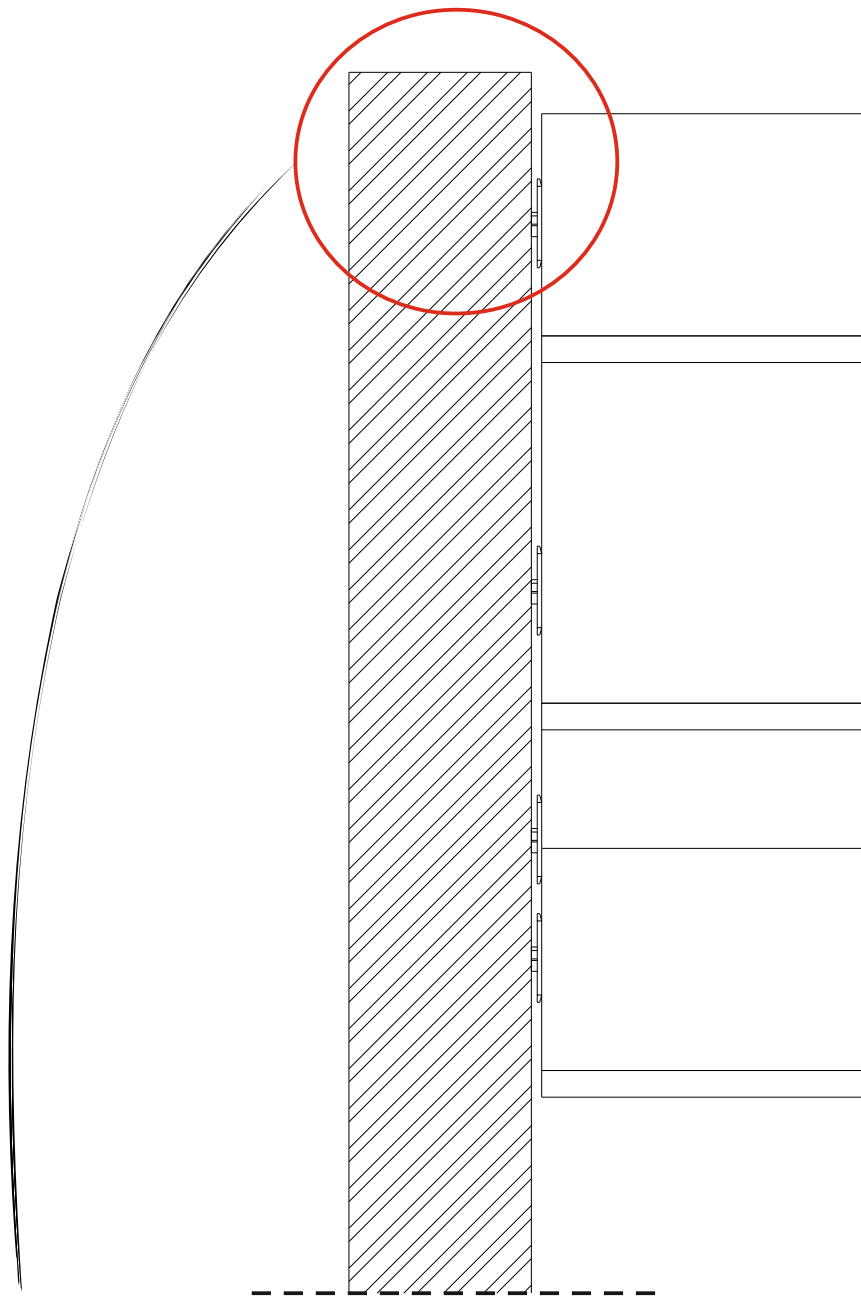
# 16.



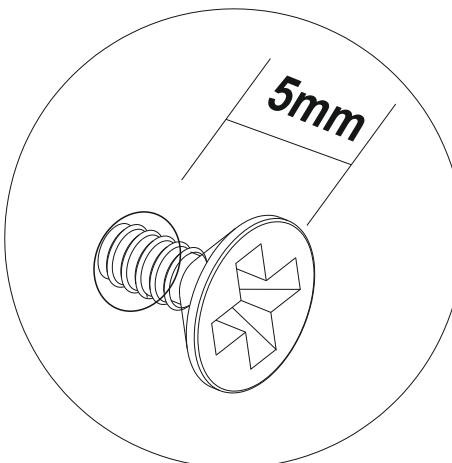
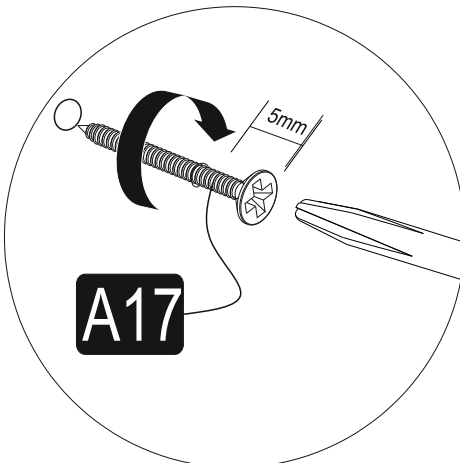
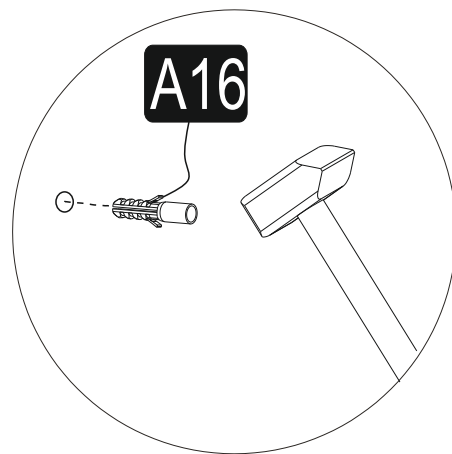
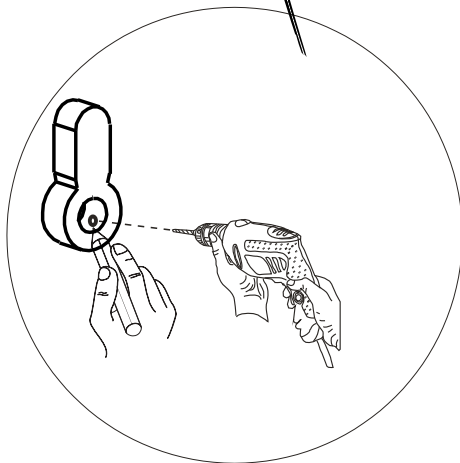
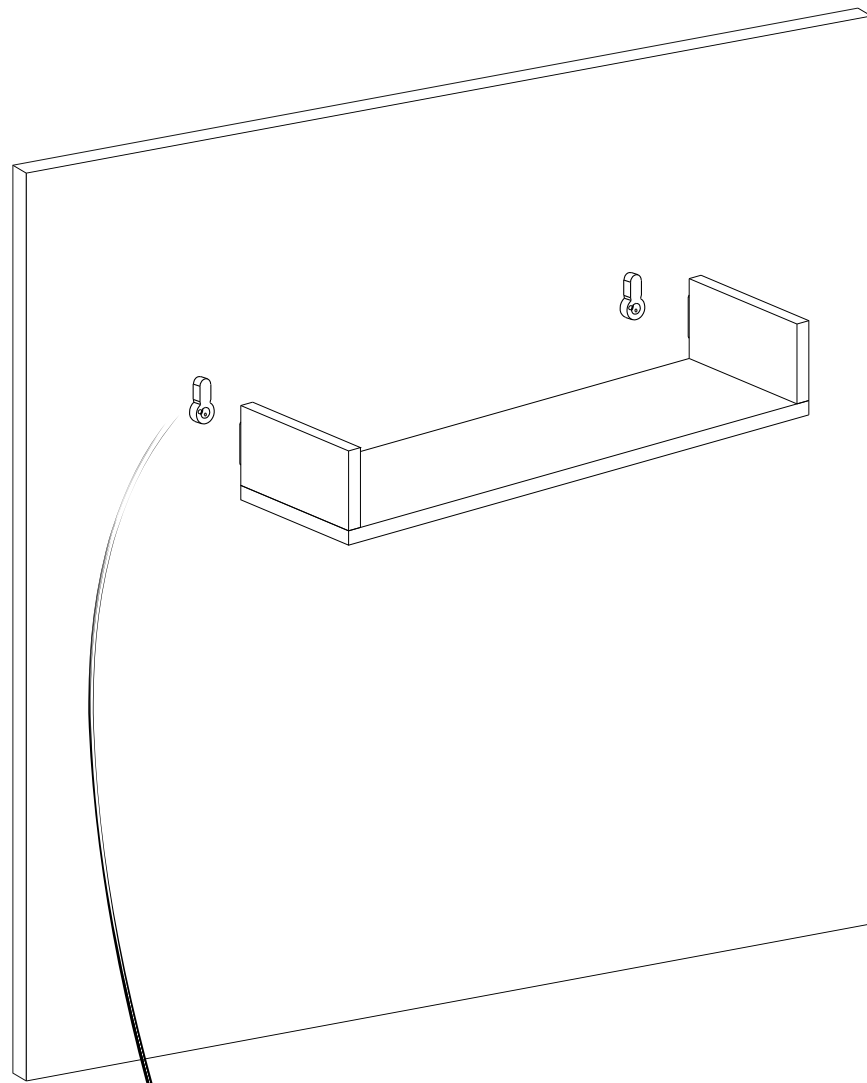
# 17.



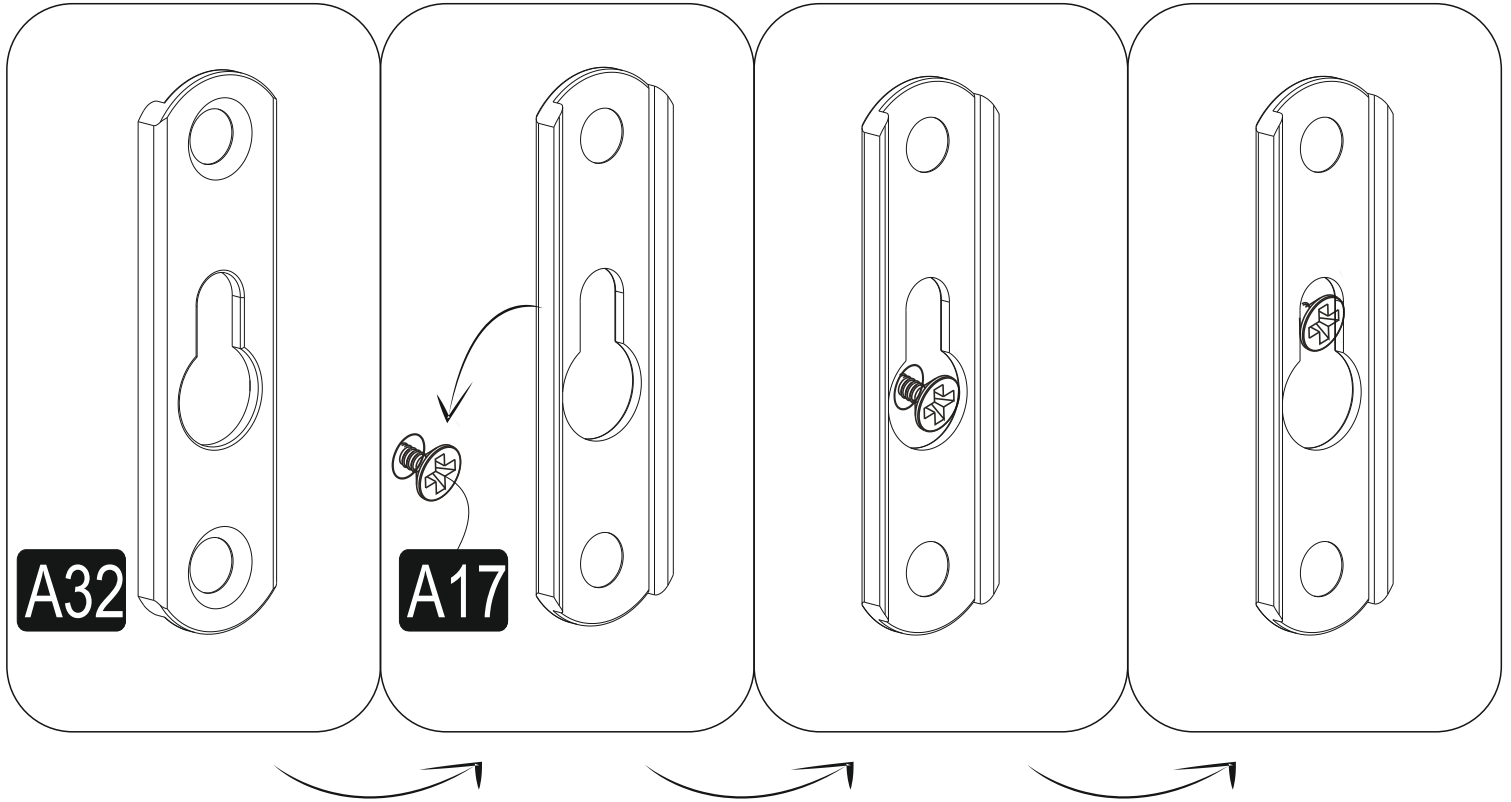
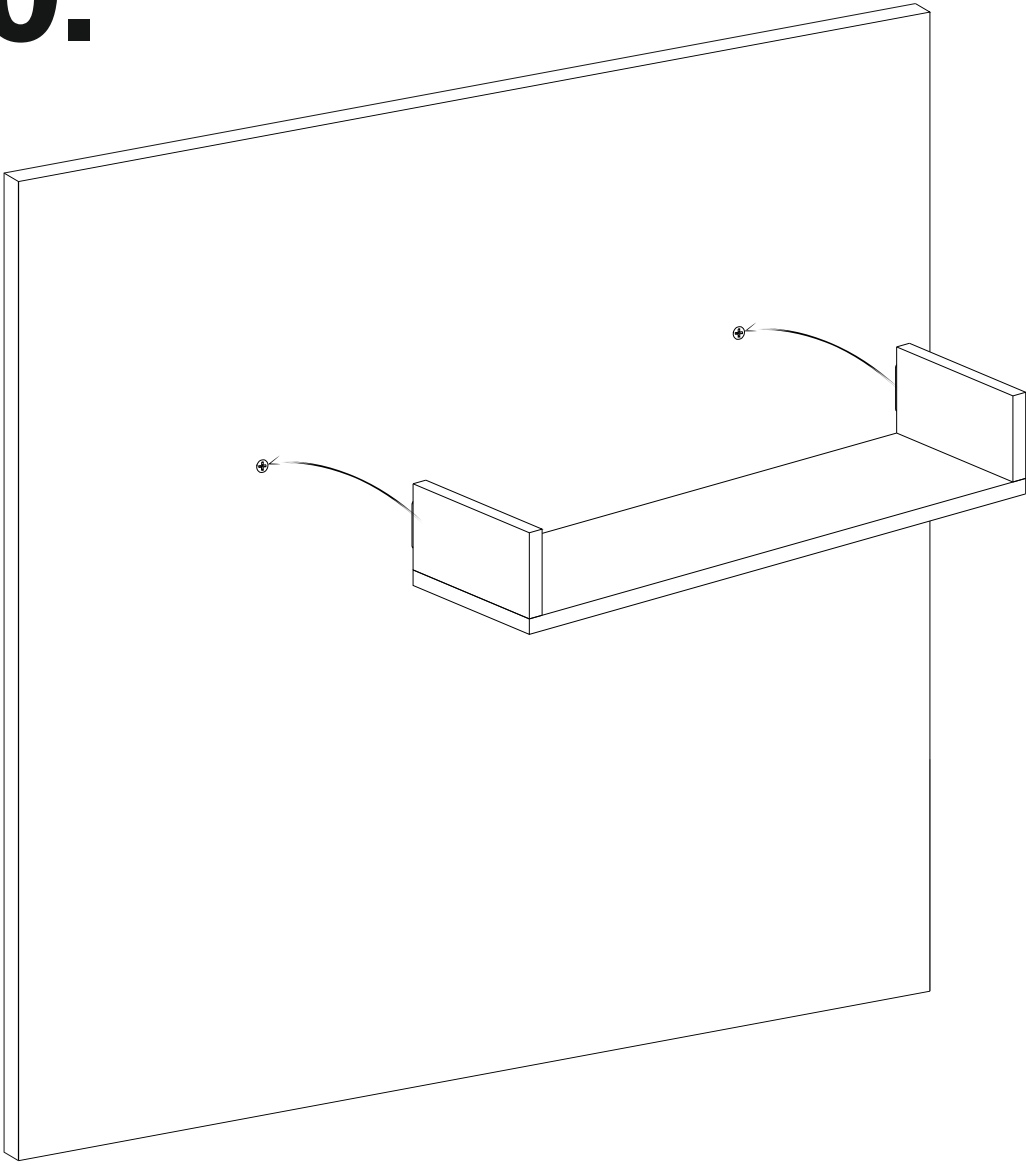
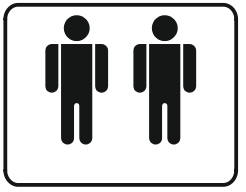
# 18.



# 19.

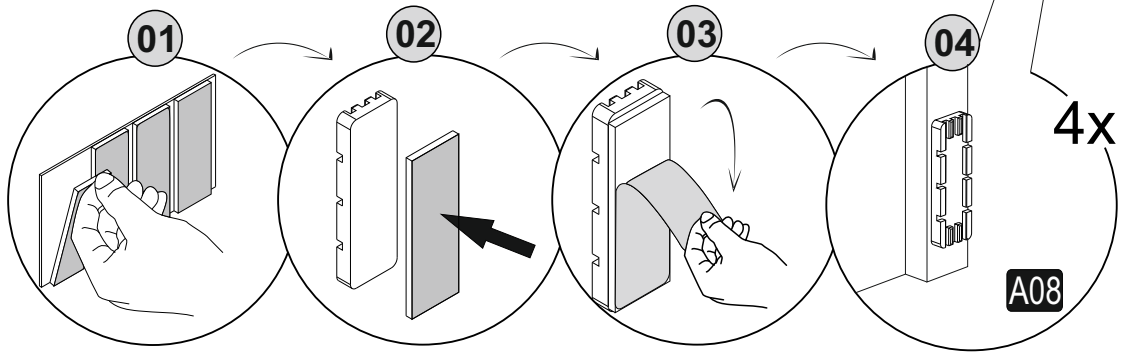
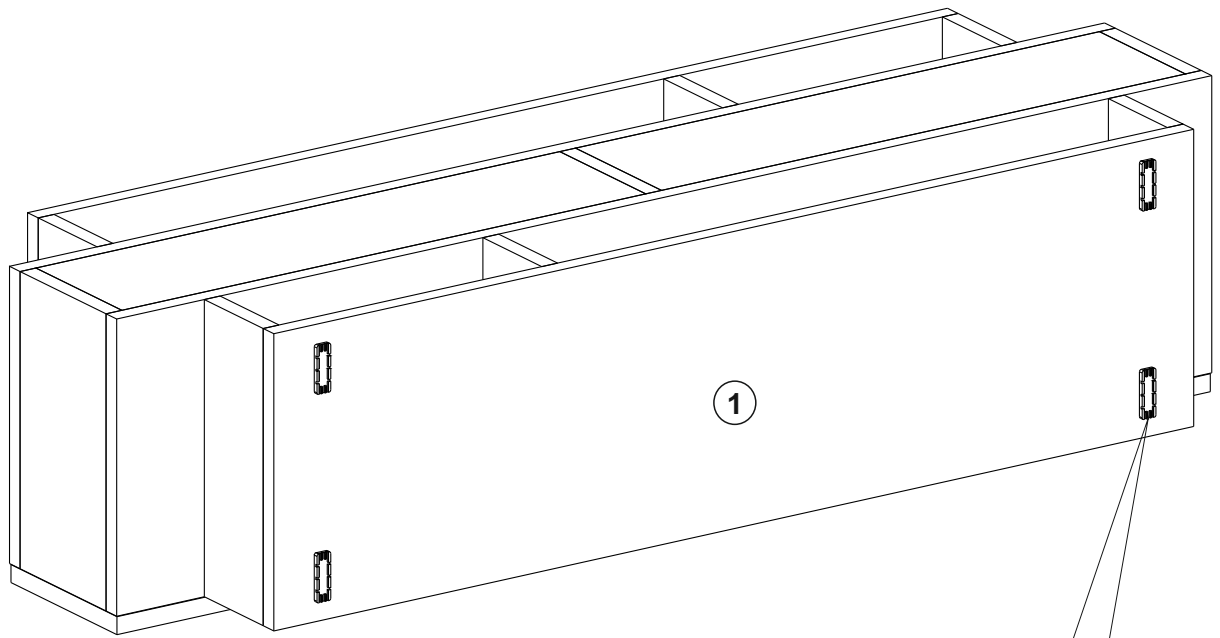


# 20.





# 21.



# 22.

