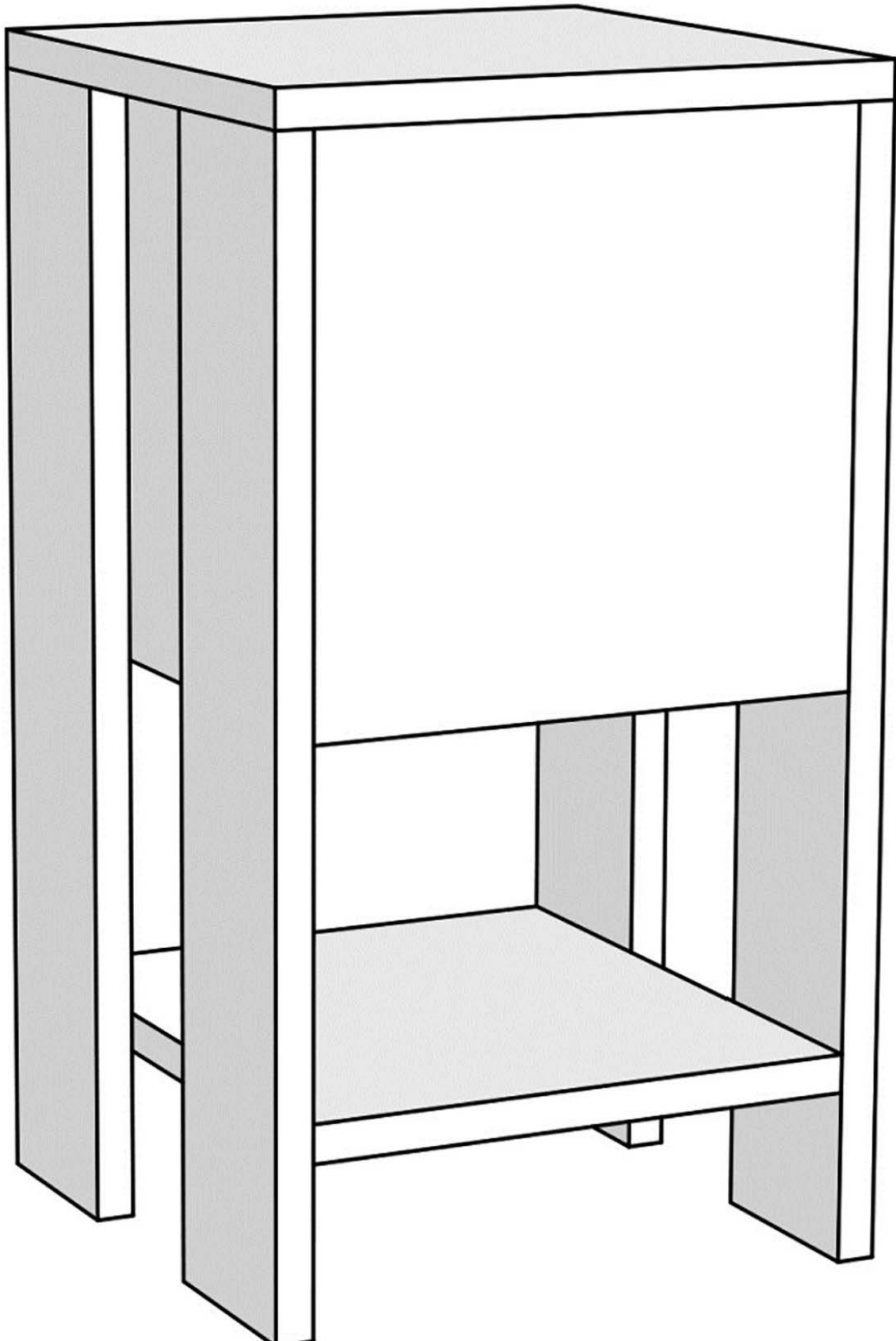
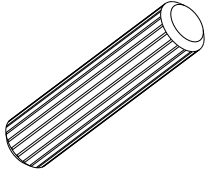


# LARK

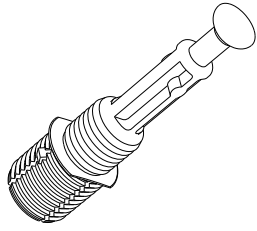
141086



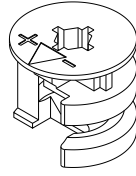
A04



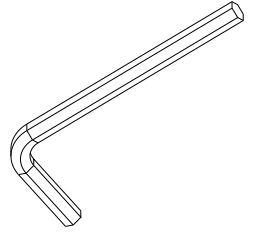
A23



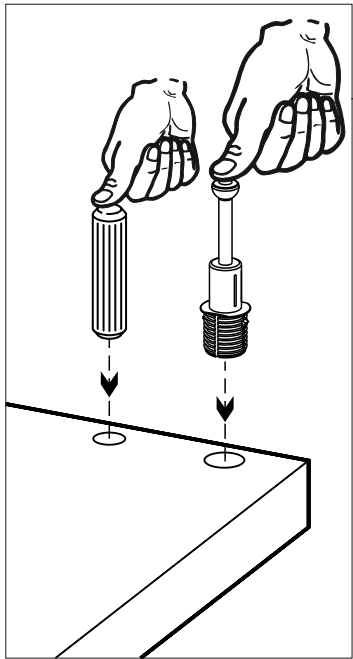
A22



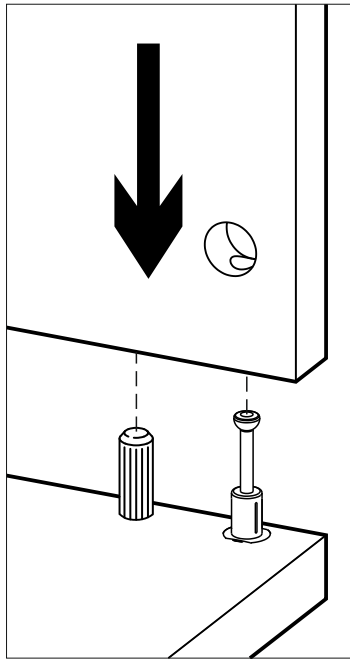
A12



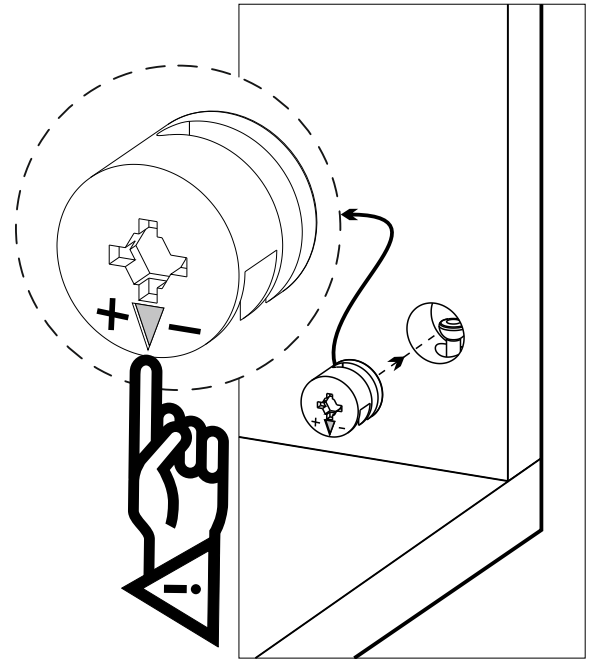
1



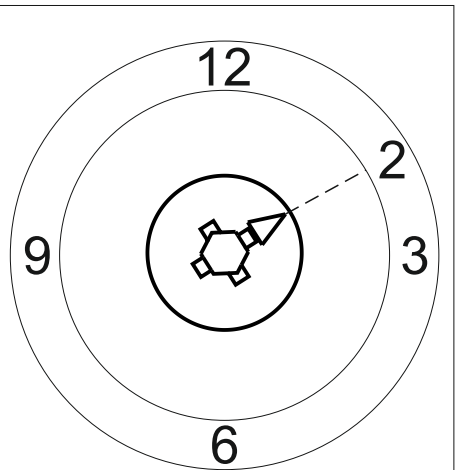
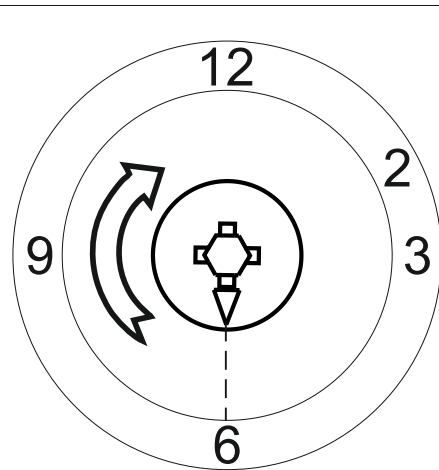
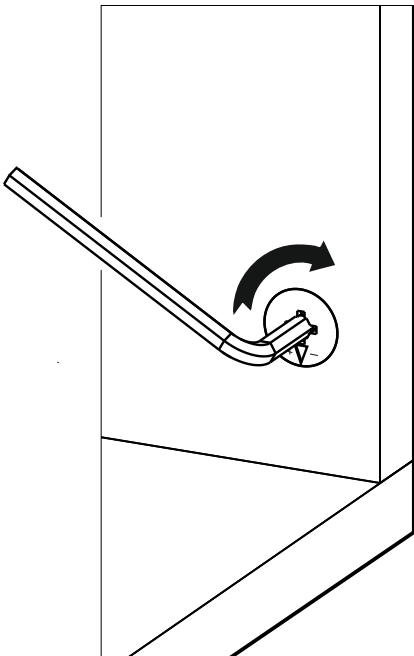
2

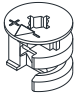
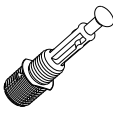
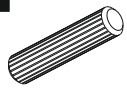

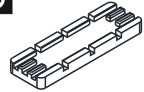


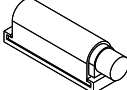
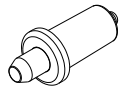
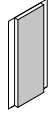
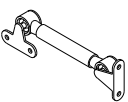




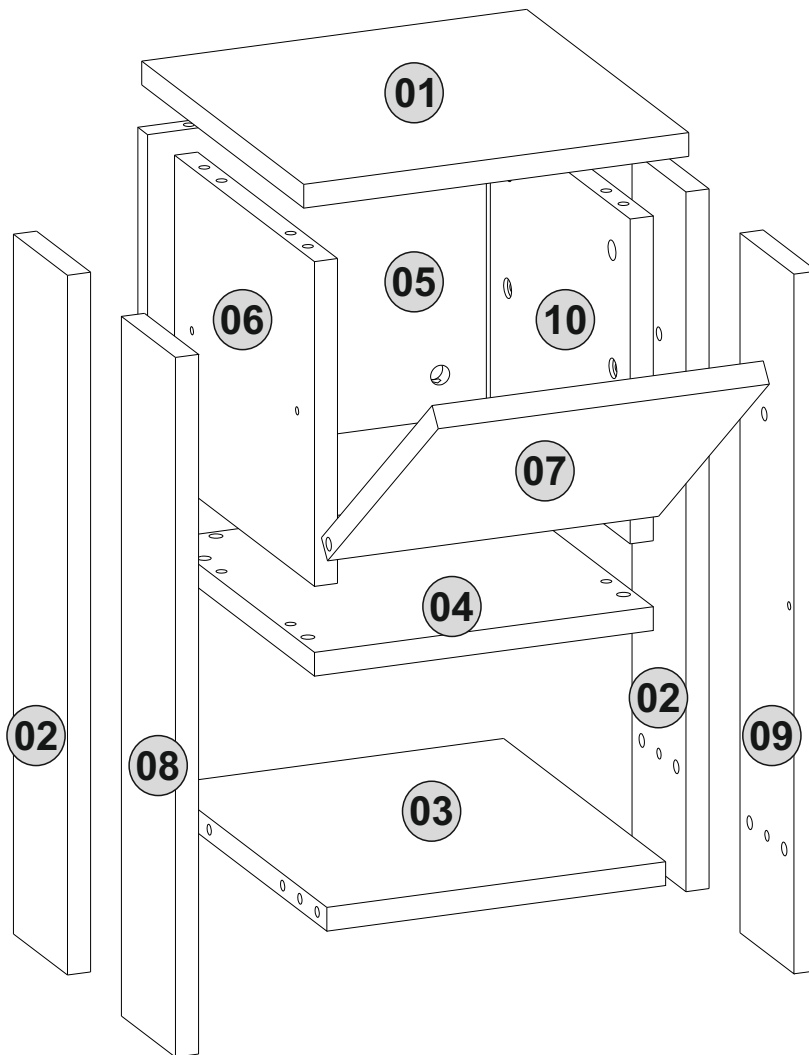
3

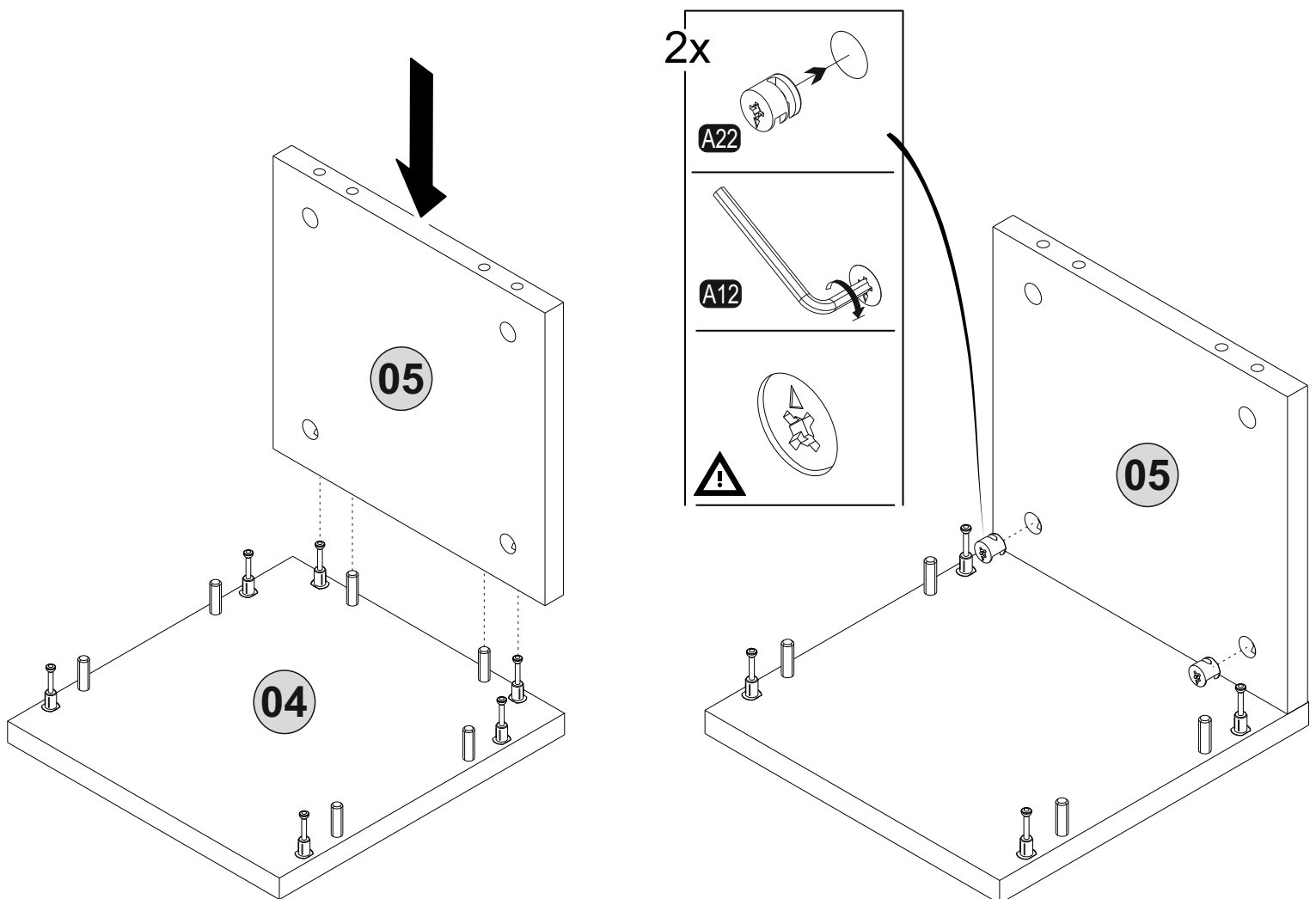
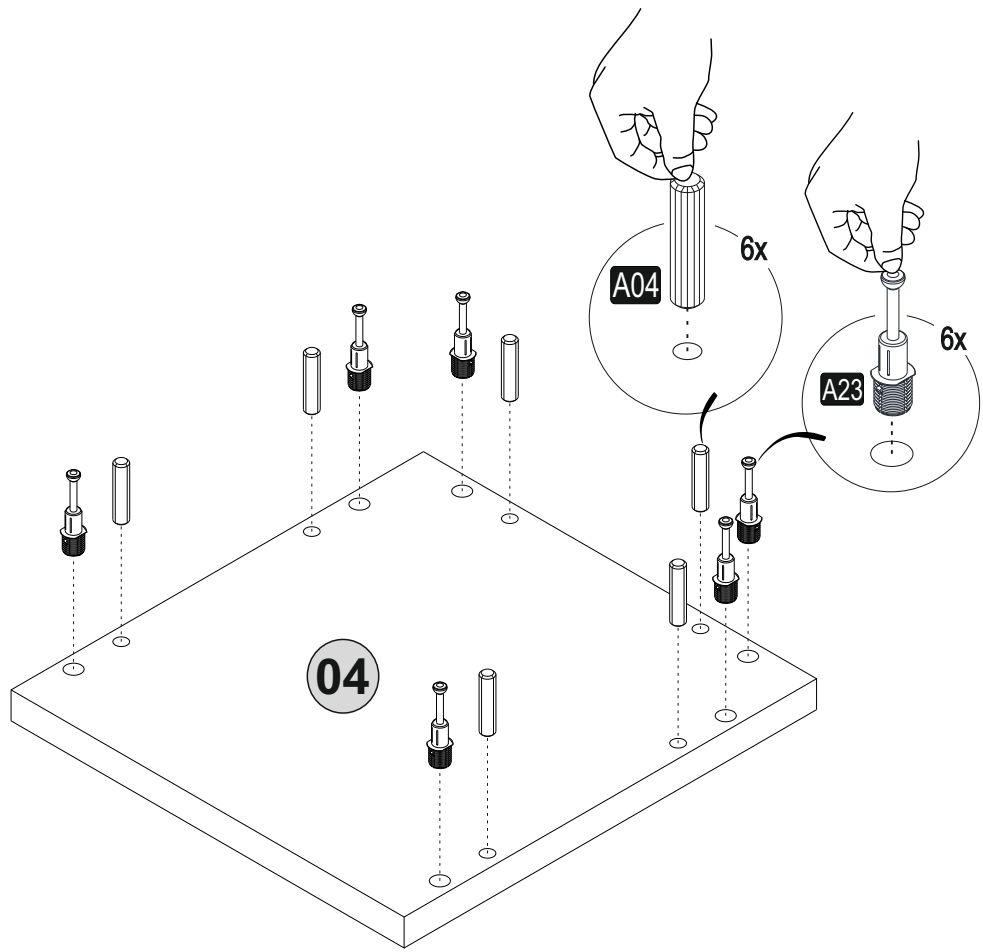


4

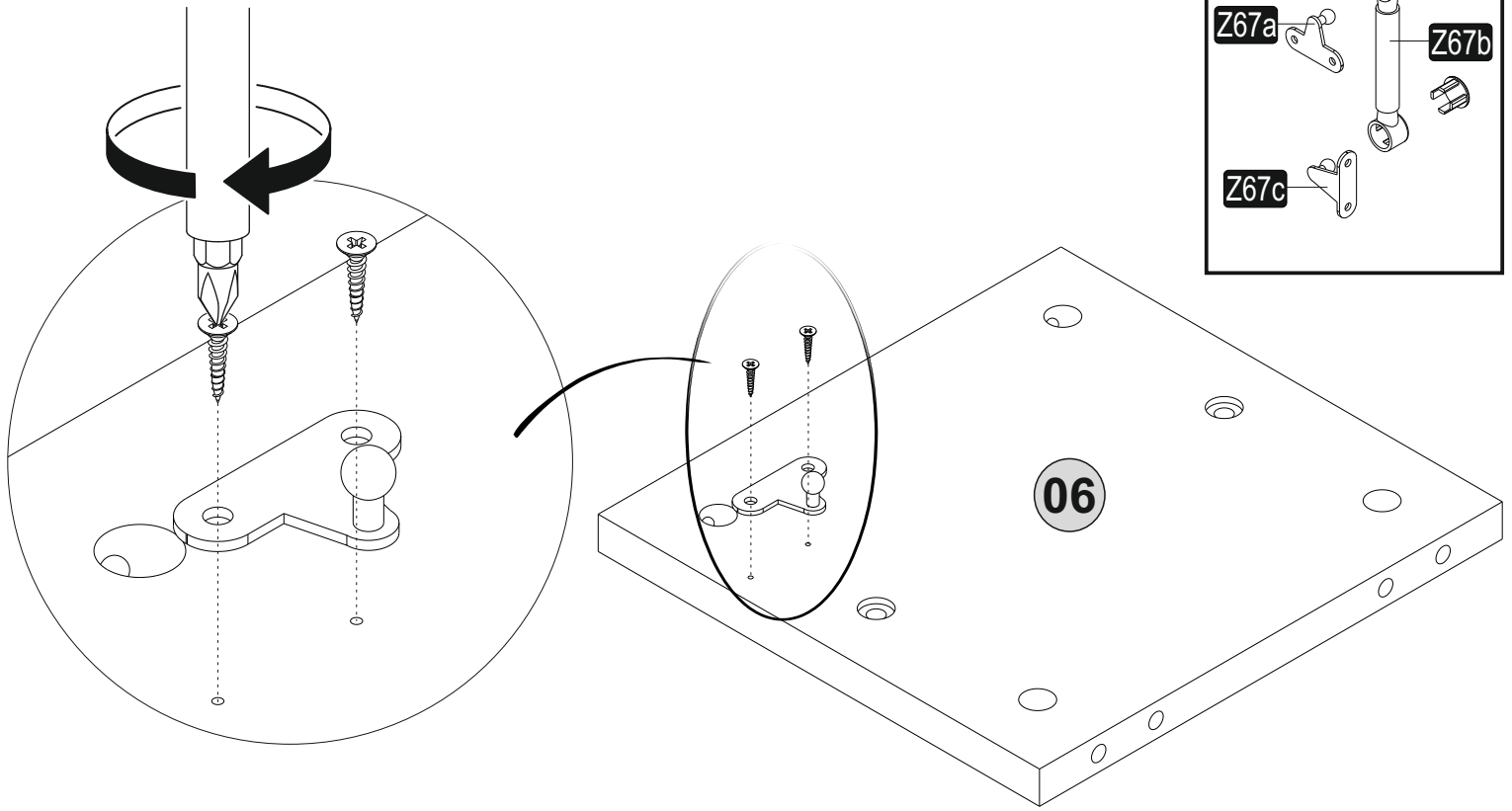


<b>A22</b>  20x	<b>A23</b>  20x	<b>A04</b>  16x	<b>A12</b>  1x	<b>A08</b>  4x
<b>B03</b>  4x	<b>A69</b>  4x	<b>A72</b>  1x	<b>A65</b>  2x	<b>Y03</b>  4x
<b>Z67</b>  1x	<b>A18</b>  7x	<b>A06</b>  C1-20x		

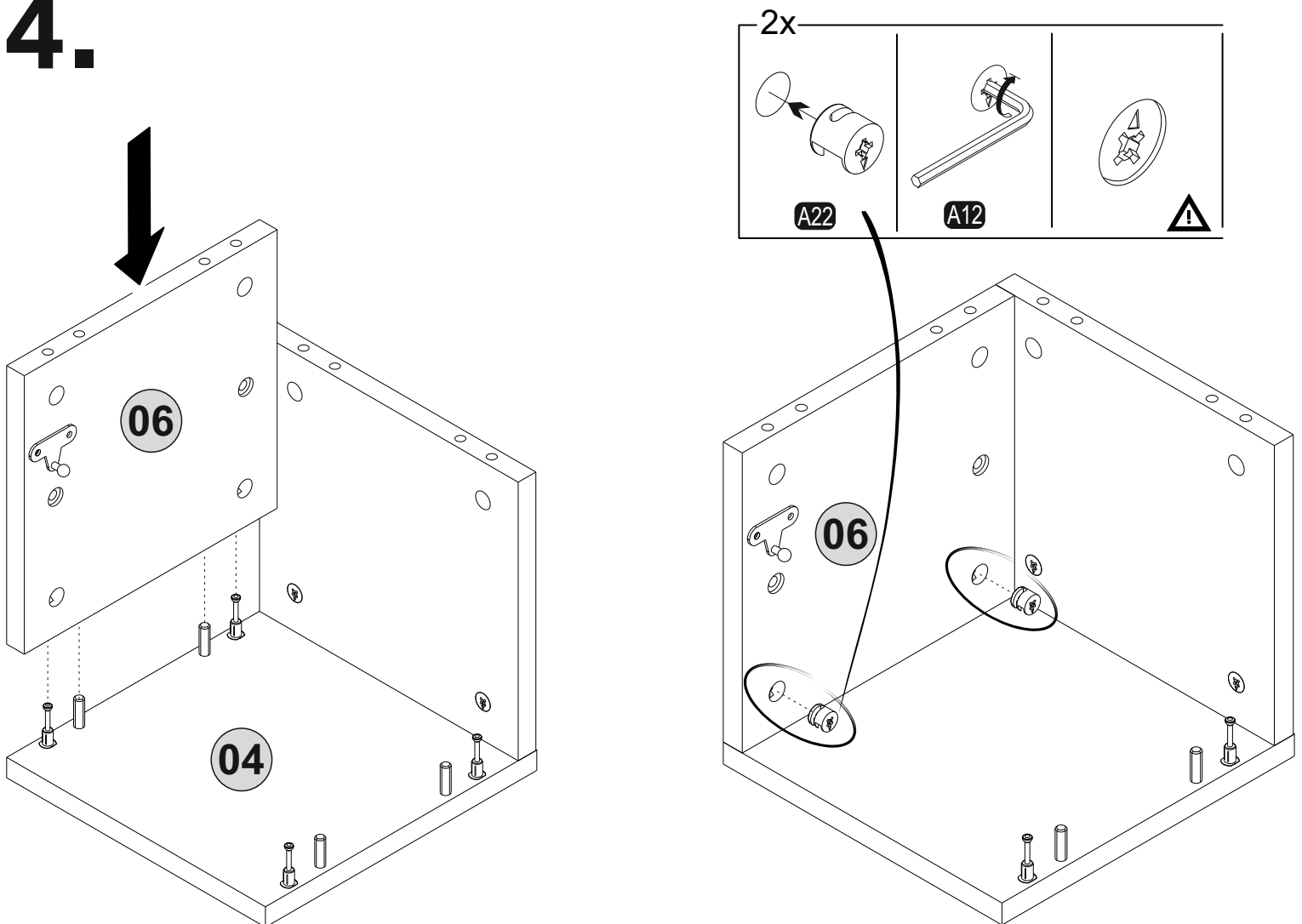




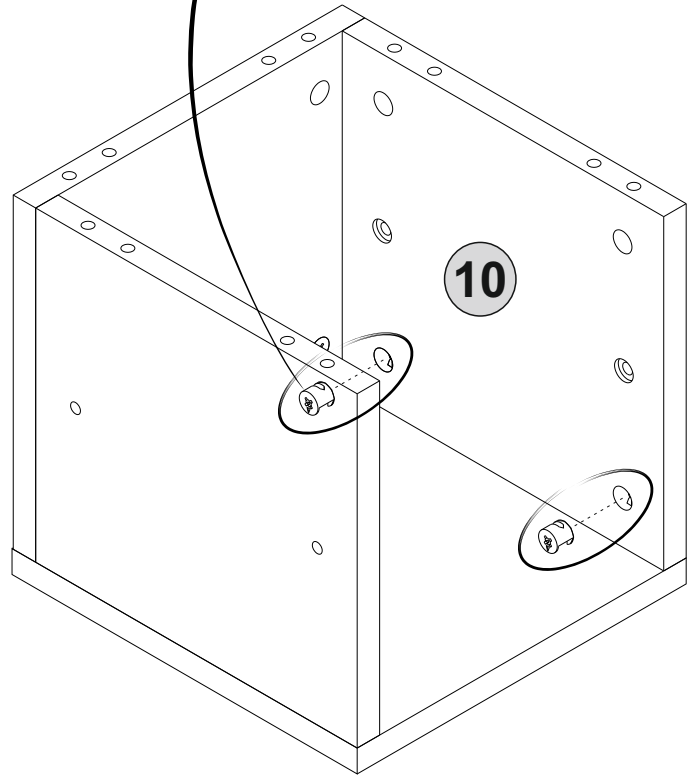
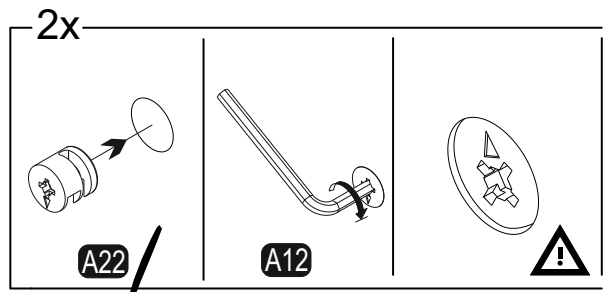
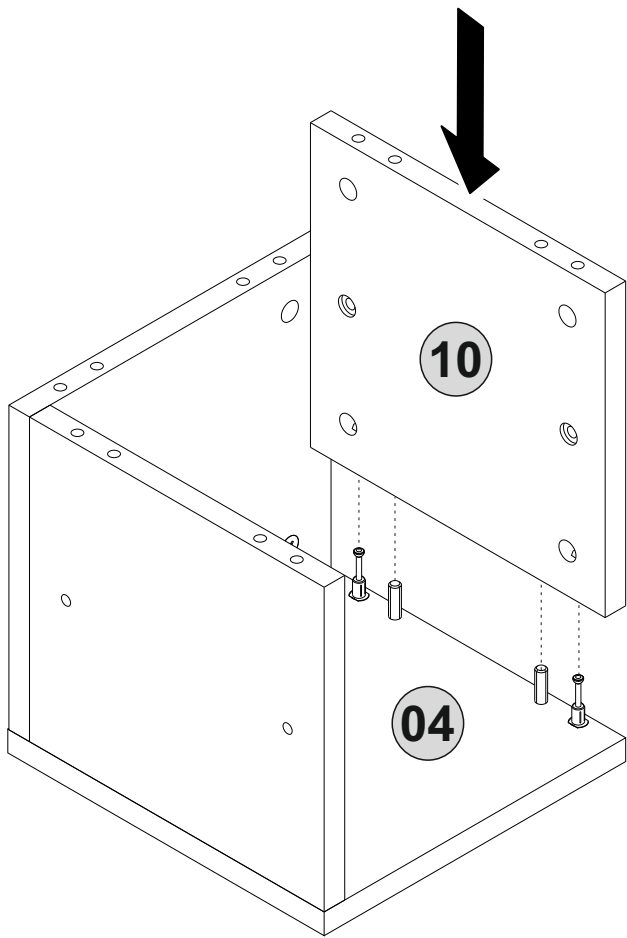
# 3.



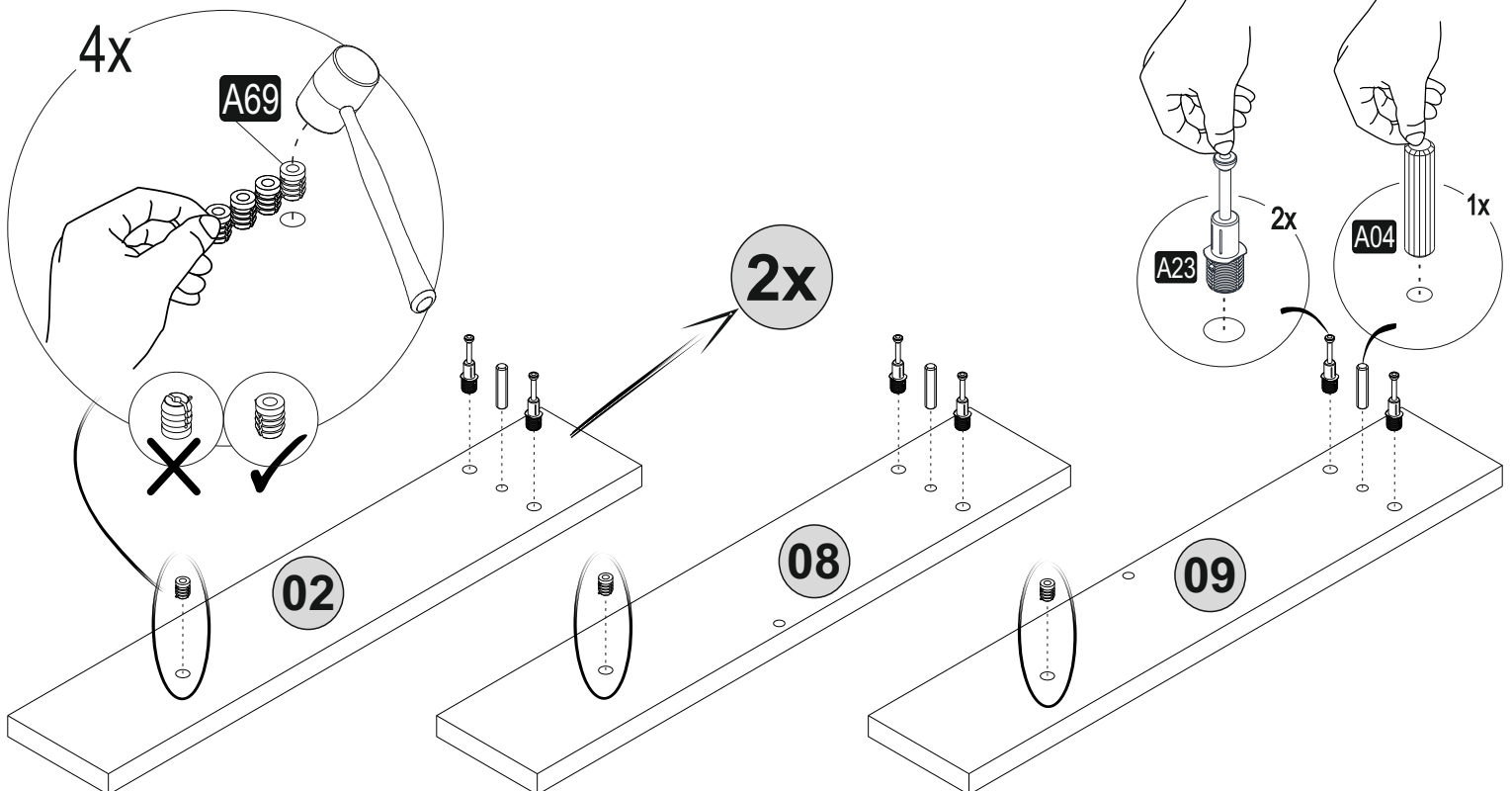
# 4.



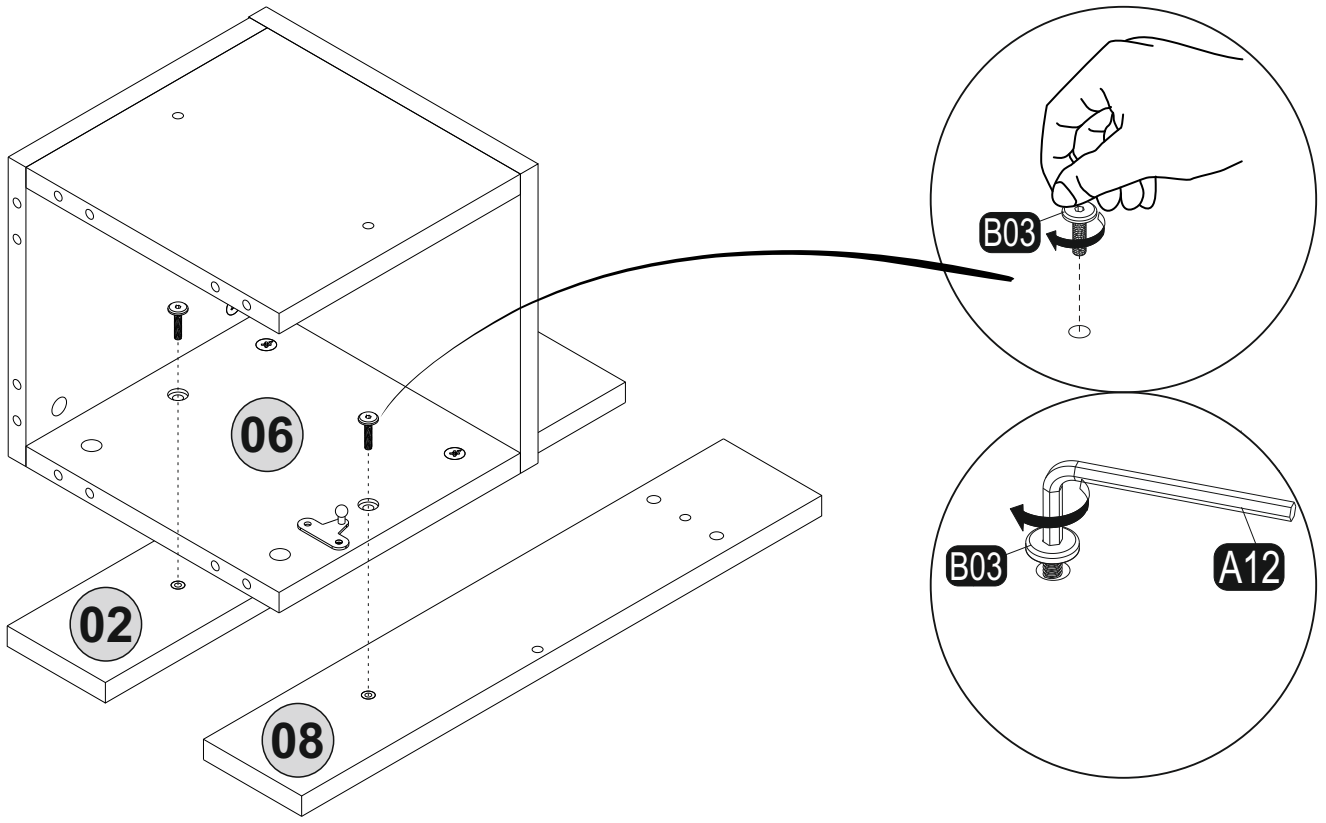
# 5.



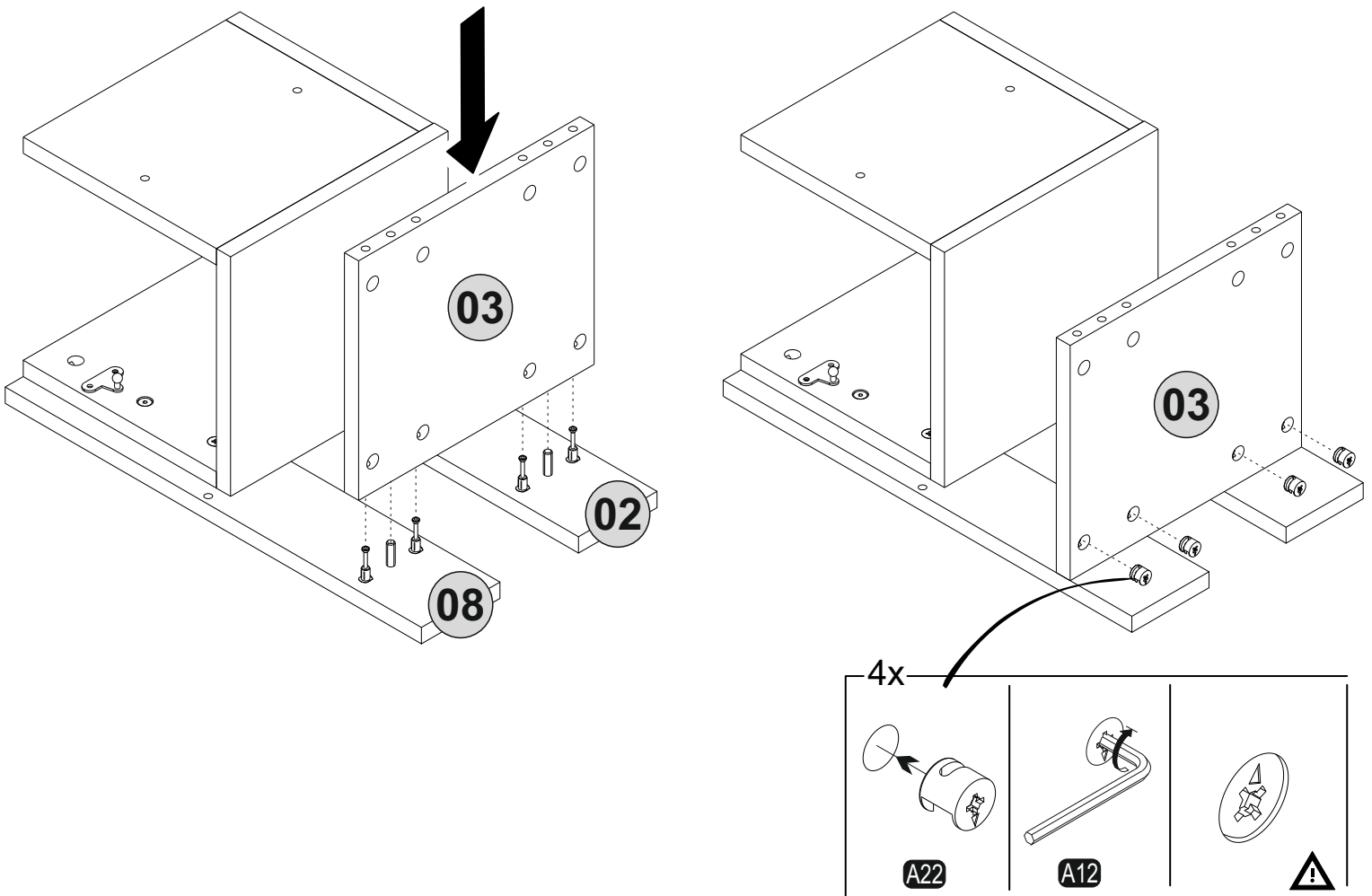
# 6.



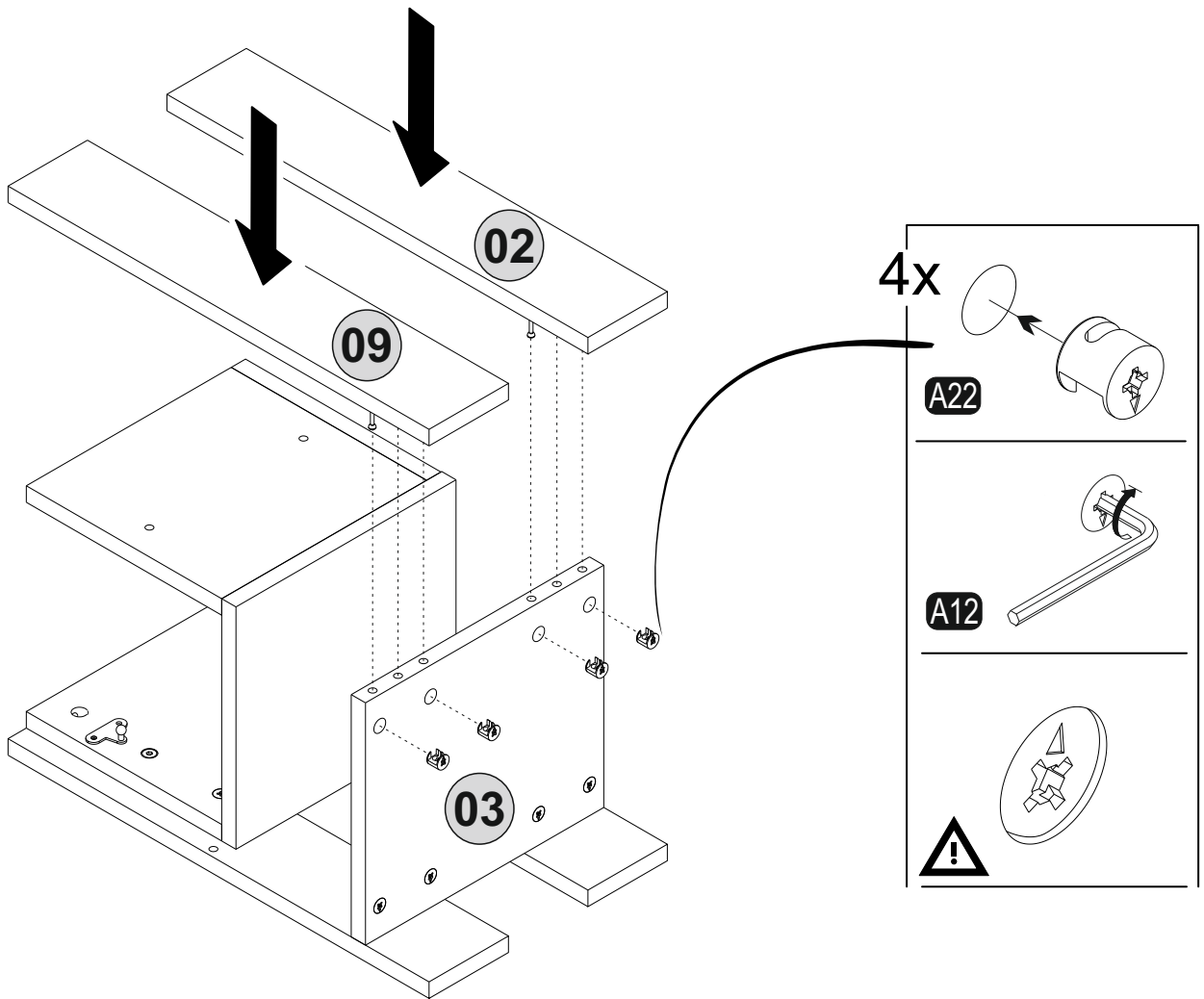
# 7.



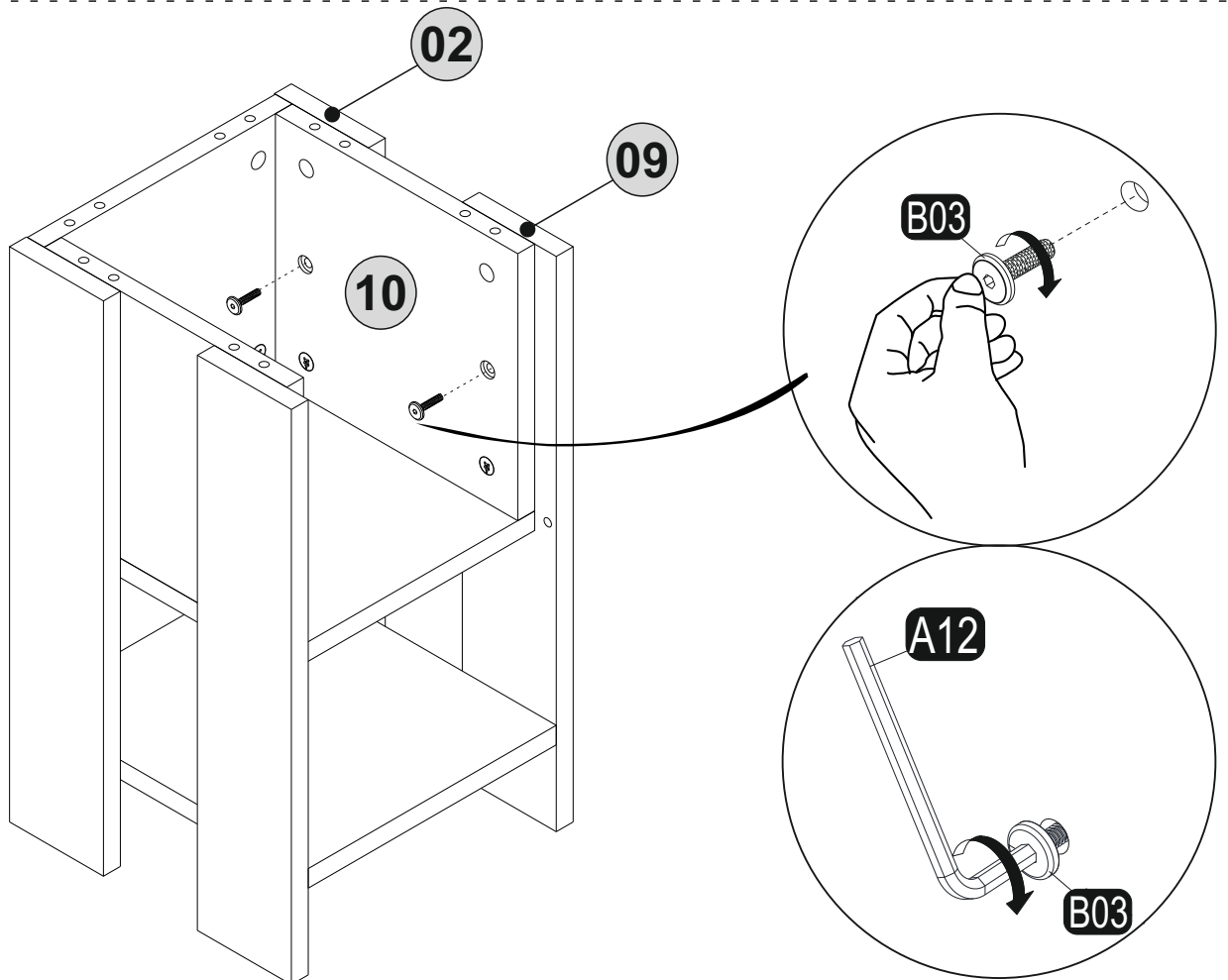
# 8.



9.

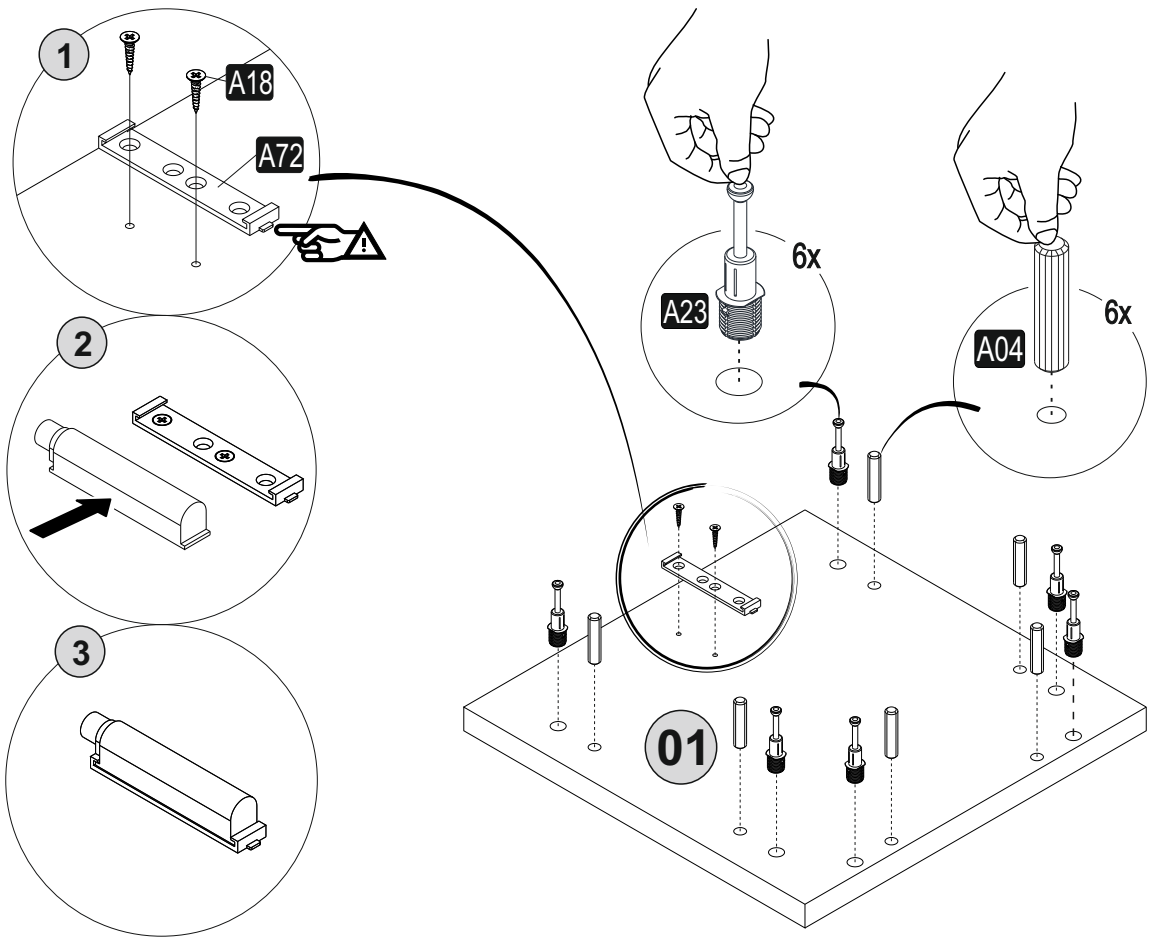


10.

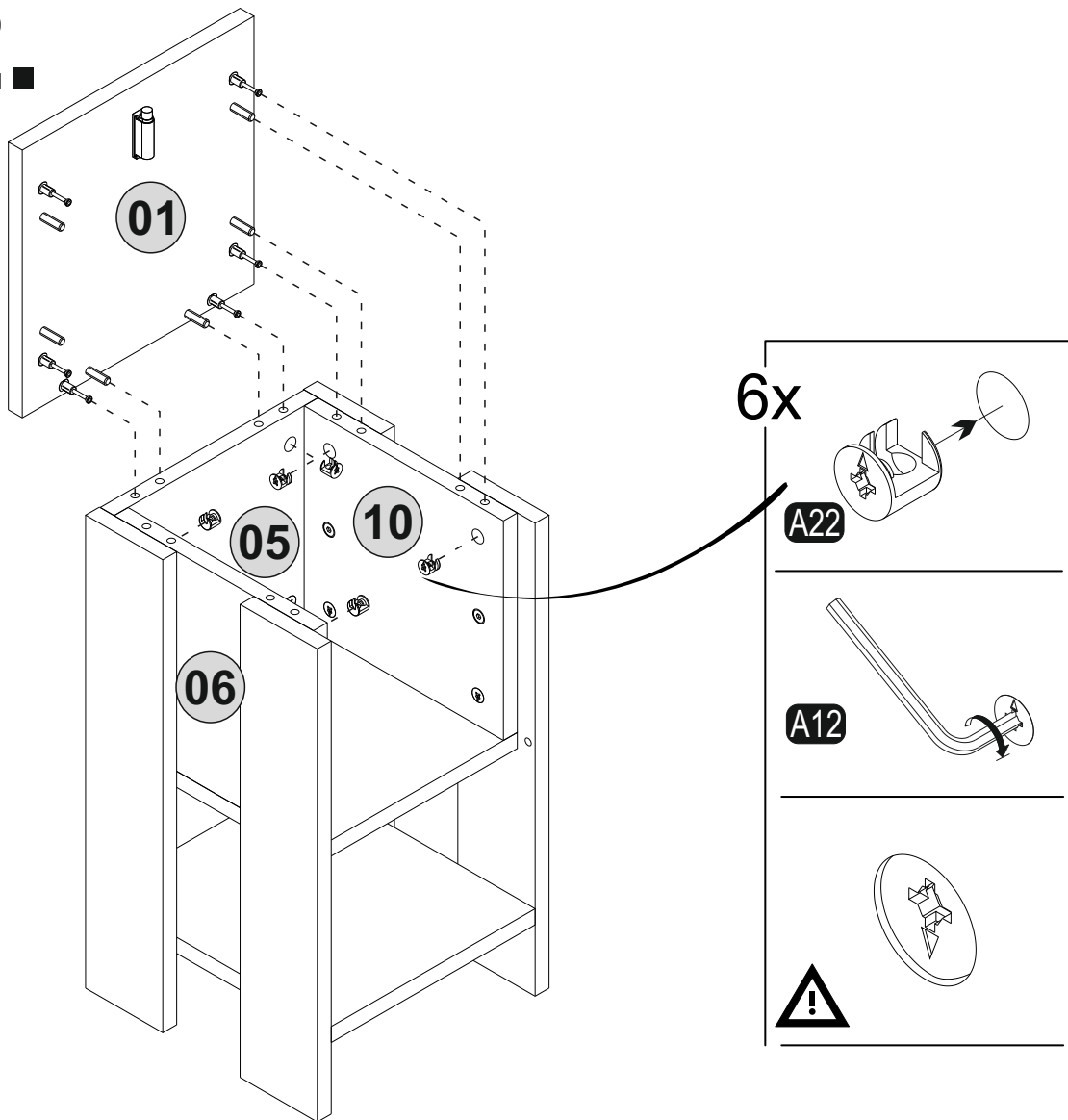




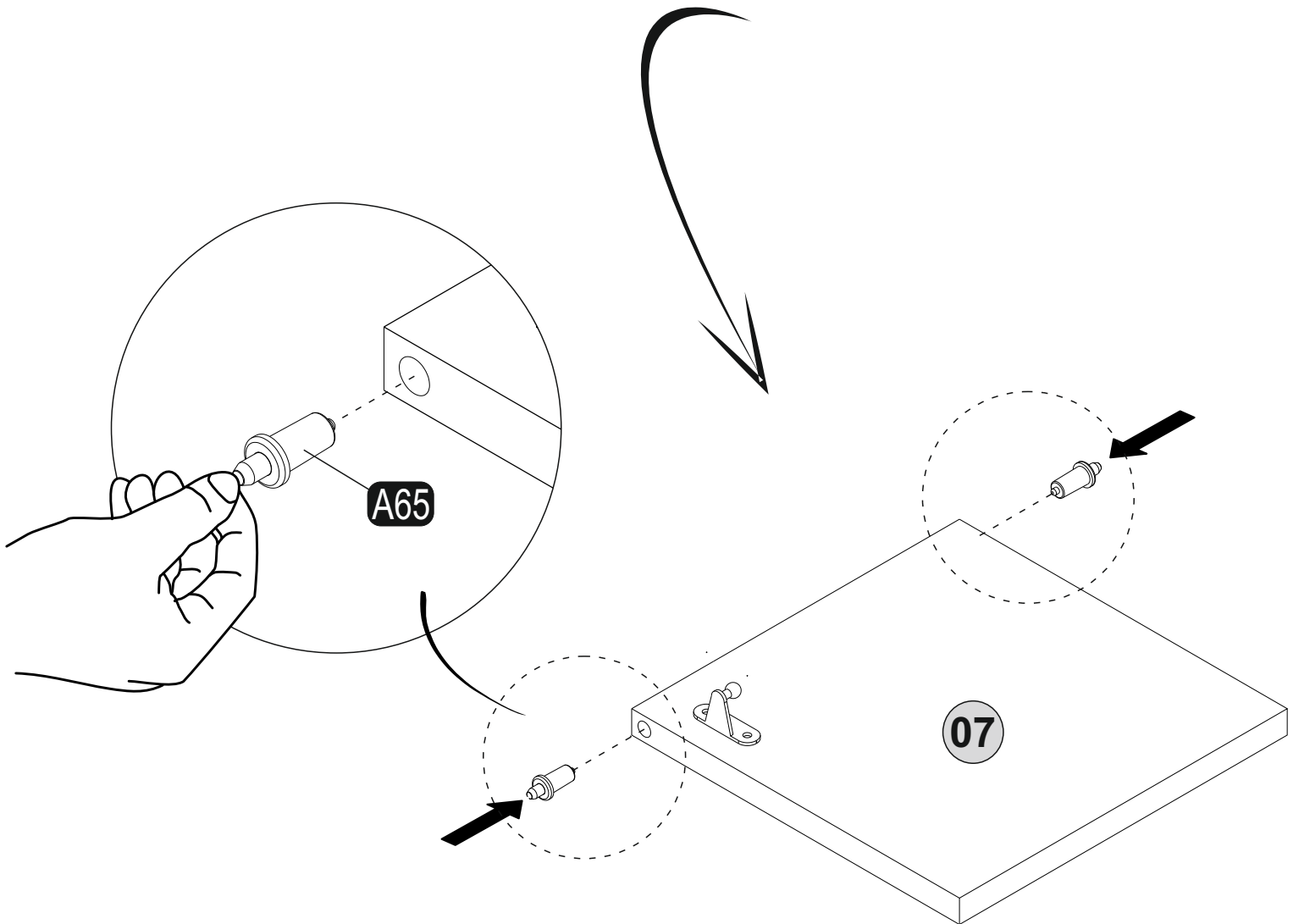
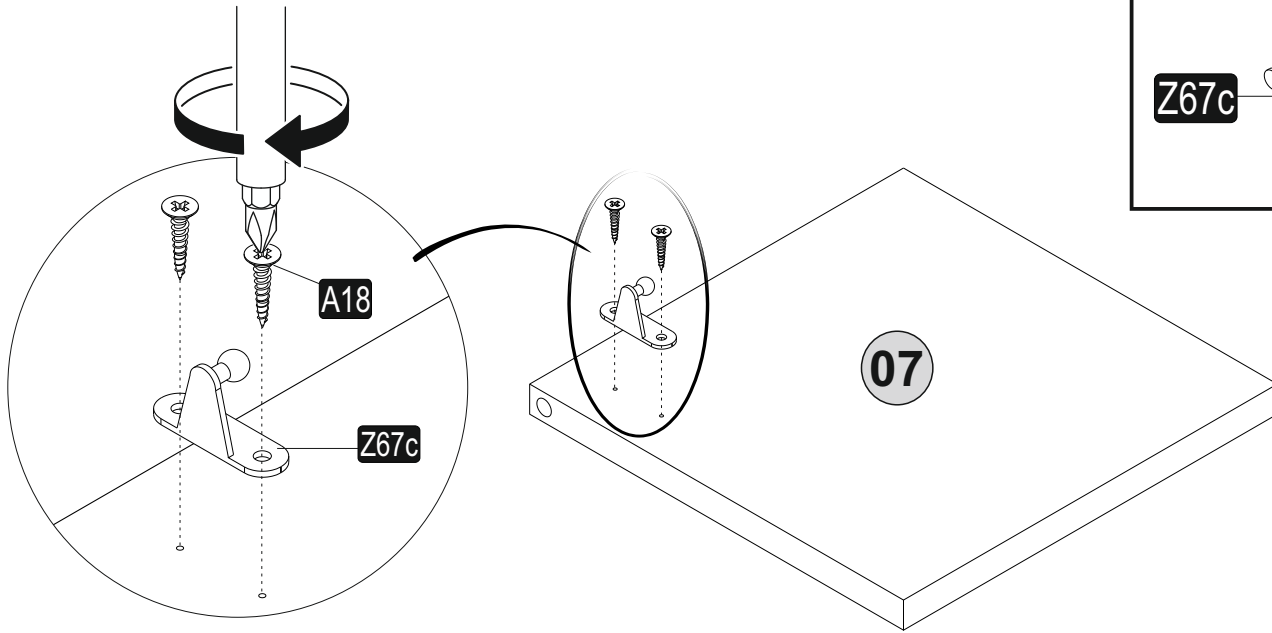
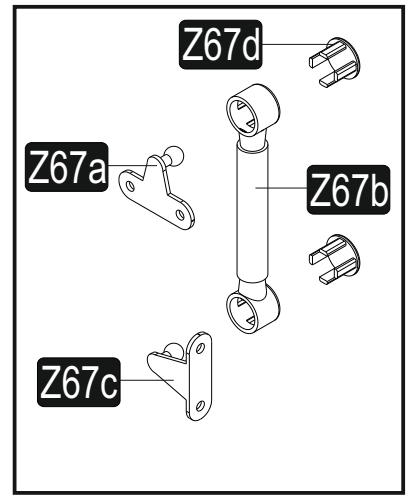
# 11.



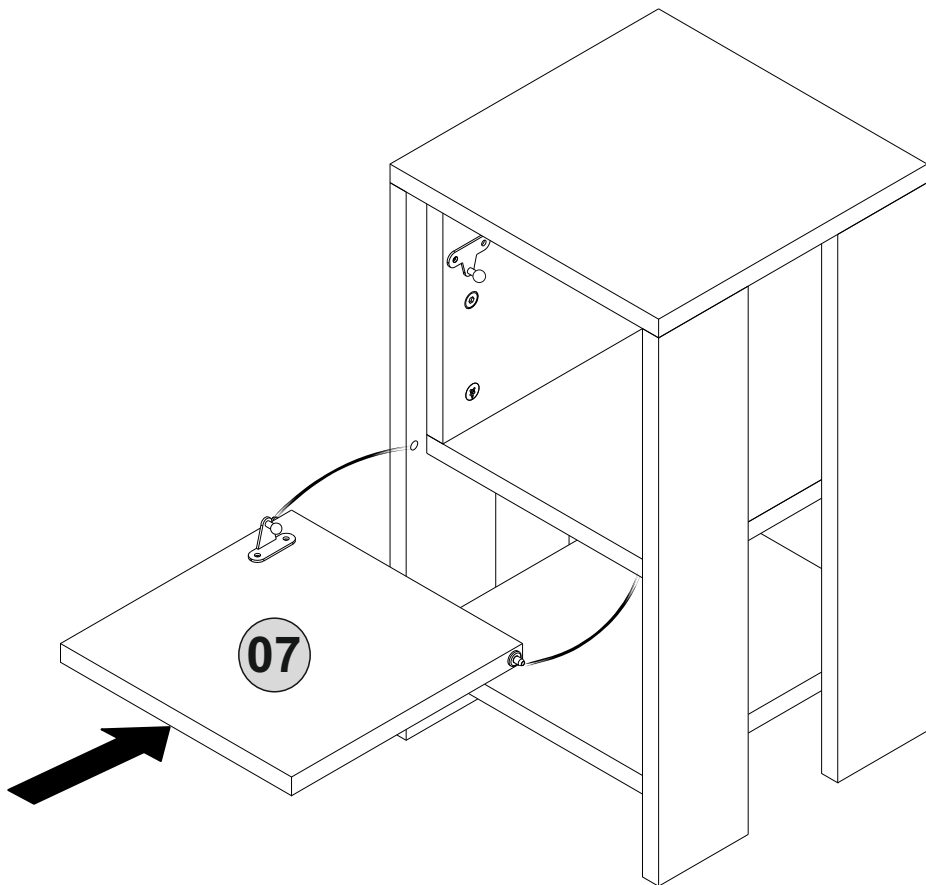
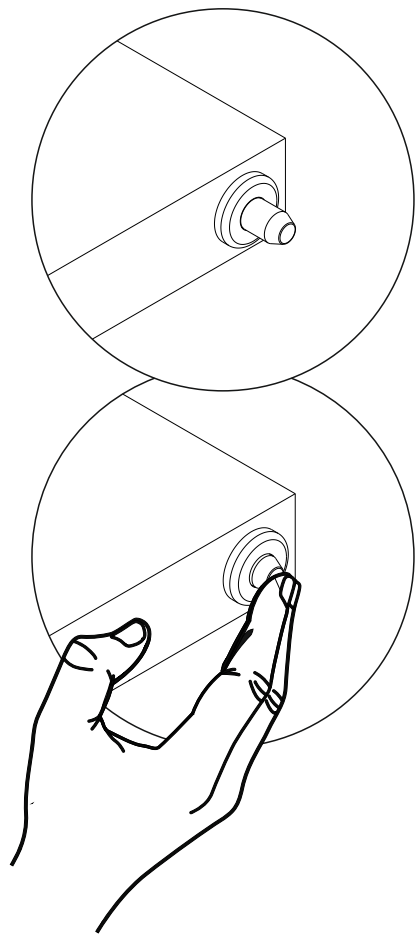
# 12.



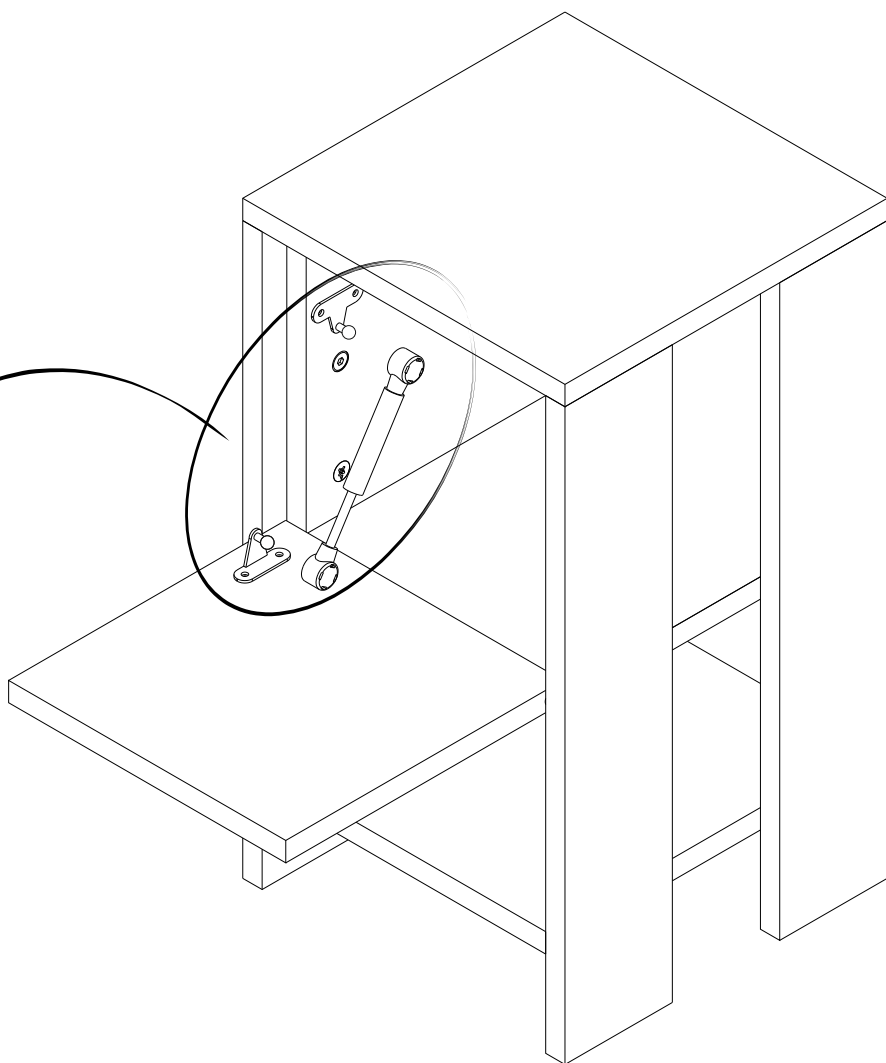
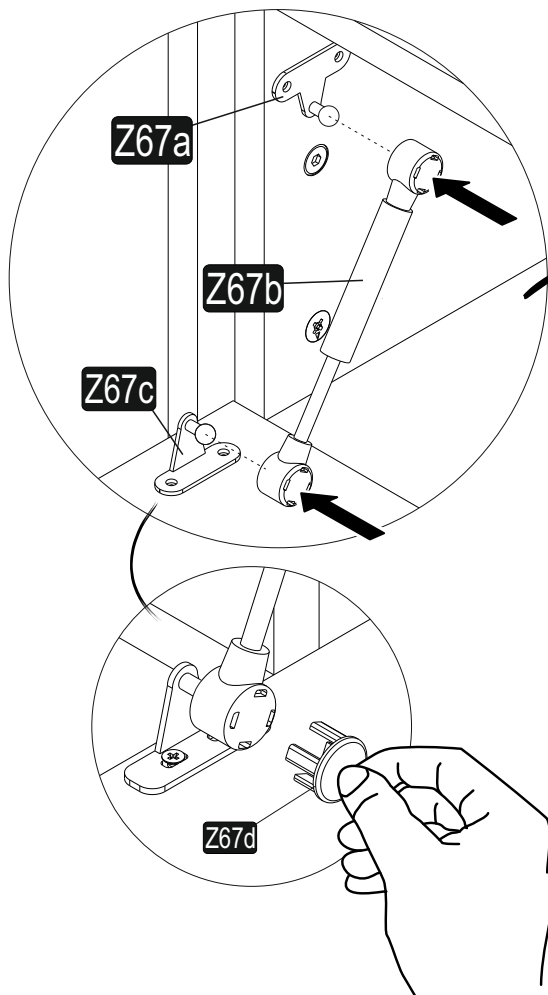
# 13.



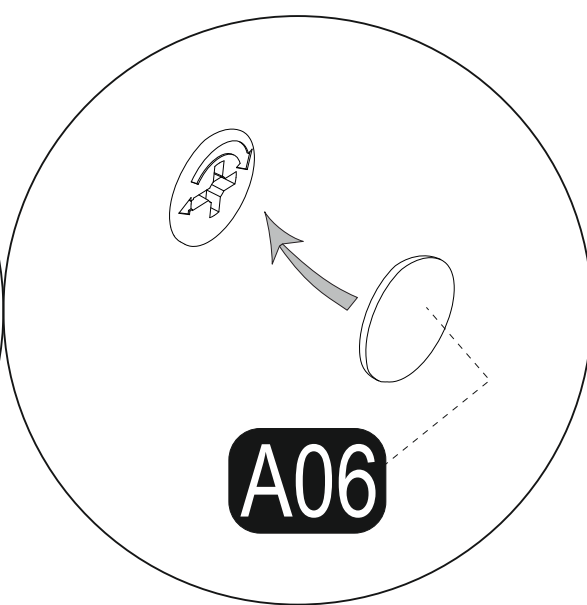
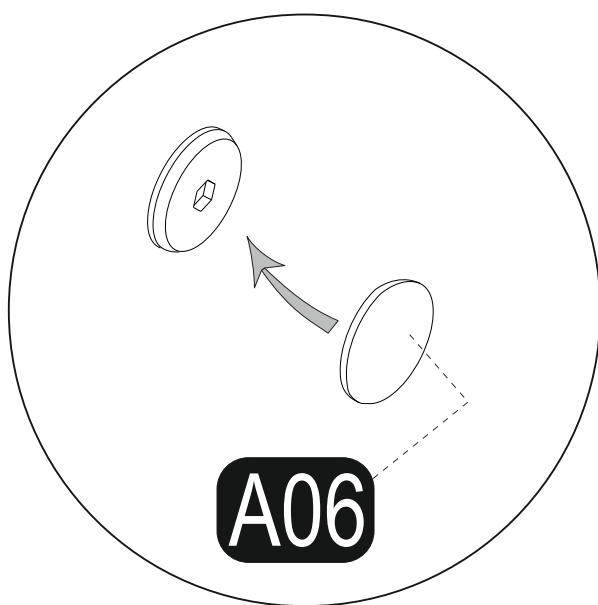
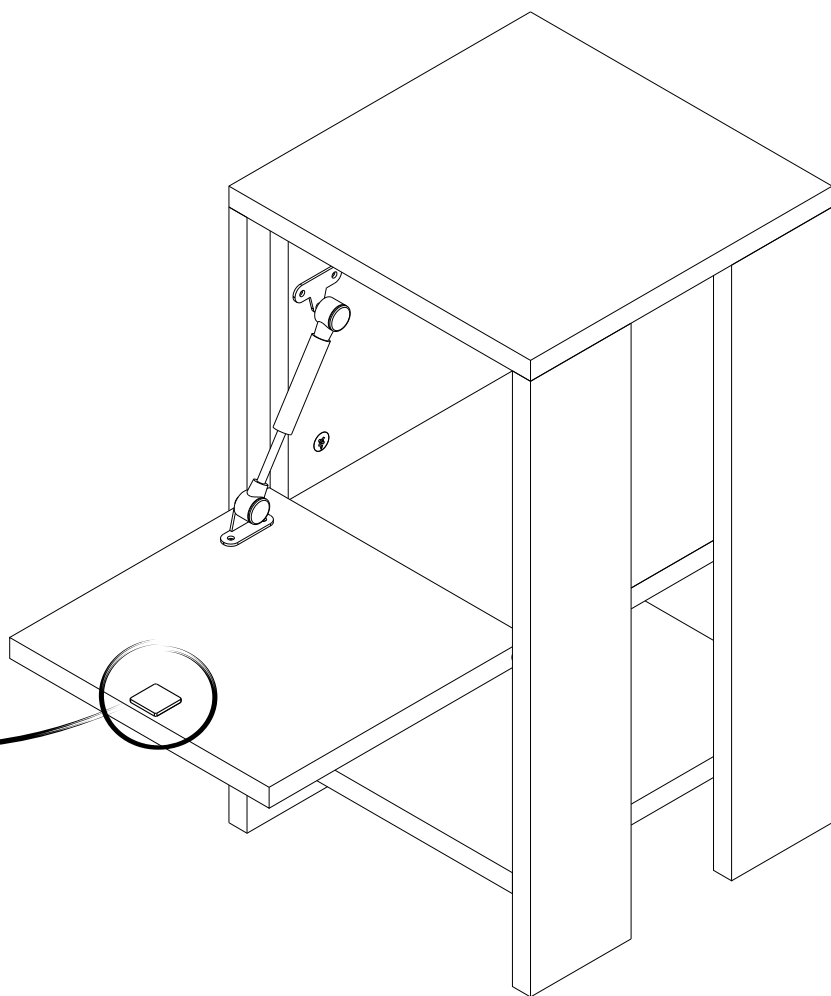
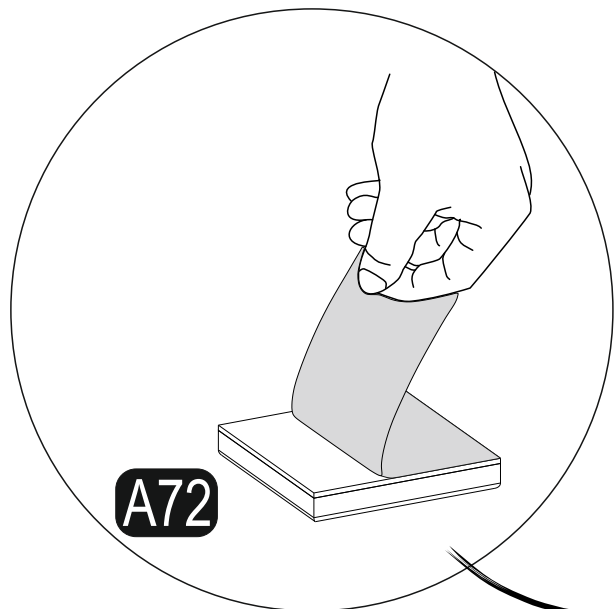
# 14.



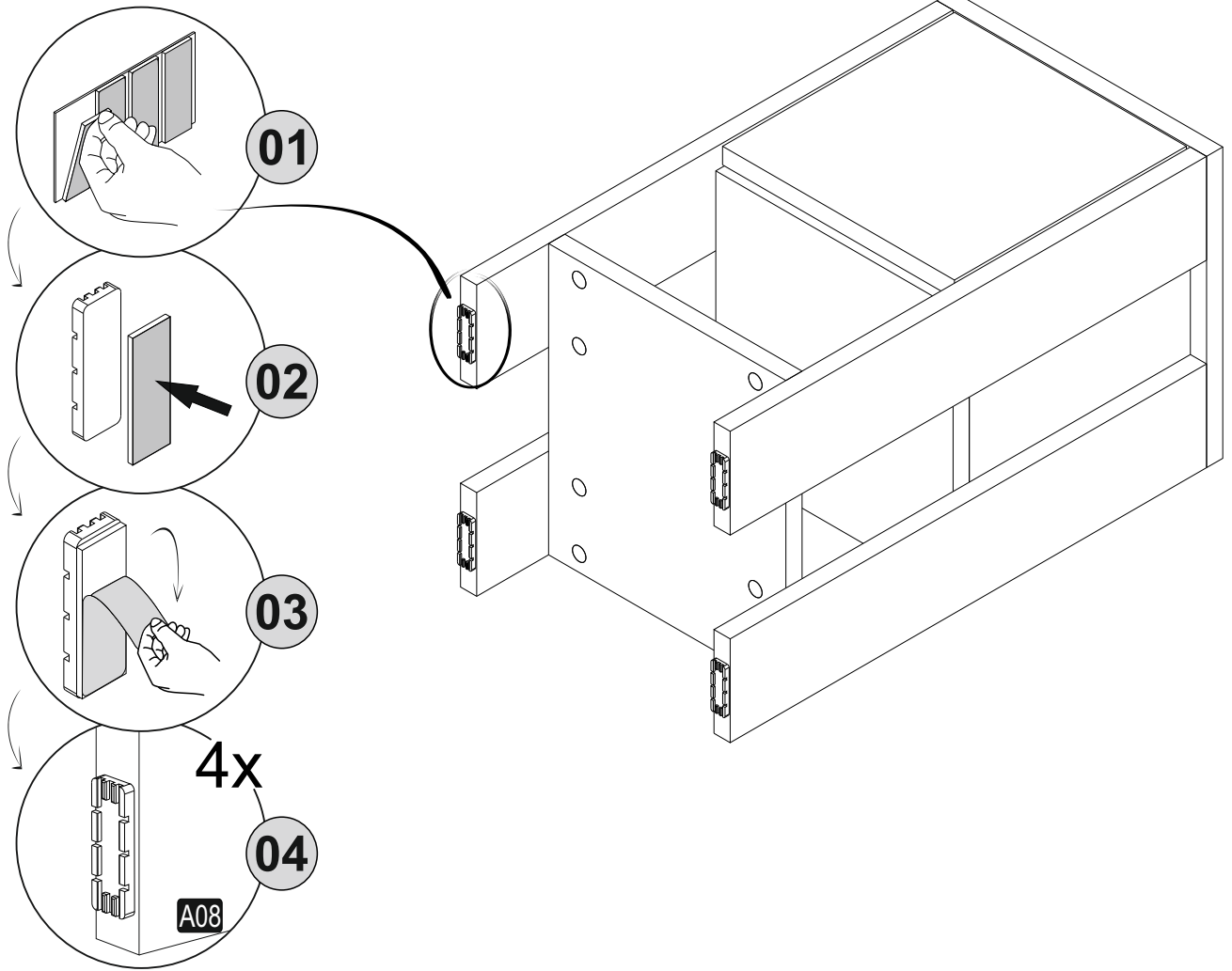
# 15.



# 16.



# 17.



# 18.

