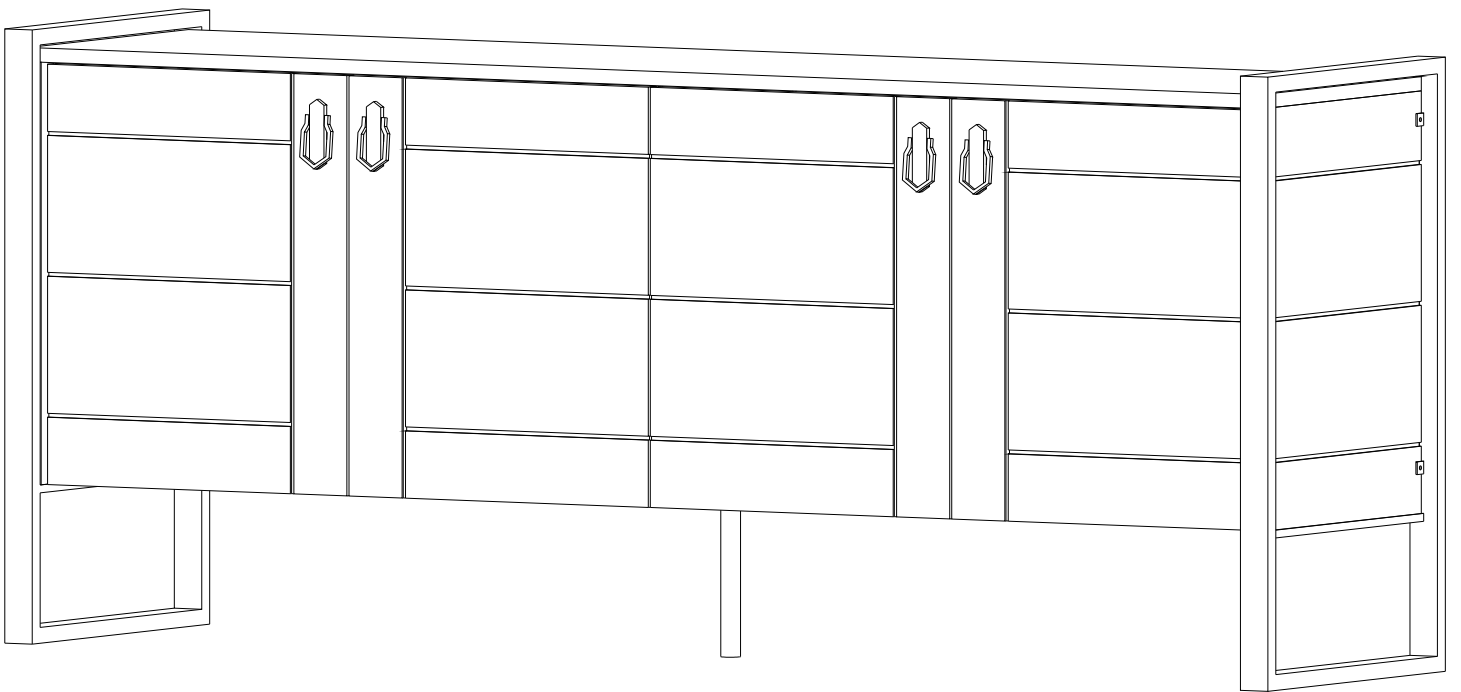
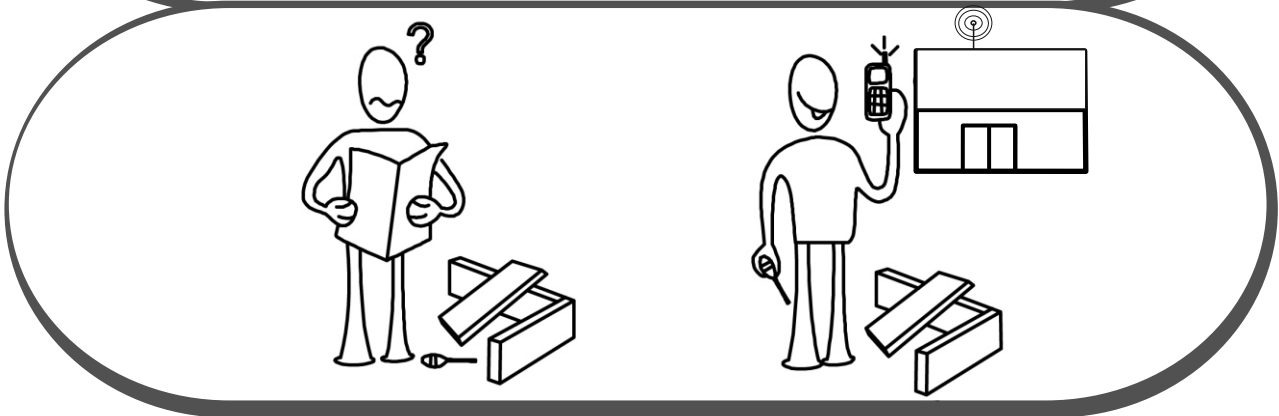
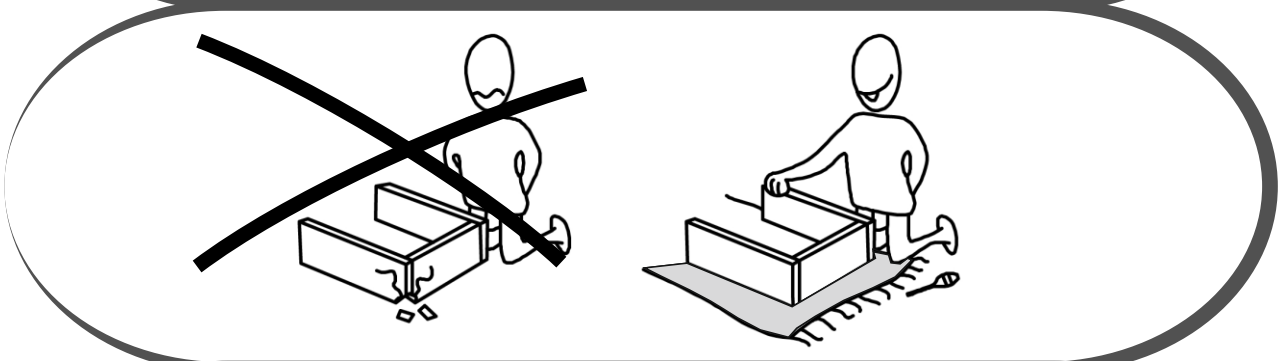
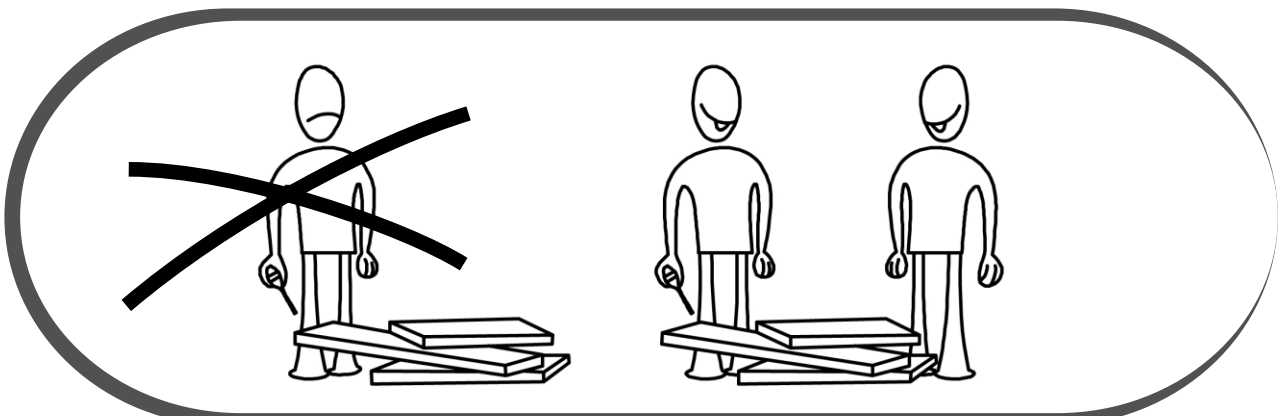
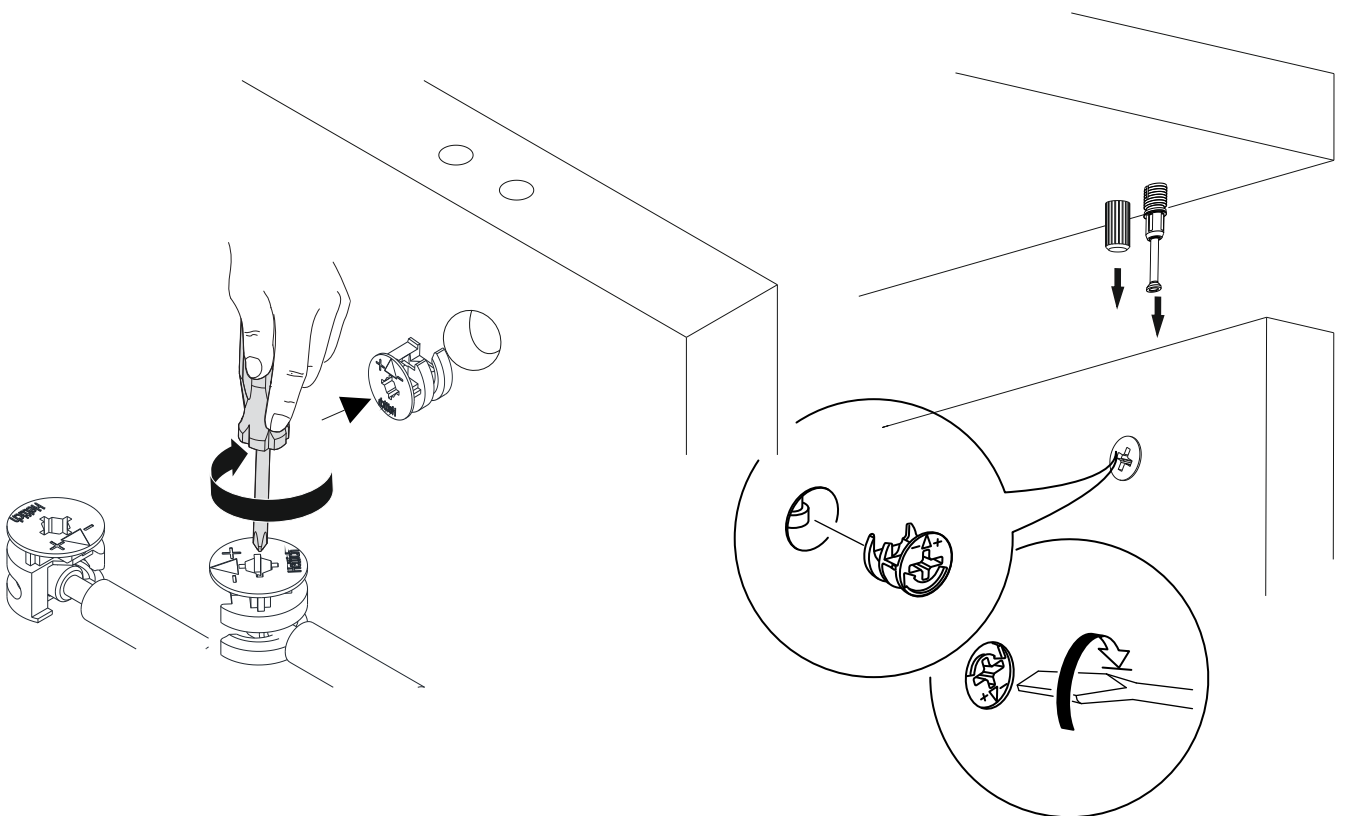
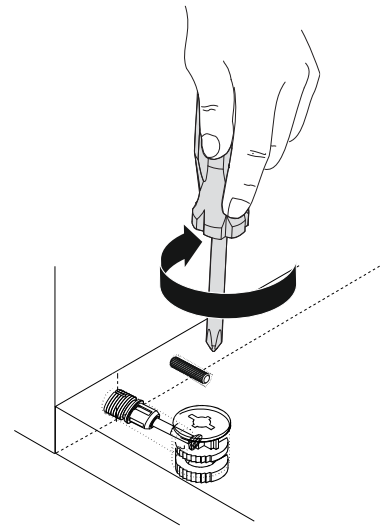
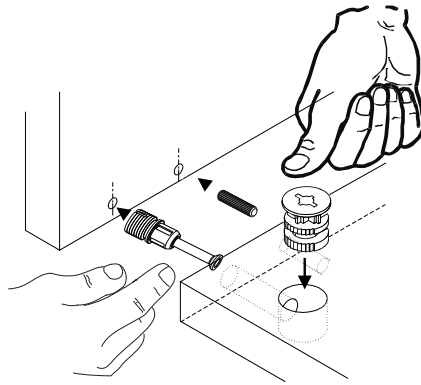
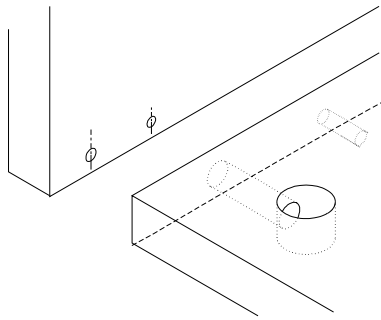
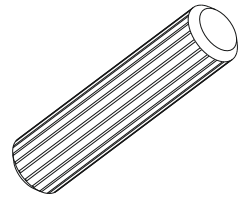
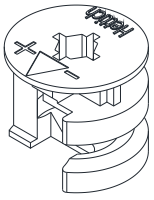


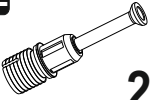
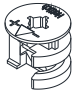
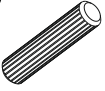
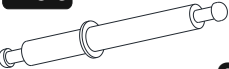


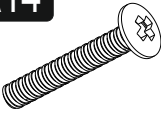

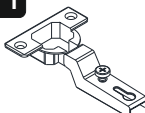
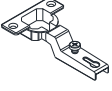
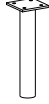
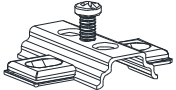



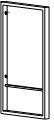
# DYLAN

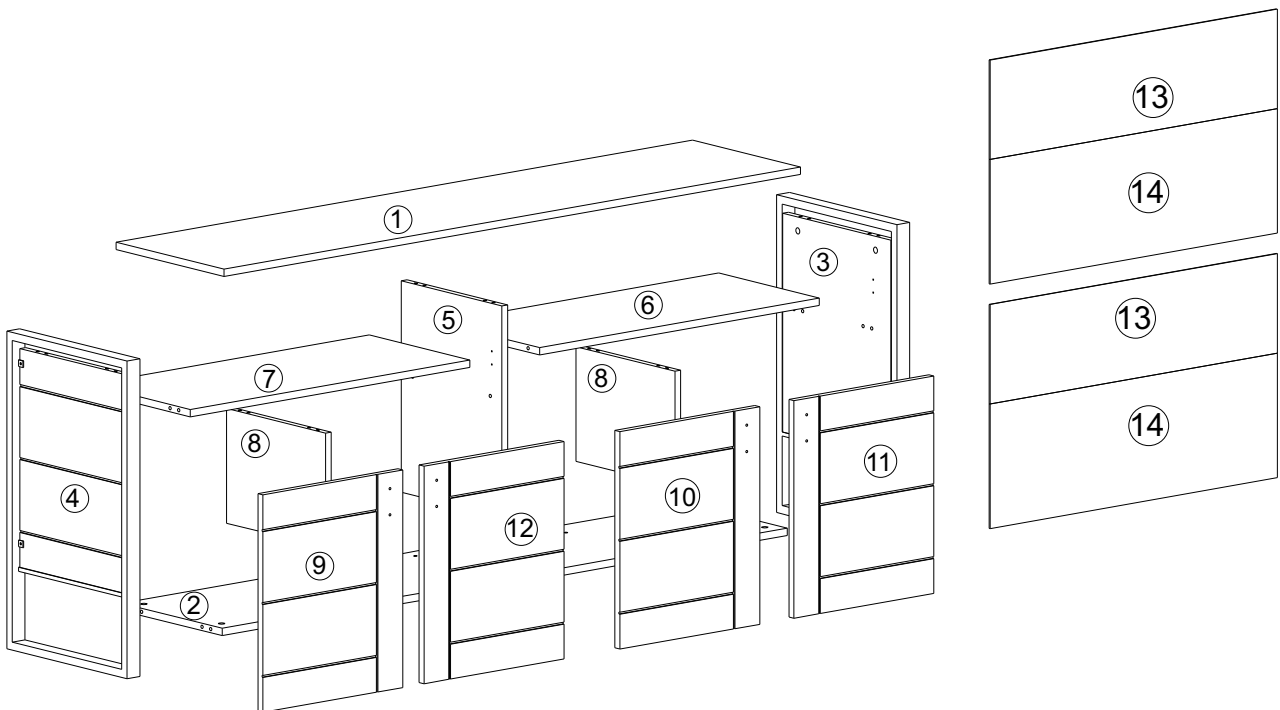
401317



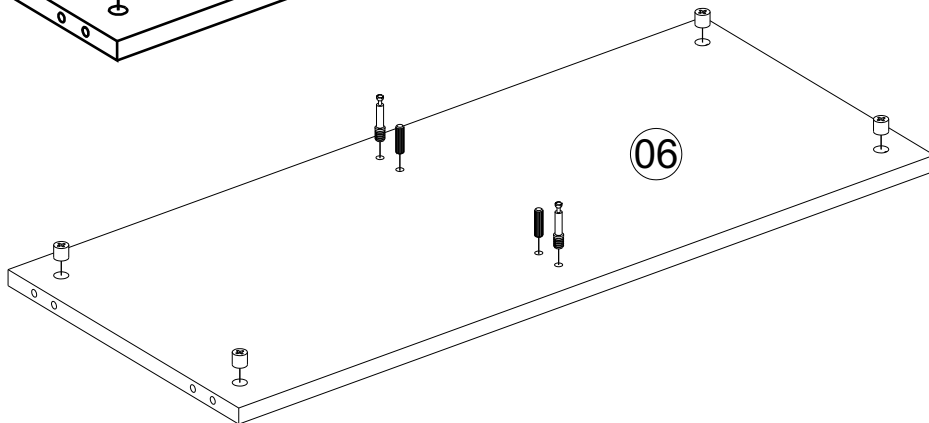
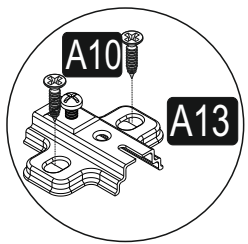
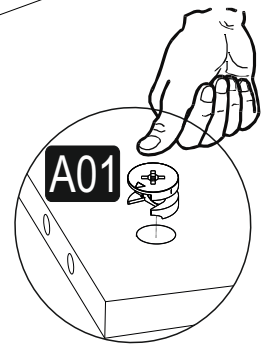
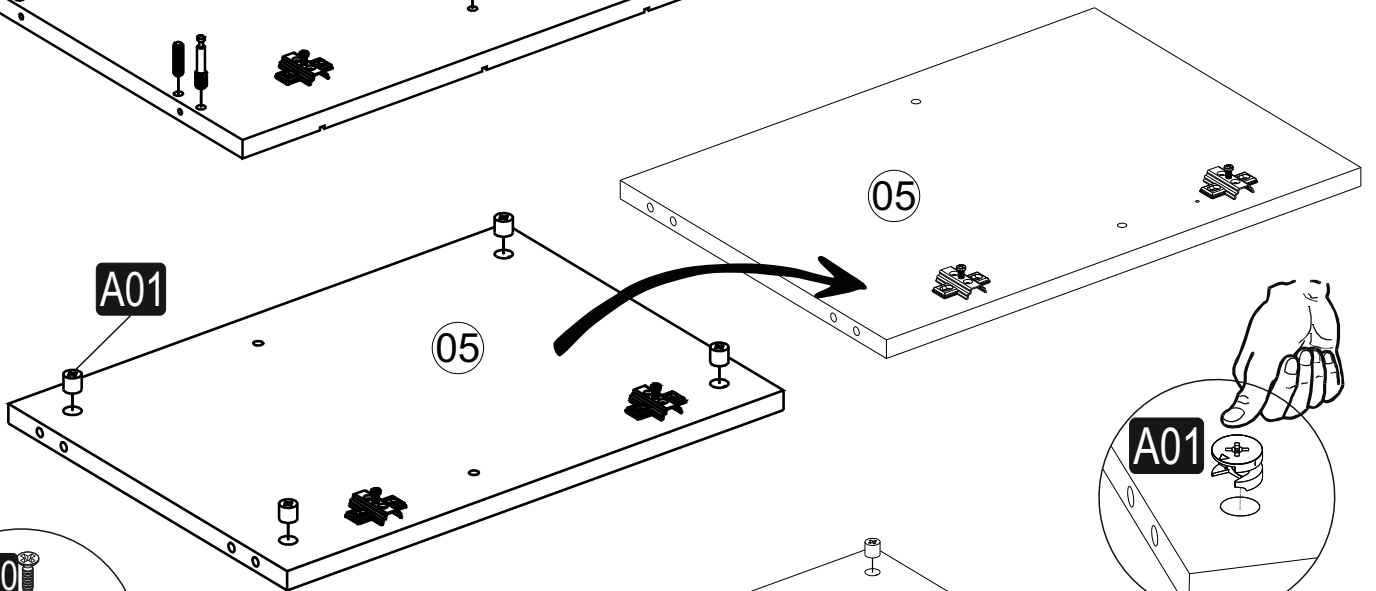
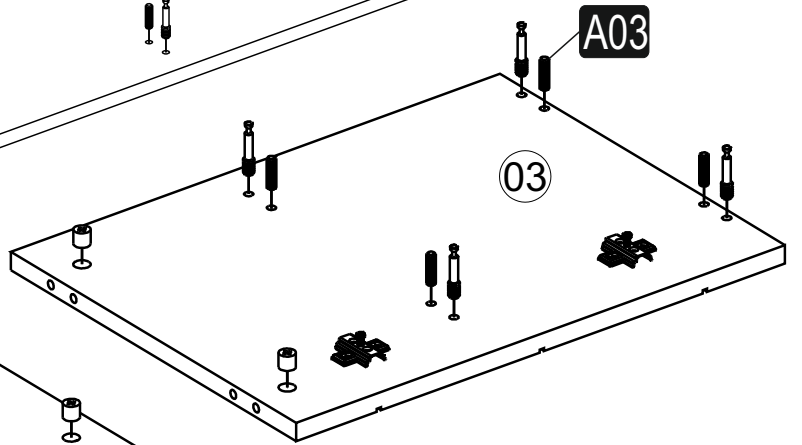
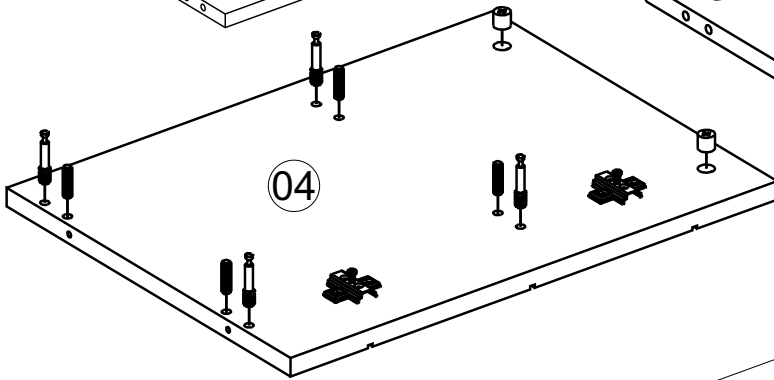
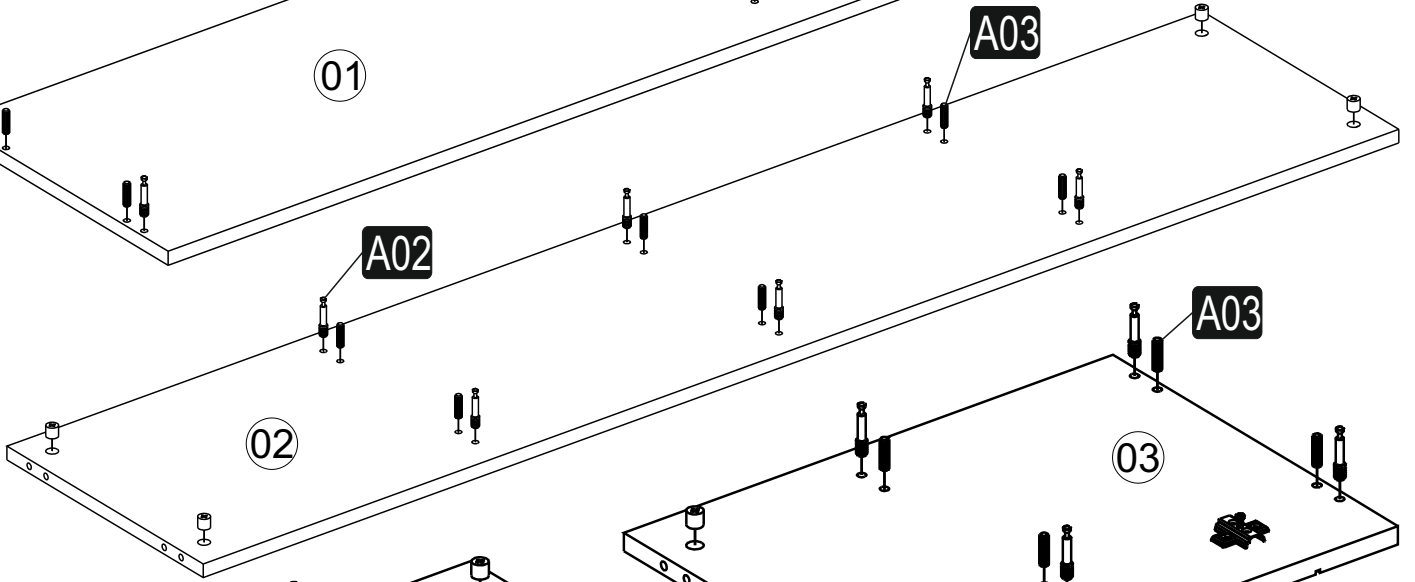
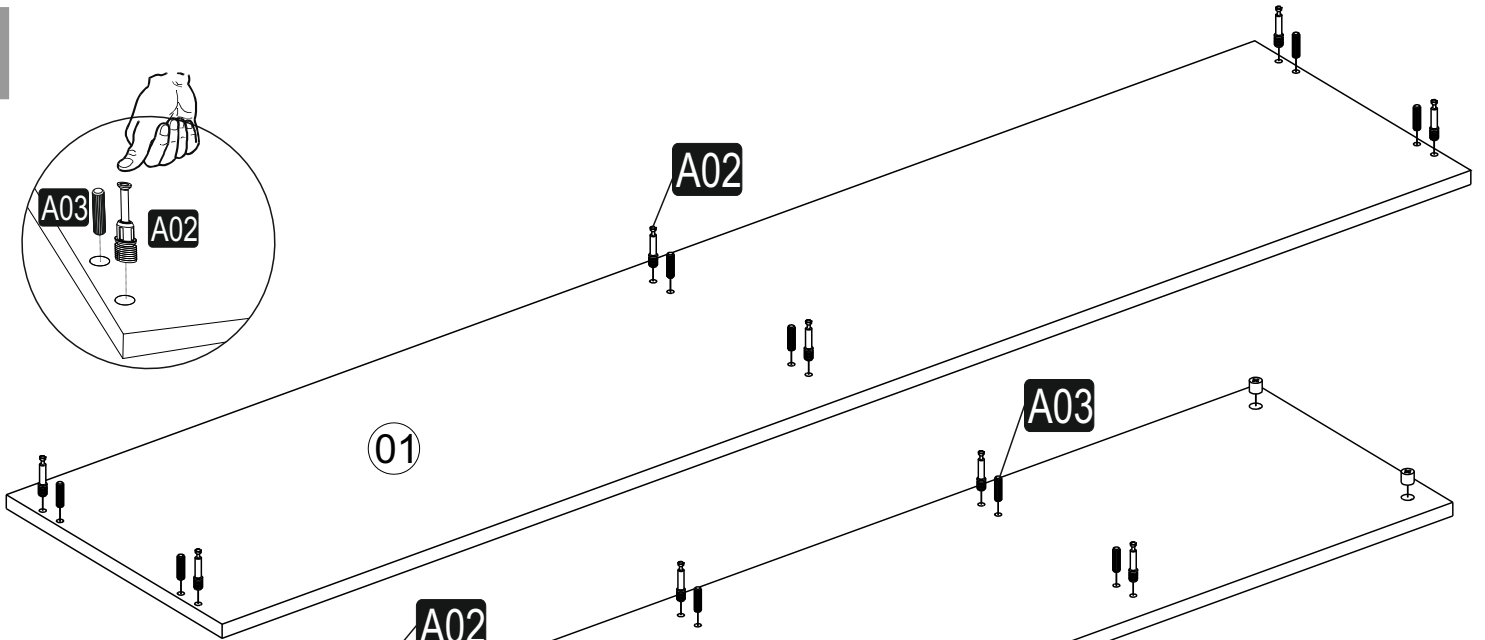
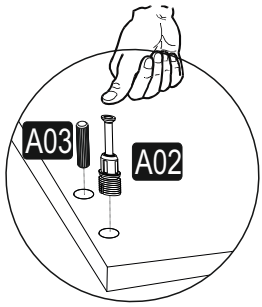




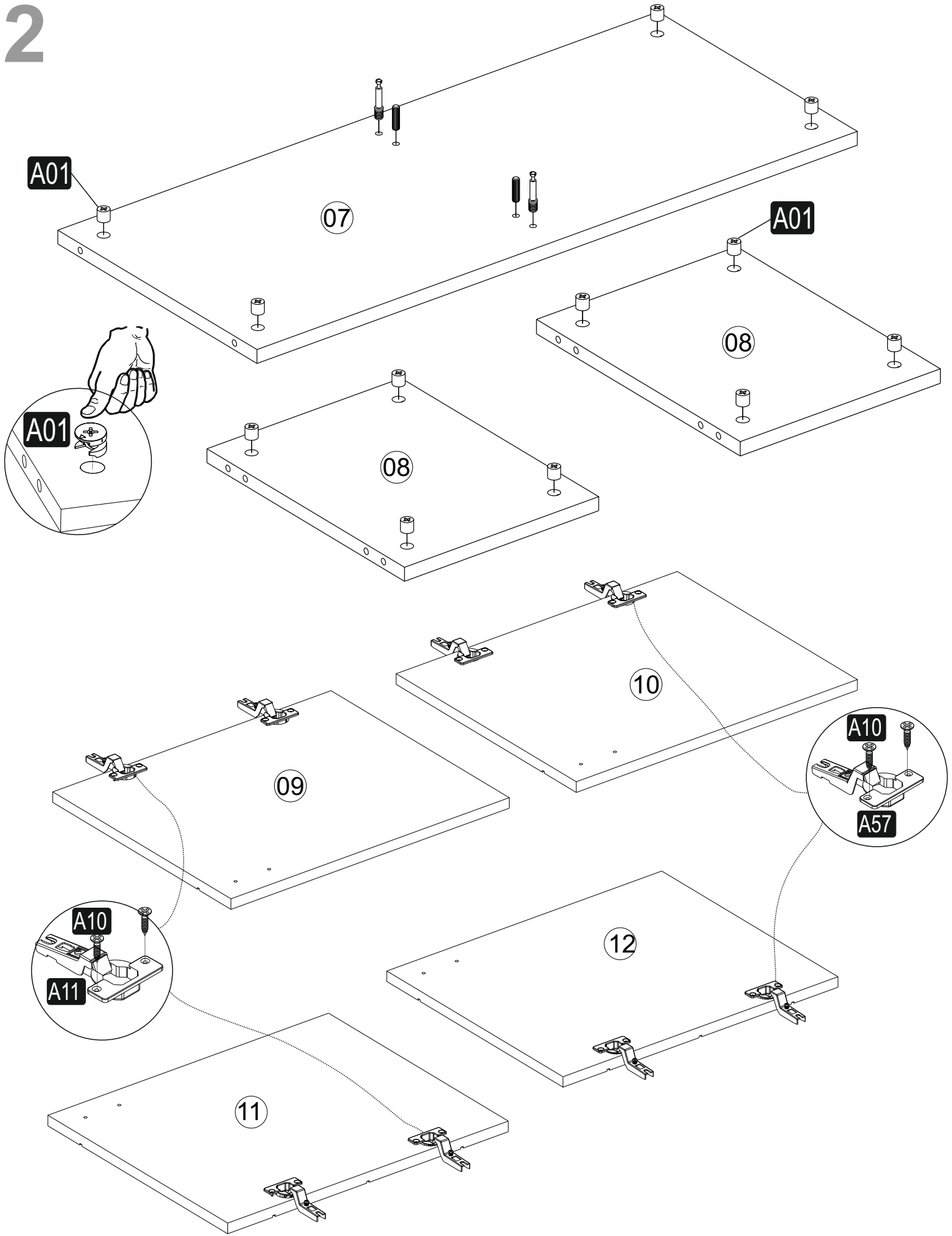
<b>A02</b>  24x	<b>A01</b>  28x	<b>A03</b>  24x	<b>A06</b>  2x	<b>A38</b> 3,5x35  4x
<b>A64</b>  4x	<b>A14</b> M4x22  8x	<b>A10</b> 3,5x18  44x	<b>A11</b>  4x	<b>A57</b>  4x
<b>B31</b>  1x	<b>A13</b>  8x	<b>A28</b>  50x	<b>A04</b>  A 28x	<b>A25</b>  865 mm 2x
<b>B53</b>  2x				



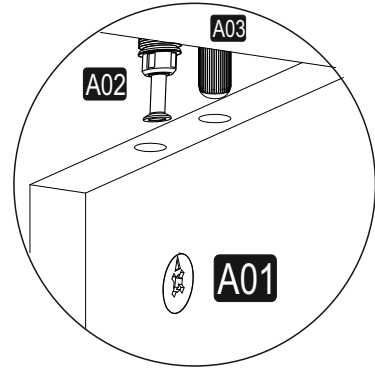
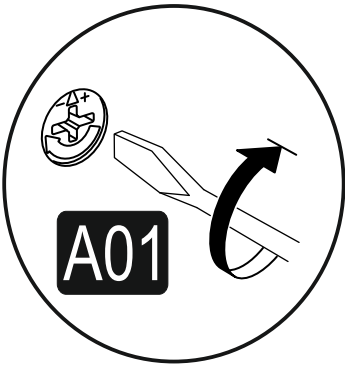
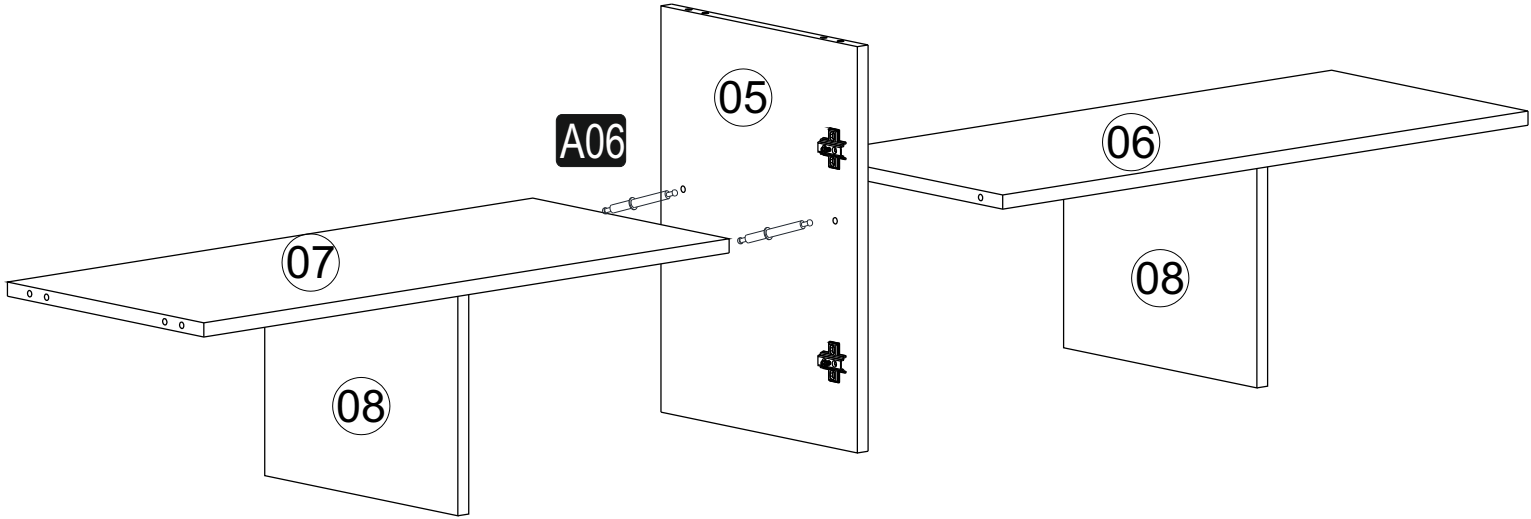
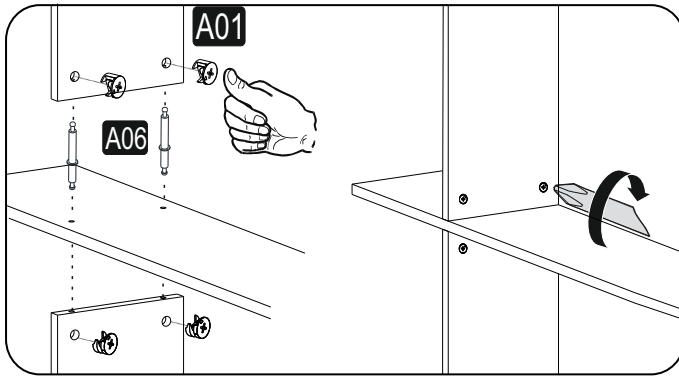
1



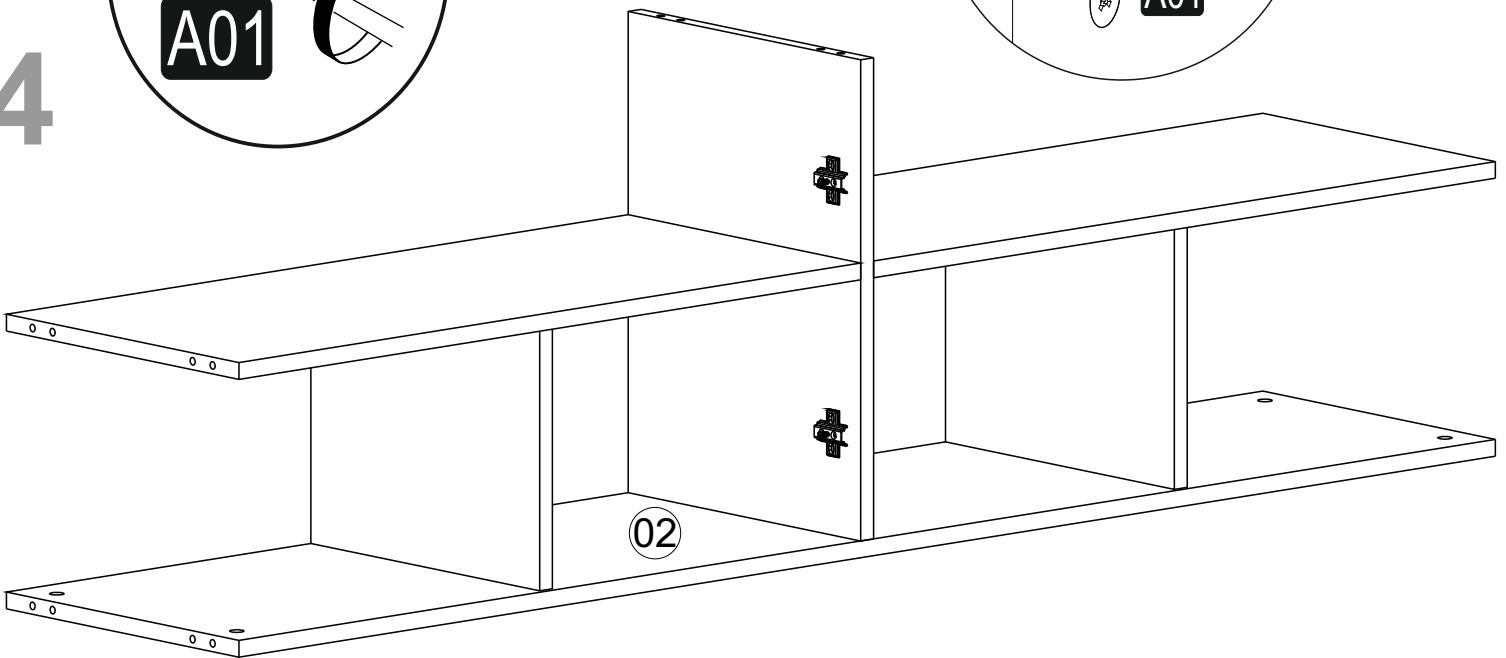
# 2



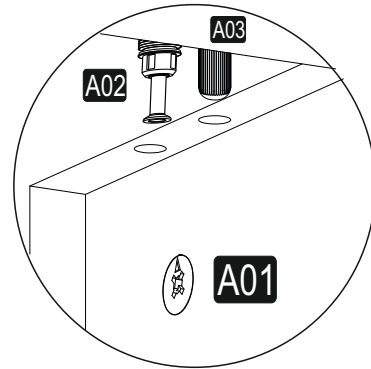
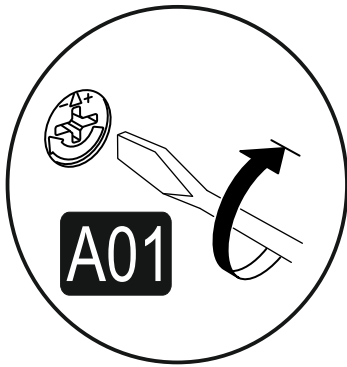
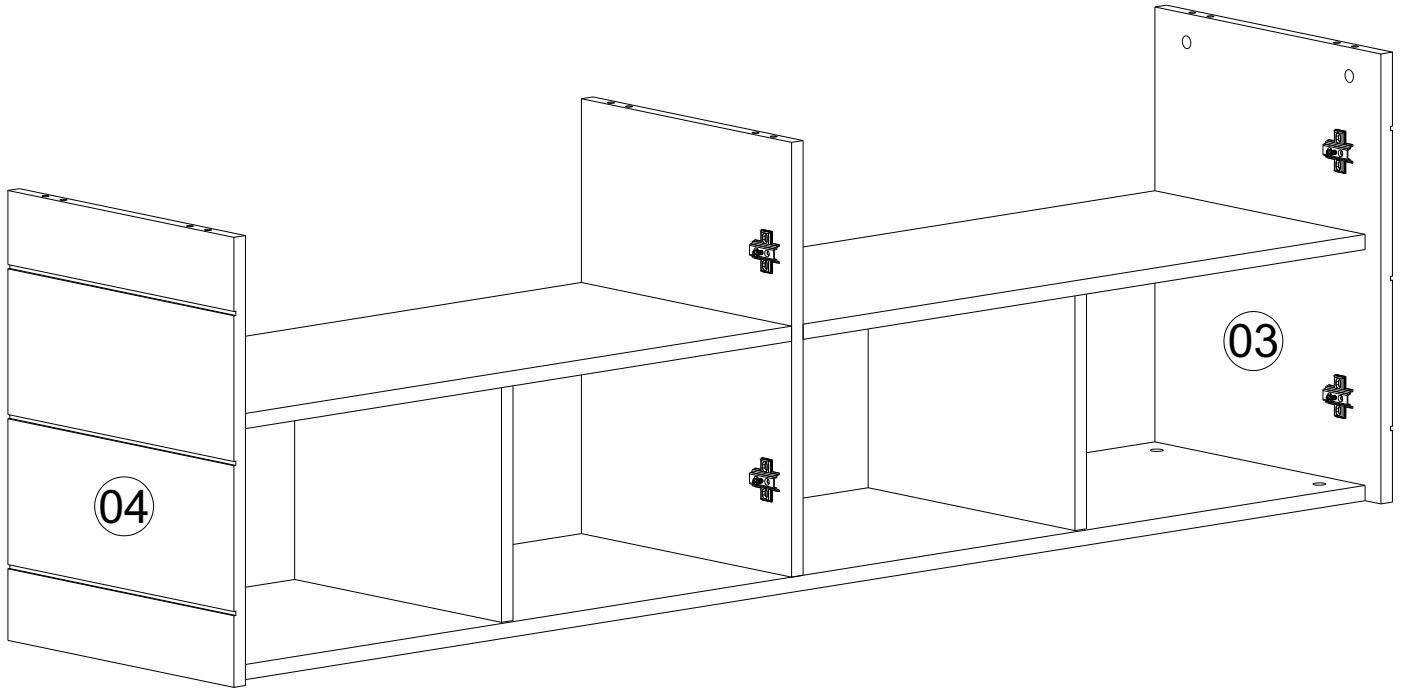
3



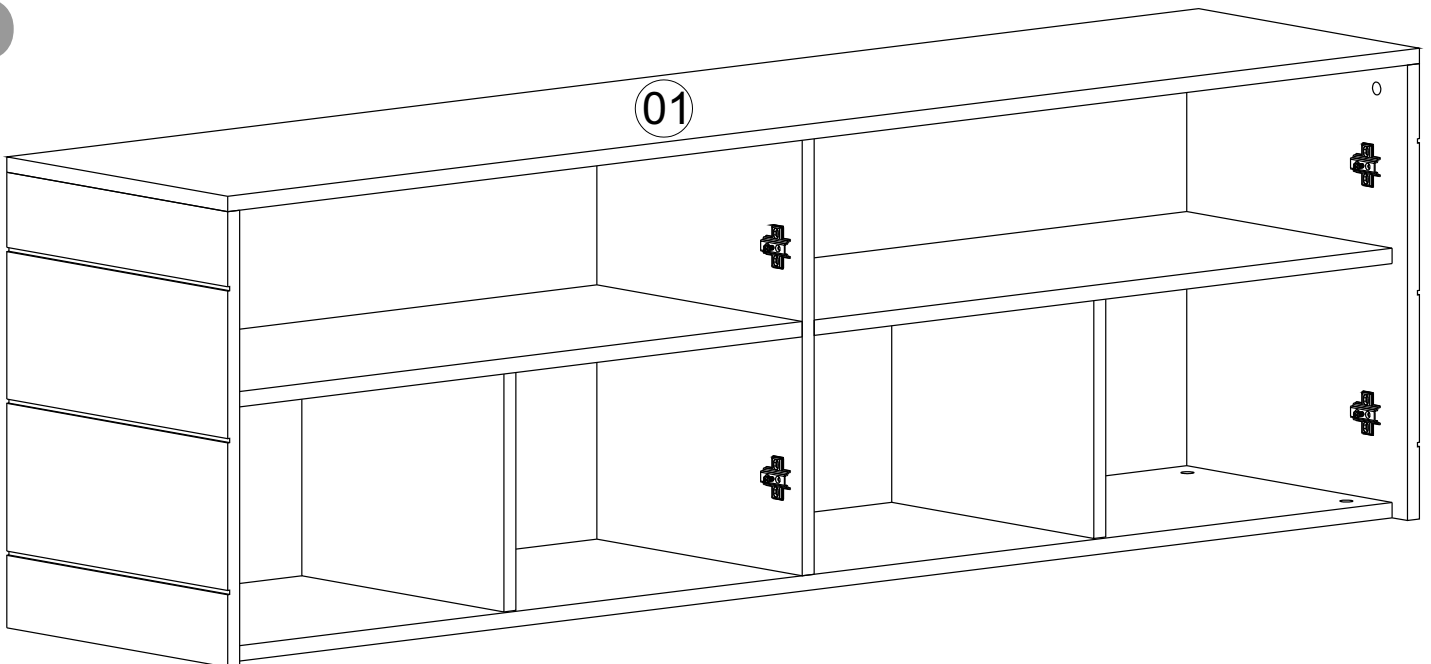
4



5

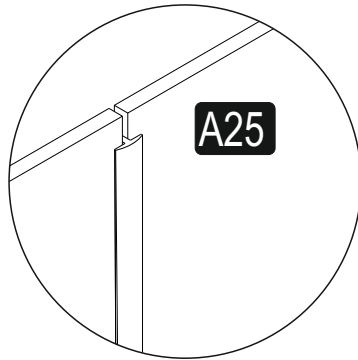
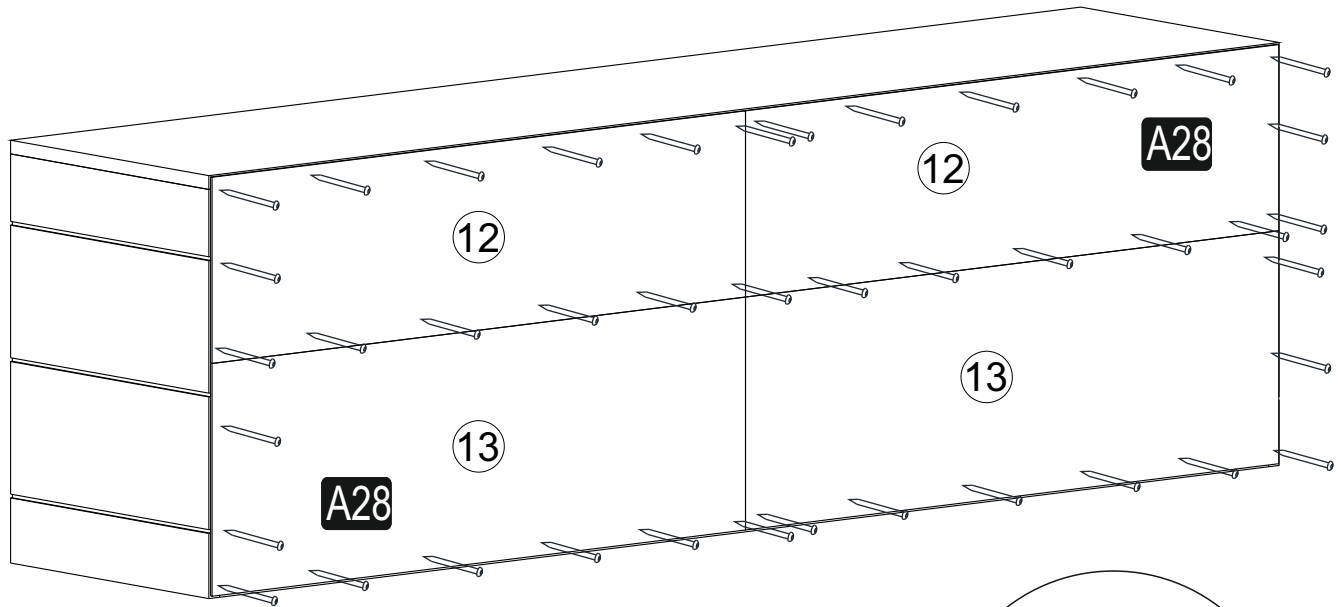


6

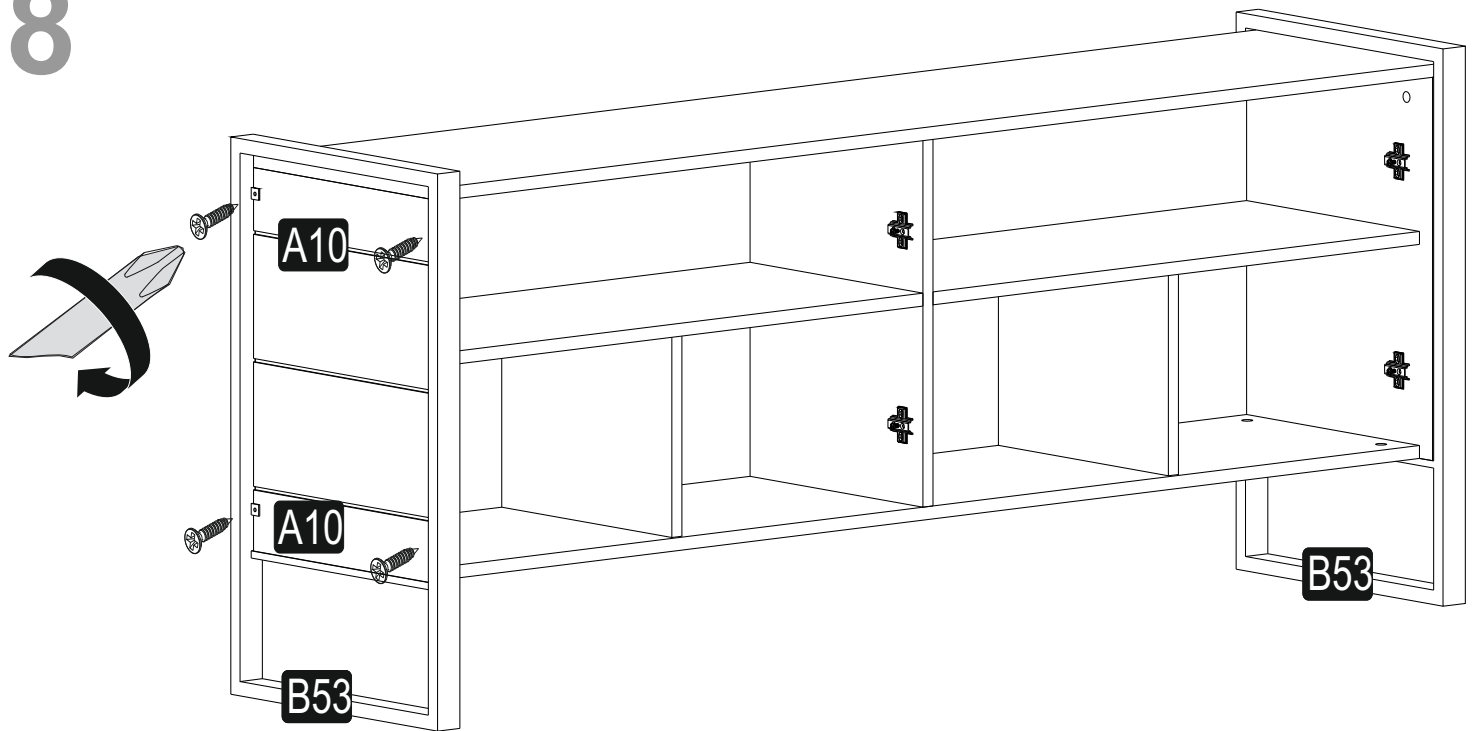


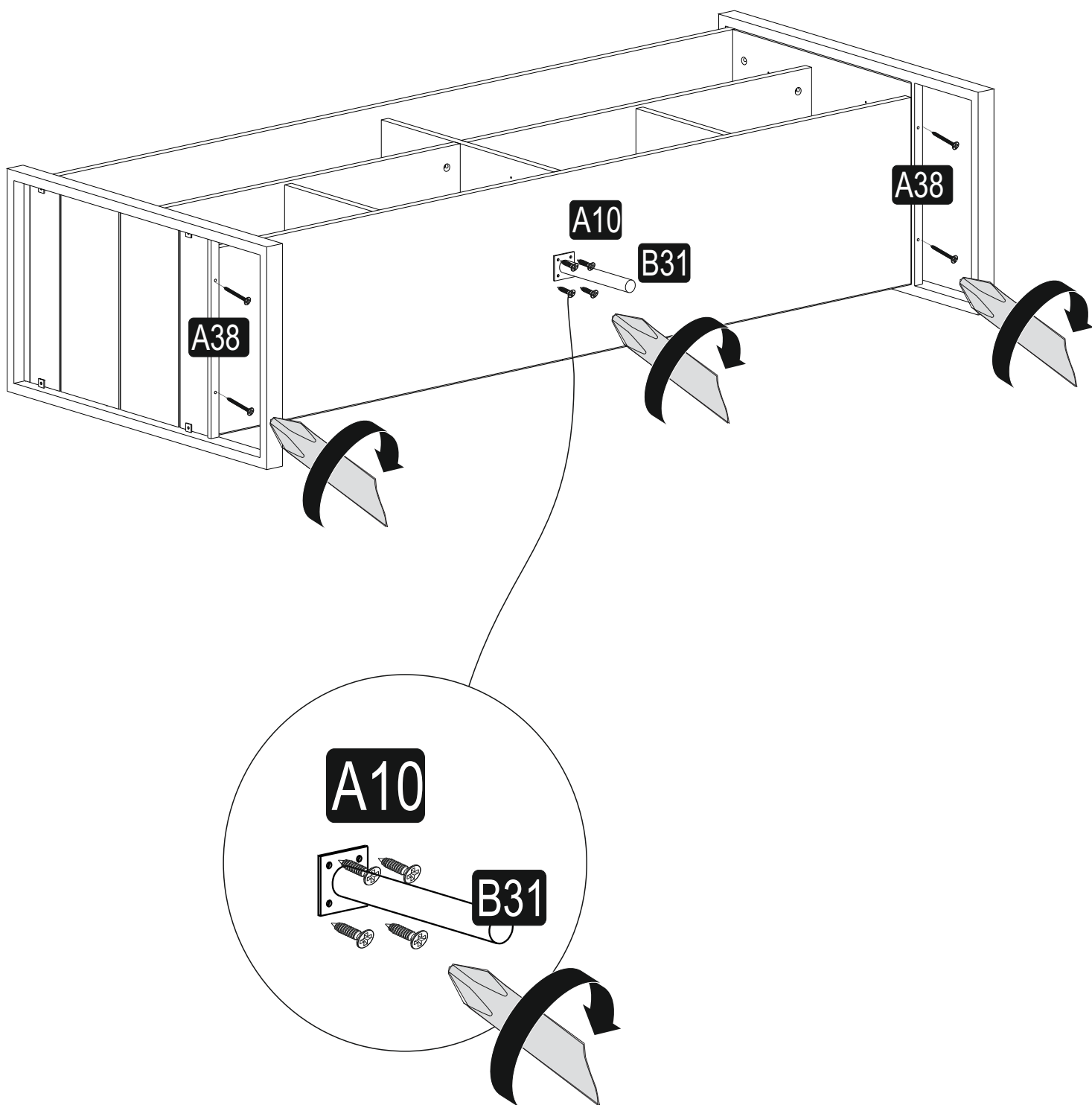


7



8





# 10

