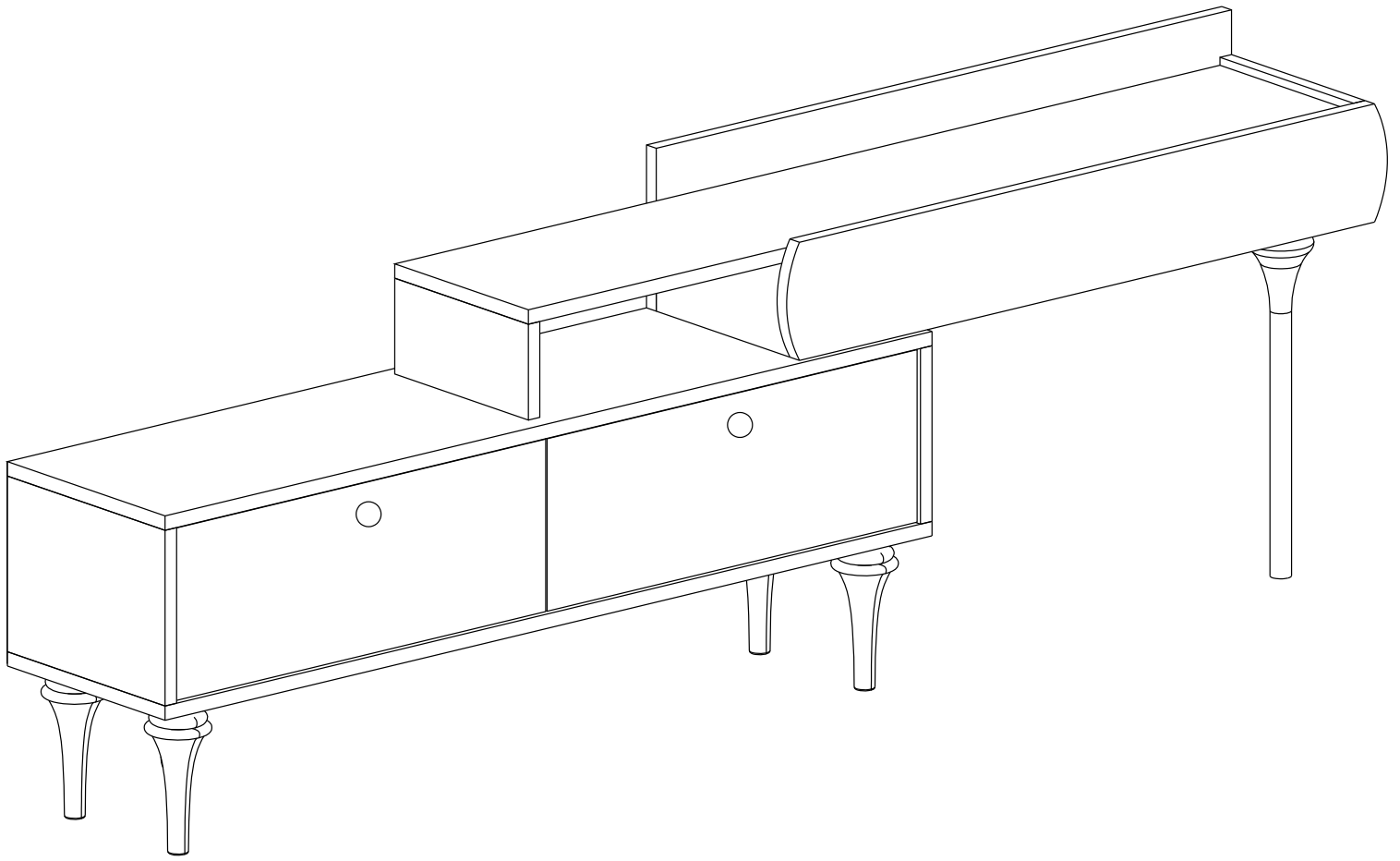
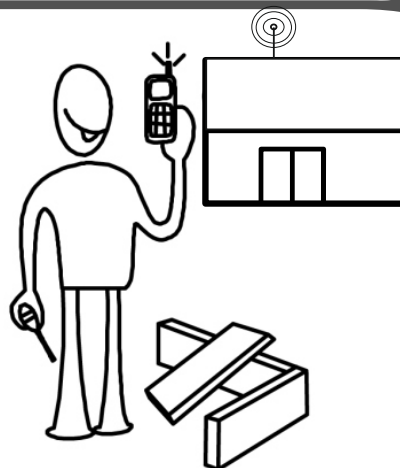
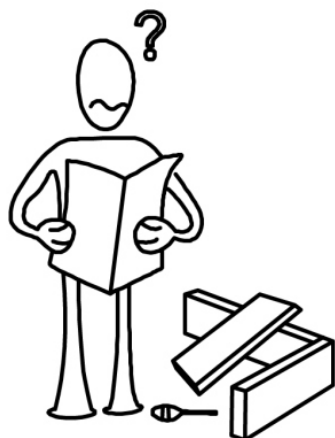
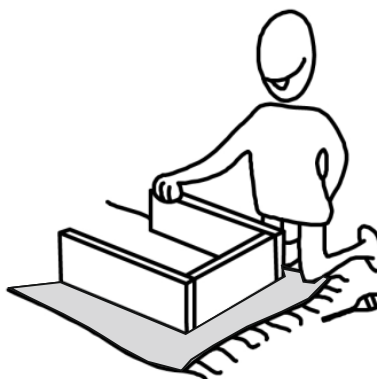
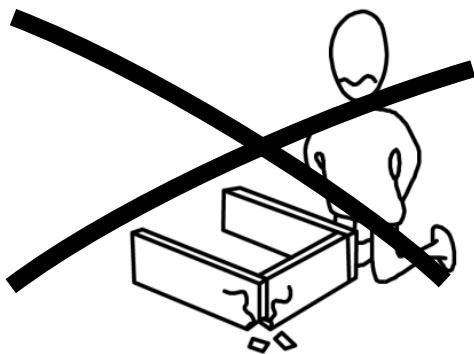
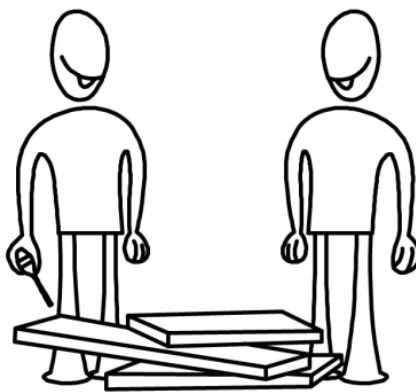
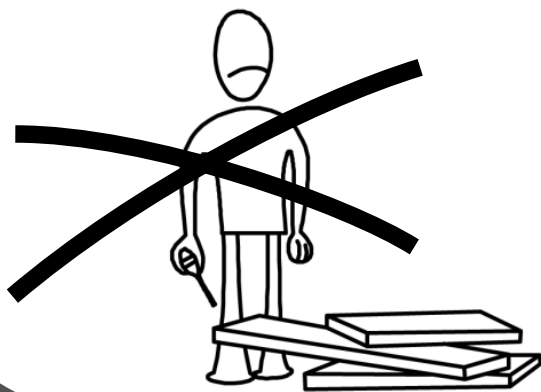
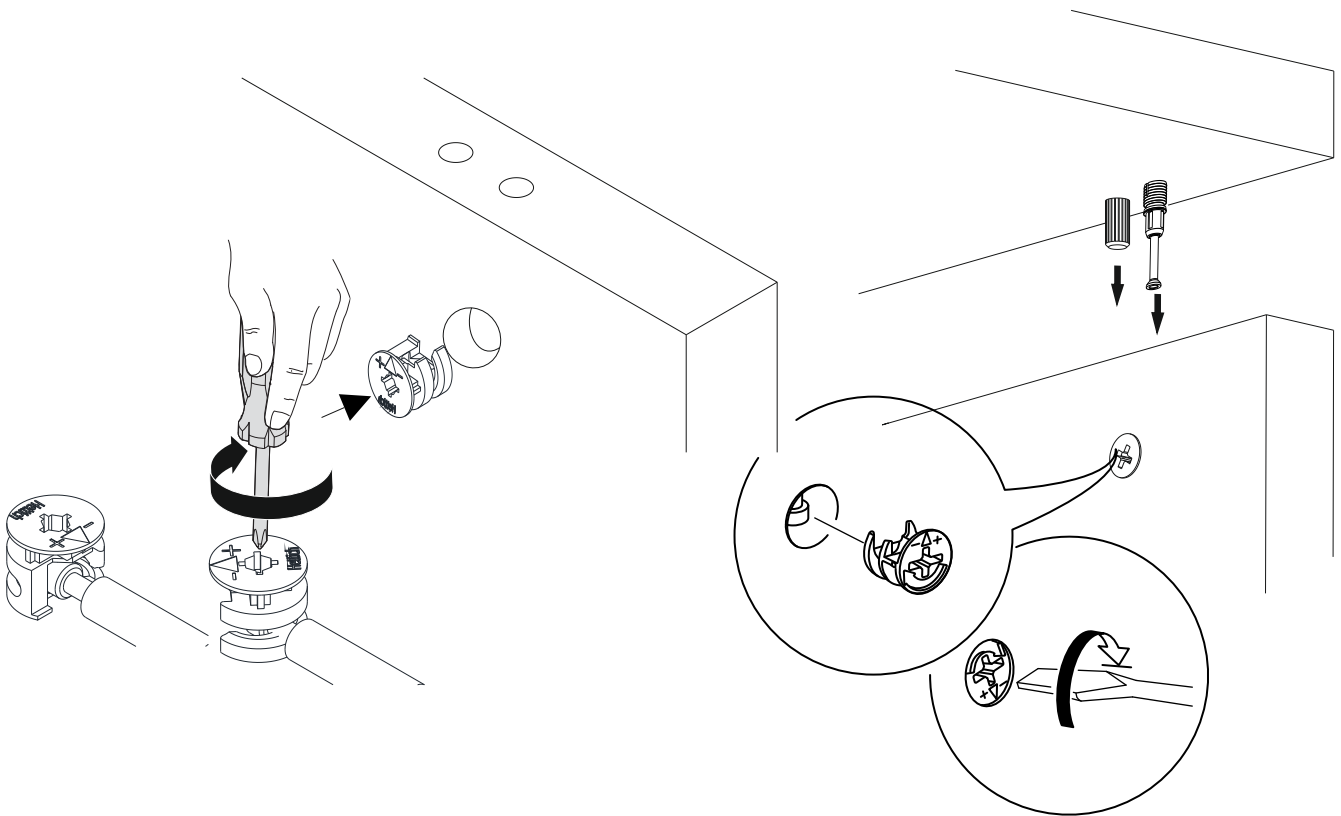
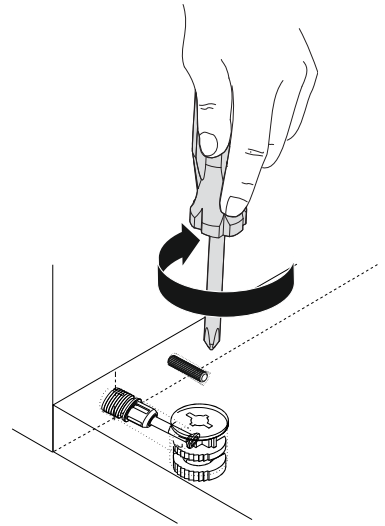
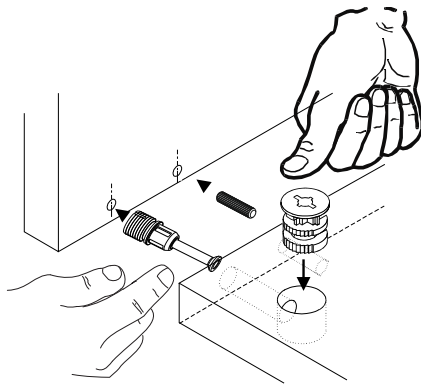
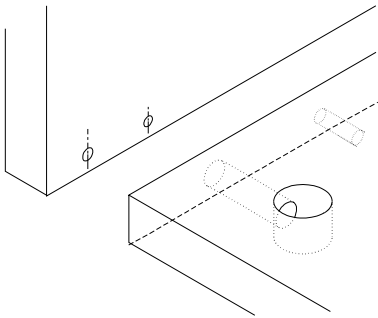
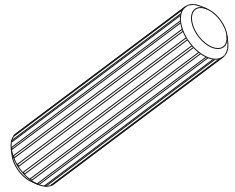
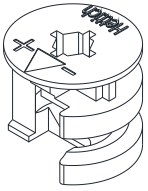



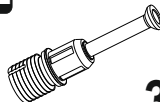
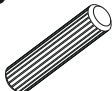
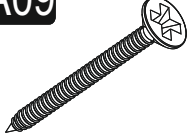

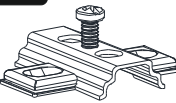
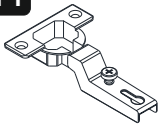

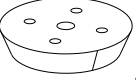

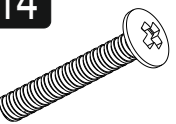
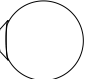

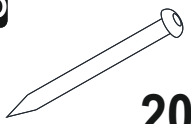


# MORPHEUS

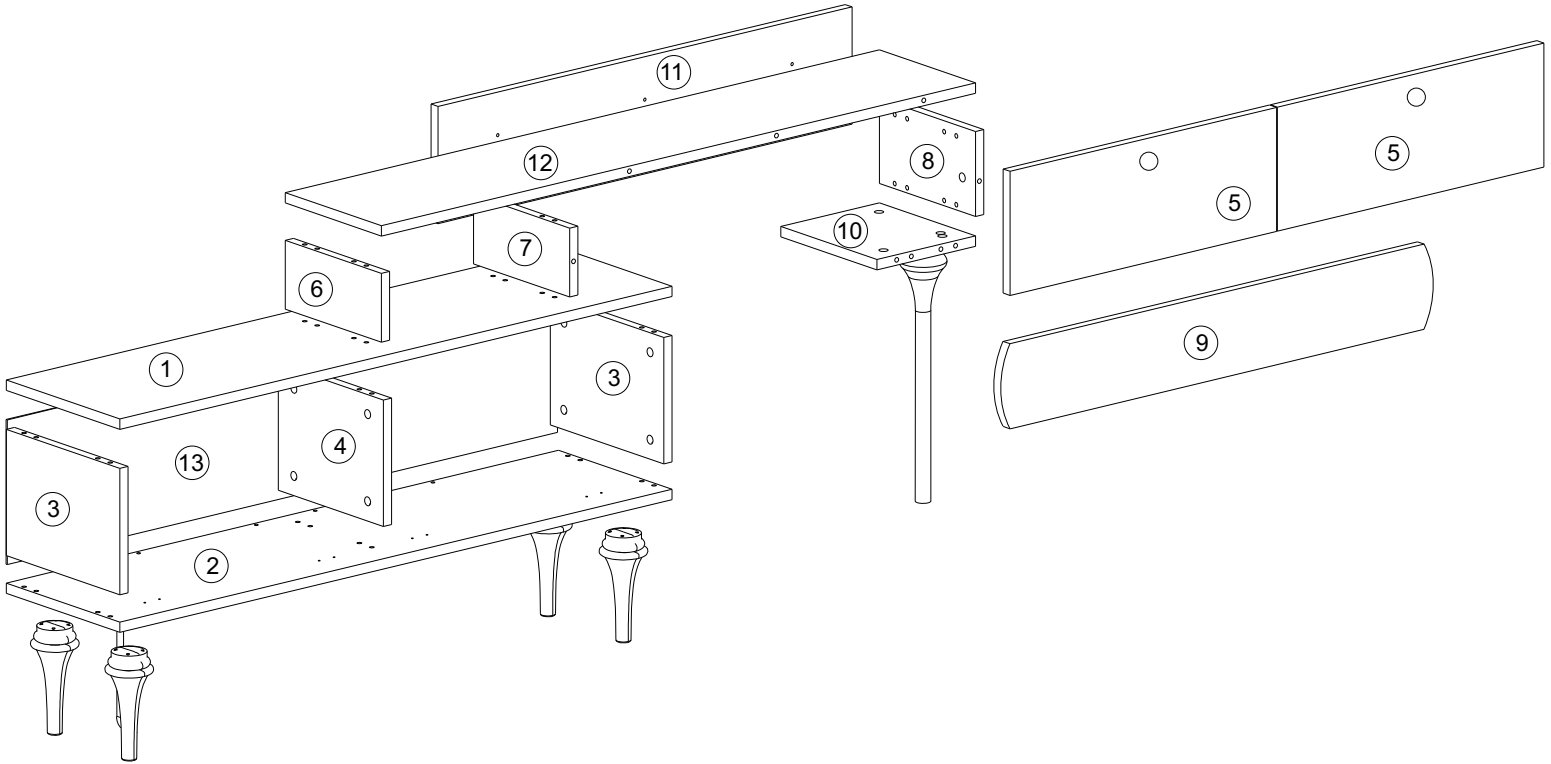
401084



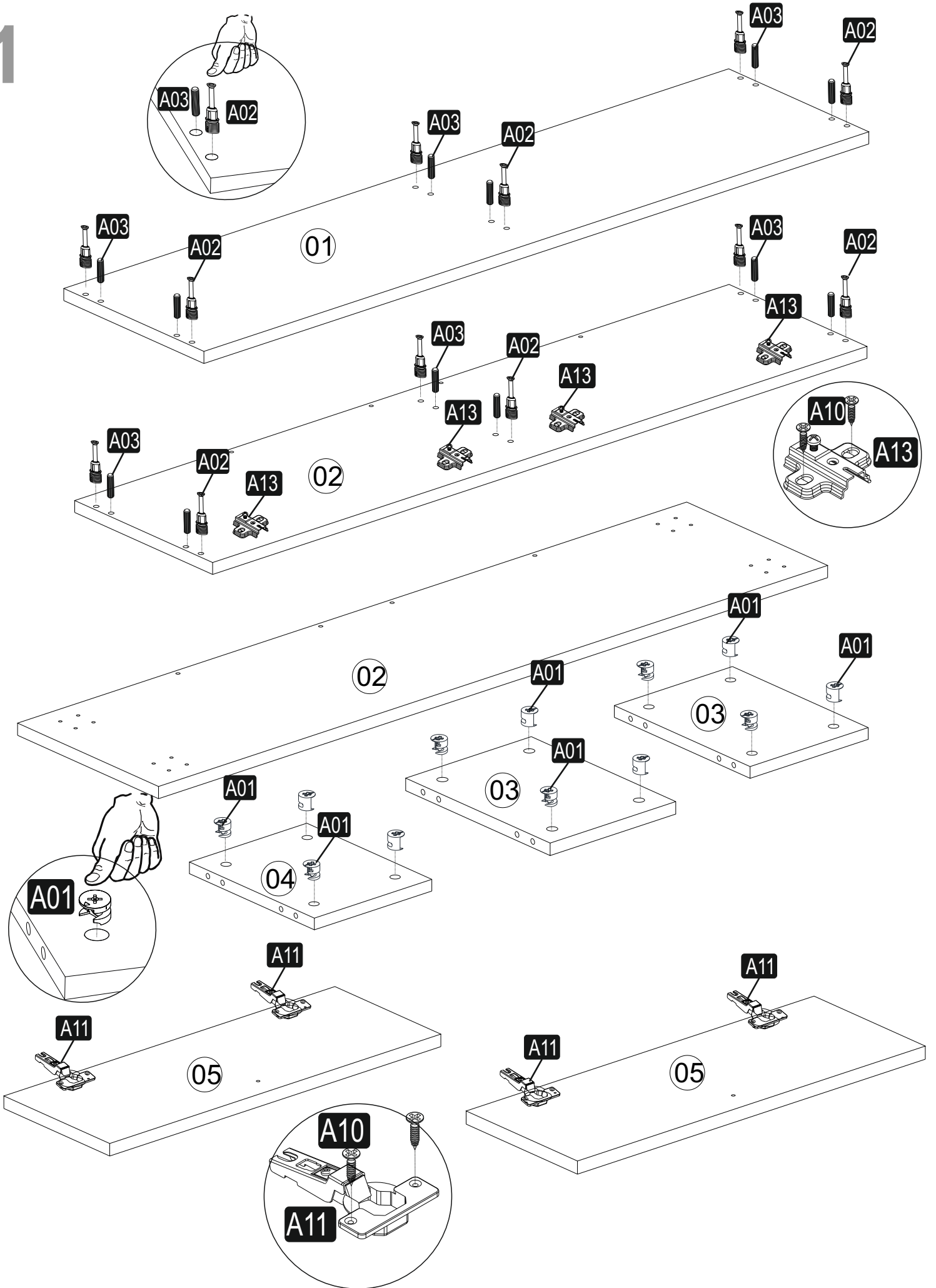




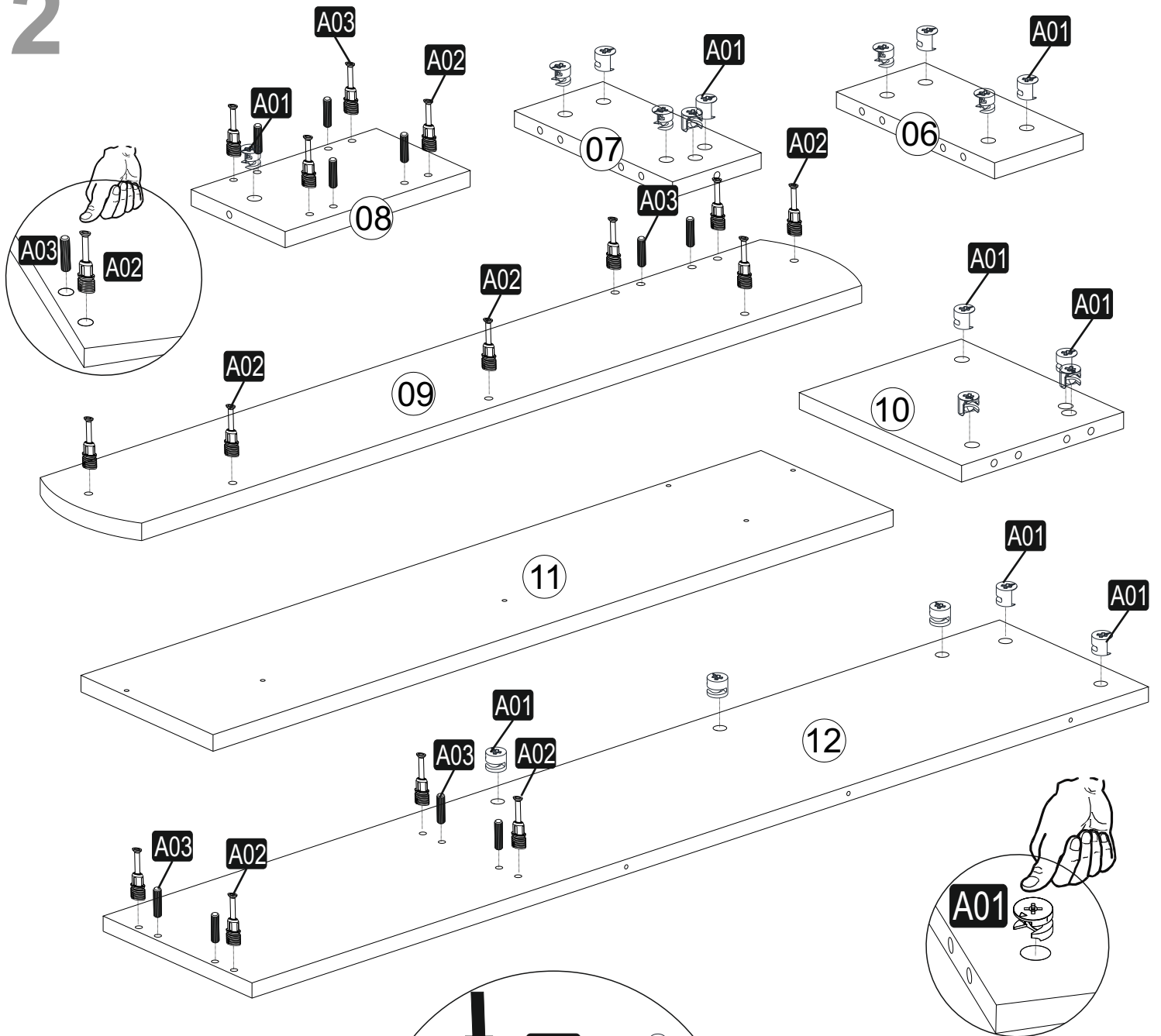
<b>A01</b>  <b>31x</b>	<b>A02</b>  <b>31x</b>	<b>A03</b>  <b>26x</b>	<b>A09</b> 4x50  <b>6x</b>	<b>A10</b> 3,5x18  <b>32x</b>
<b>A13</b>  <b>4x</b>	<b>A11</b>  <b>4x</b>	<b>A20</b> 3,5x25  <b>4x</b>	<b>B22</b>  <b>1x</b>	<b>B42</b> 19 CM  <b>4x</b>
<b>A14</b> M4x22  <b>2x</b>	<b>C20</b>  <b>2x</b>	<b>C21</b> 434 MM  <b>1x</b>	<b>A28</b>  <b>20x</b>	<b>A04</b>  <b>A 31x</b>
<b>A16</b>  <b>A 6x</b>				



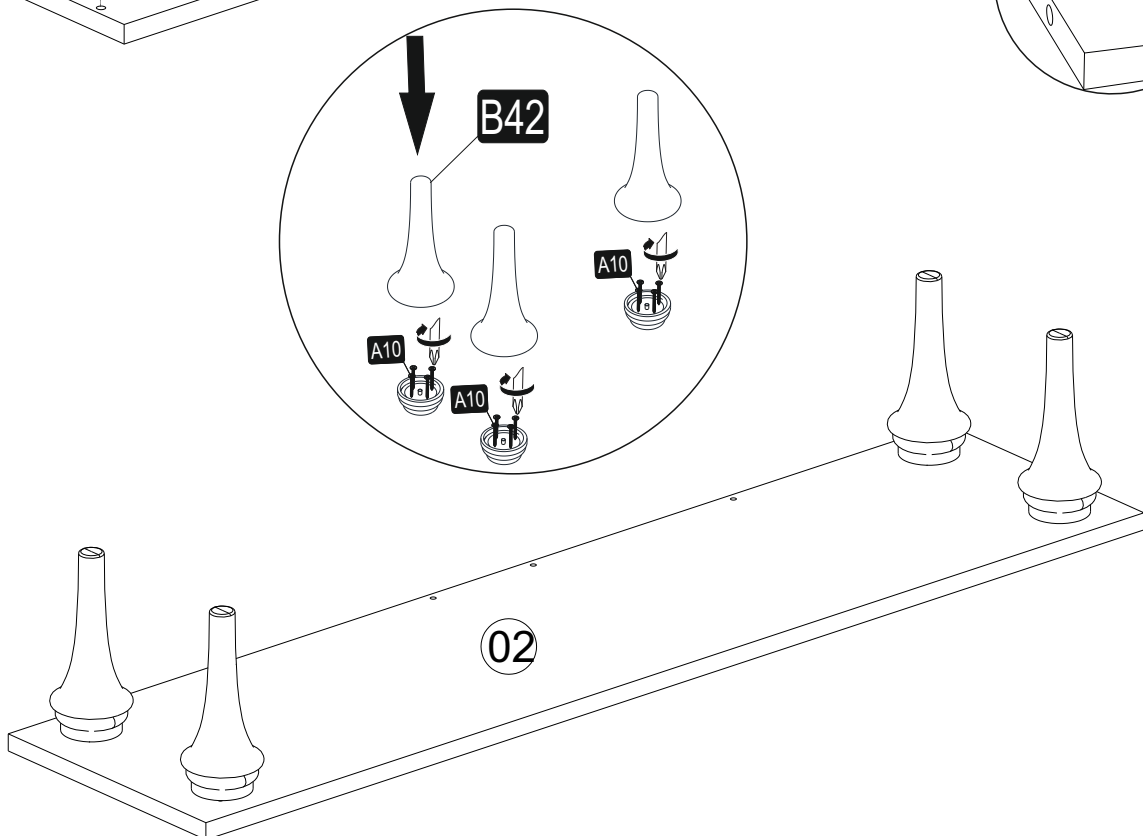
1



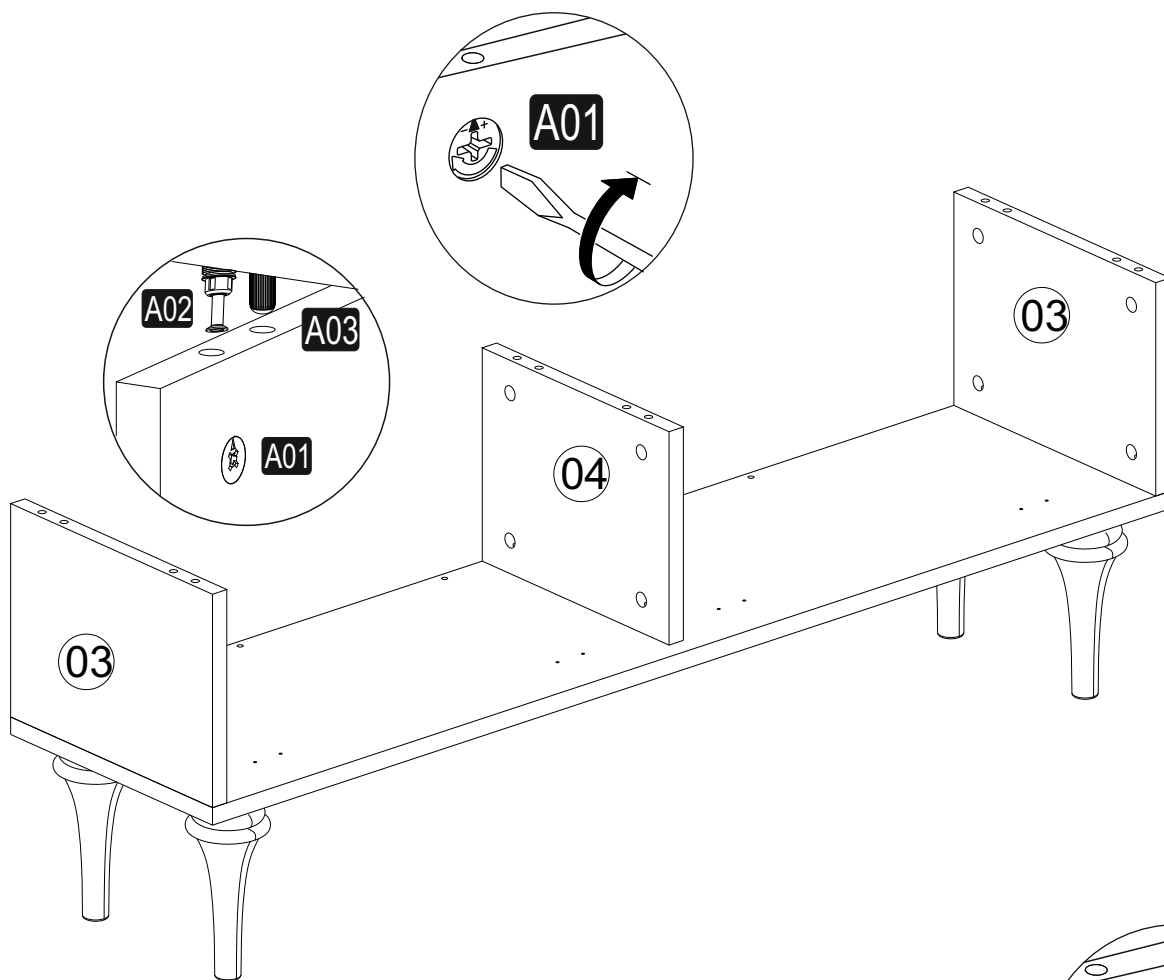
# 2



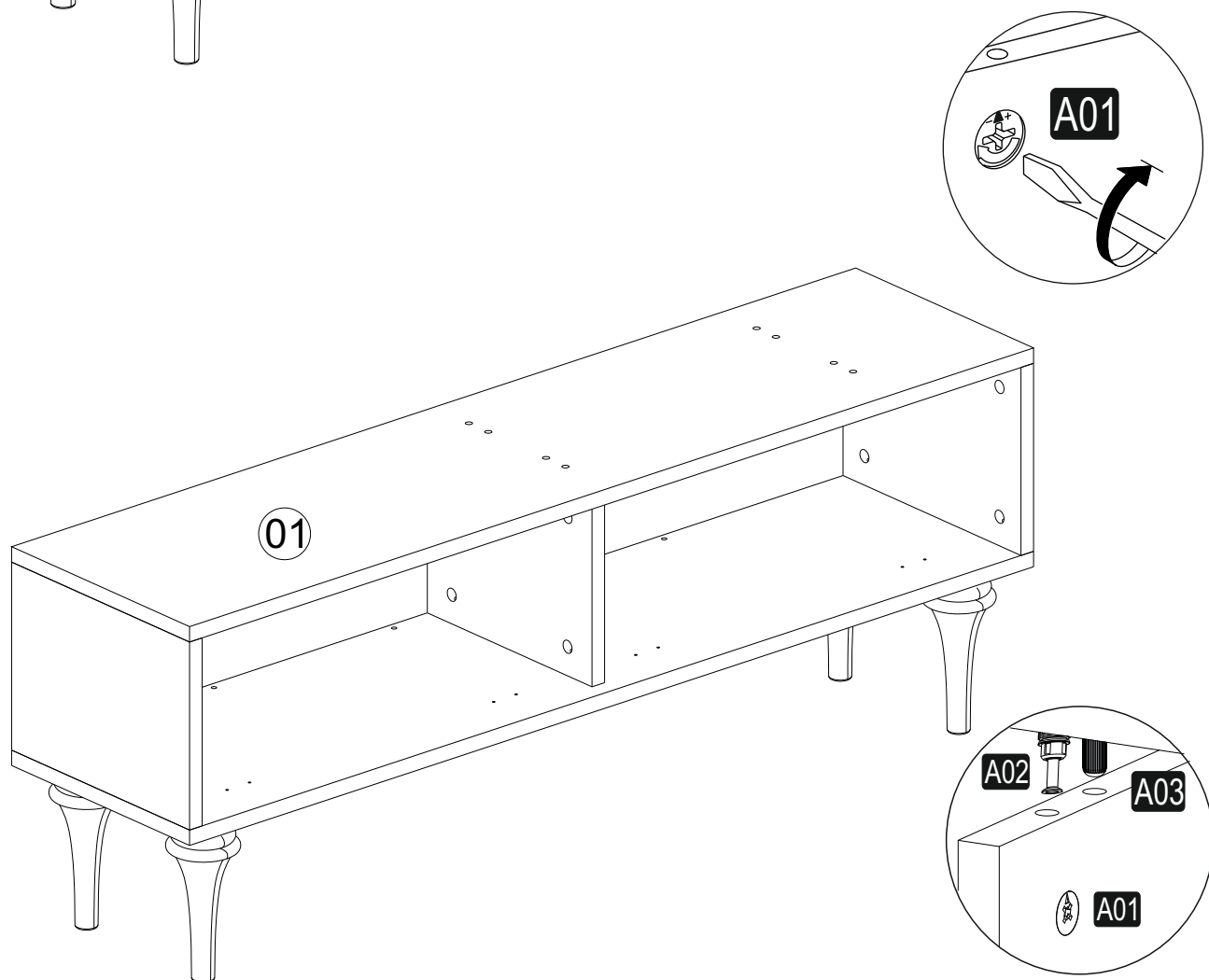
# 3



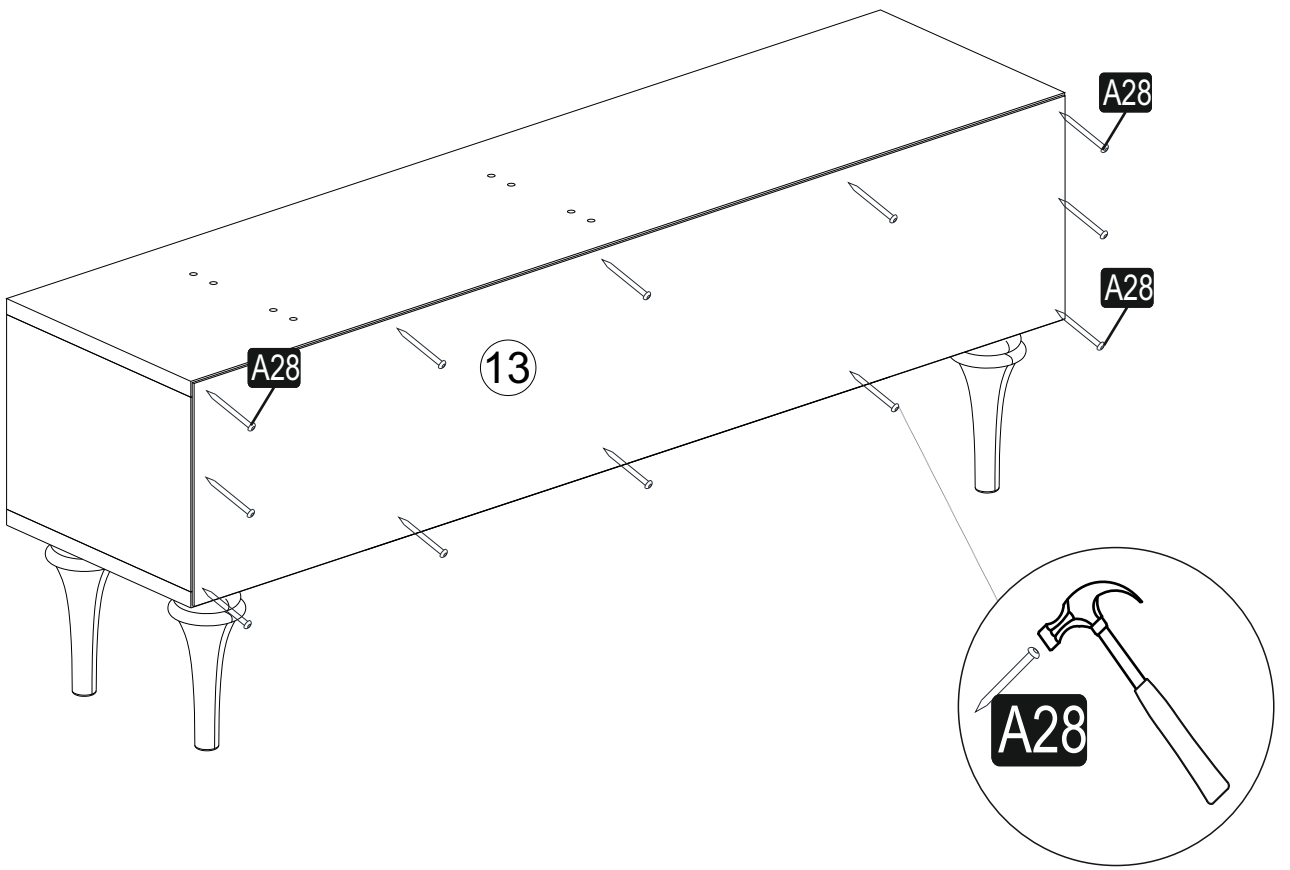
4



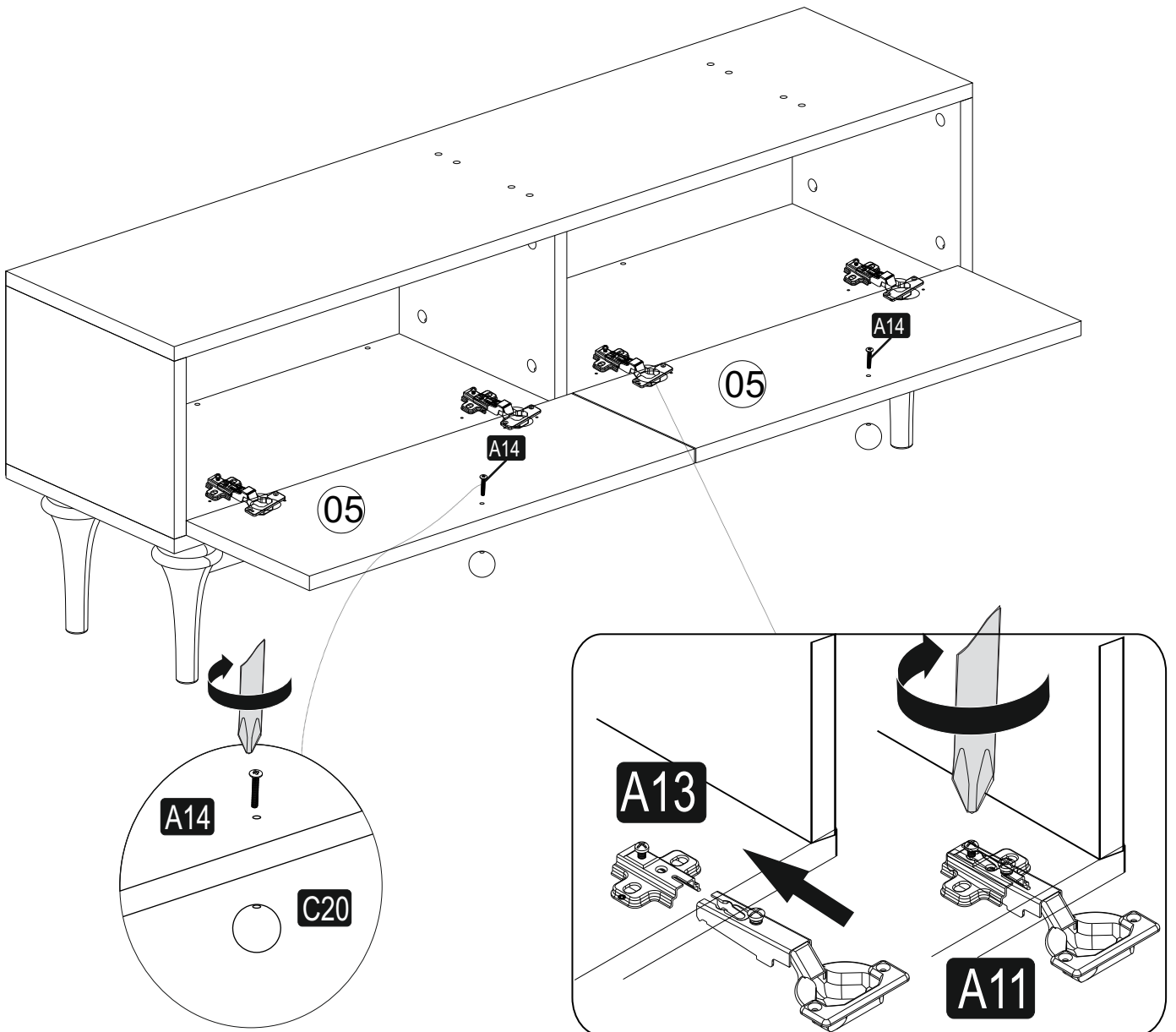
5



6

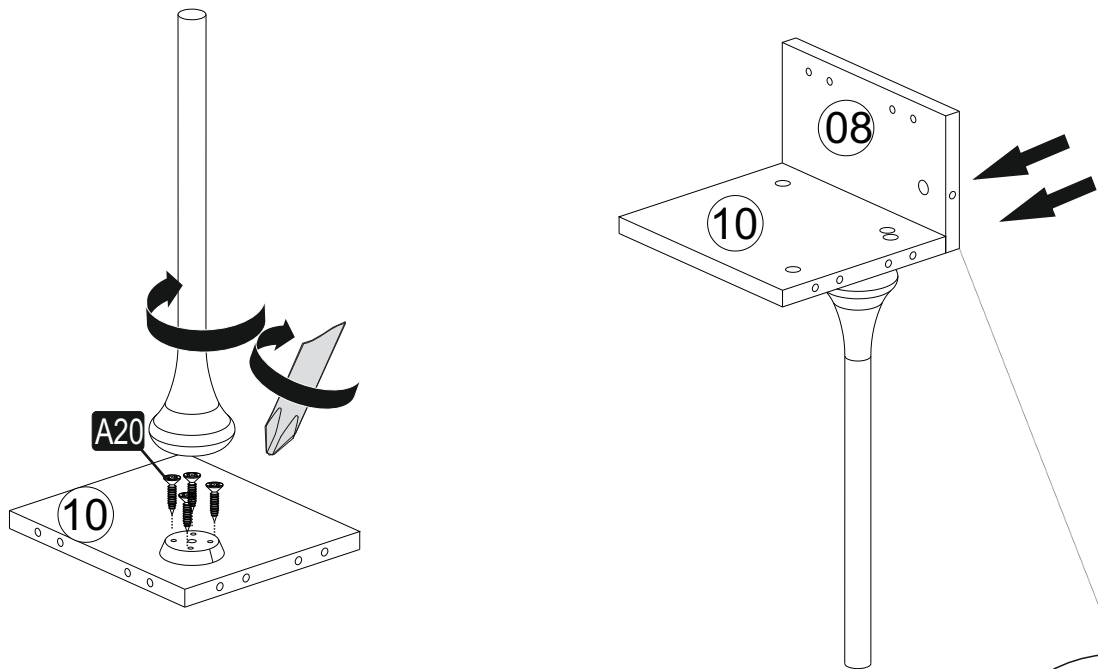


7

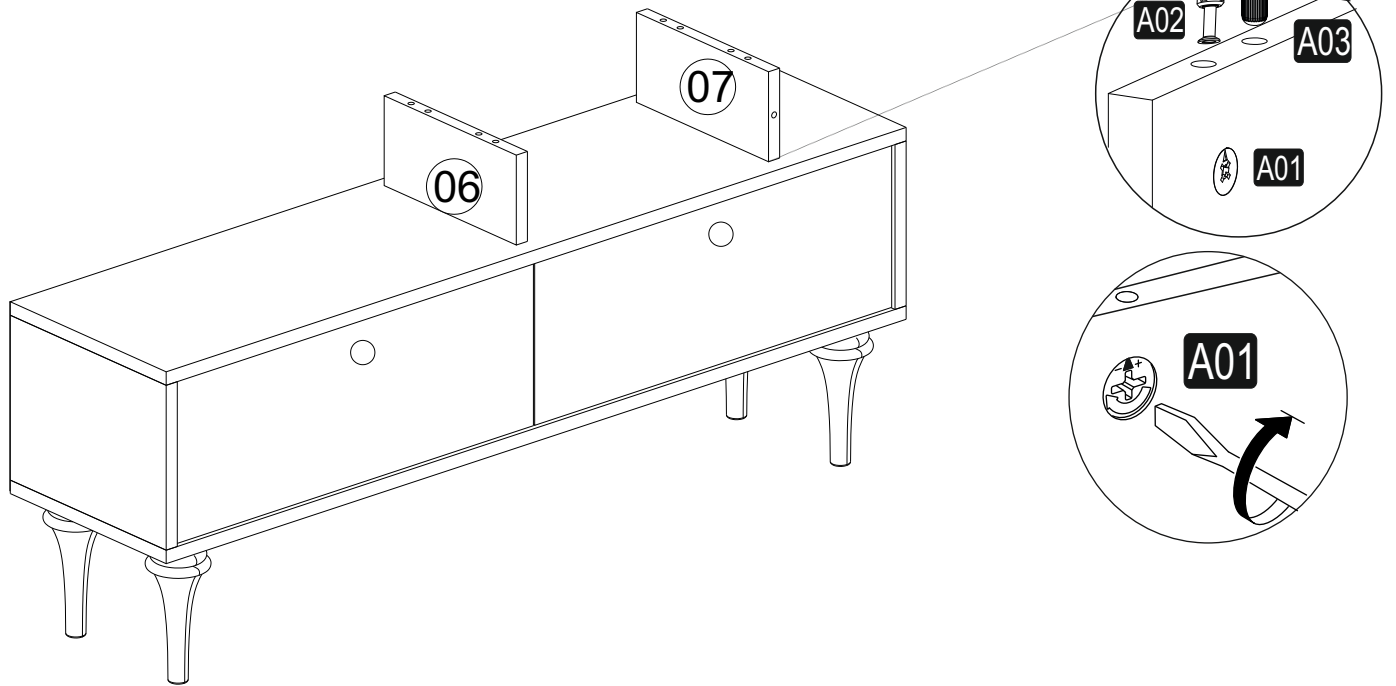




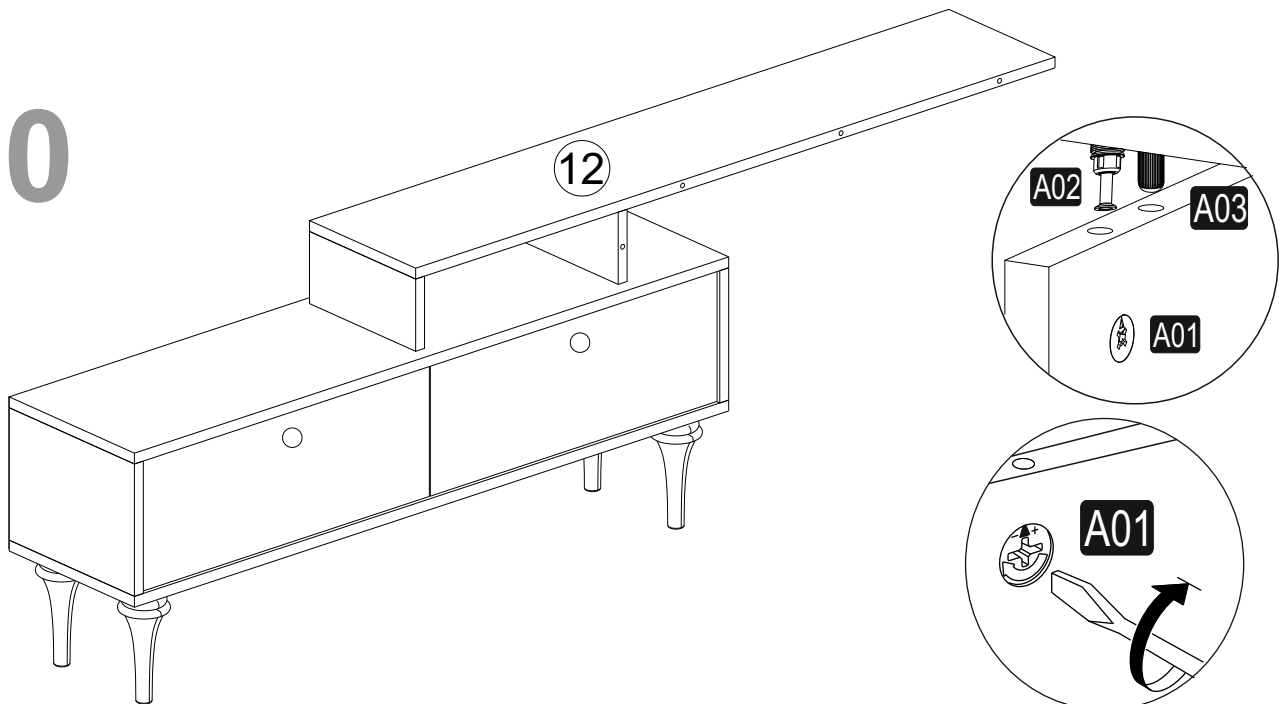
8



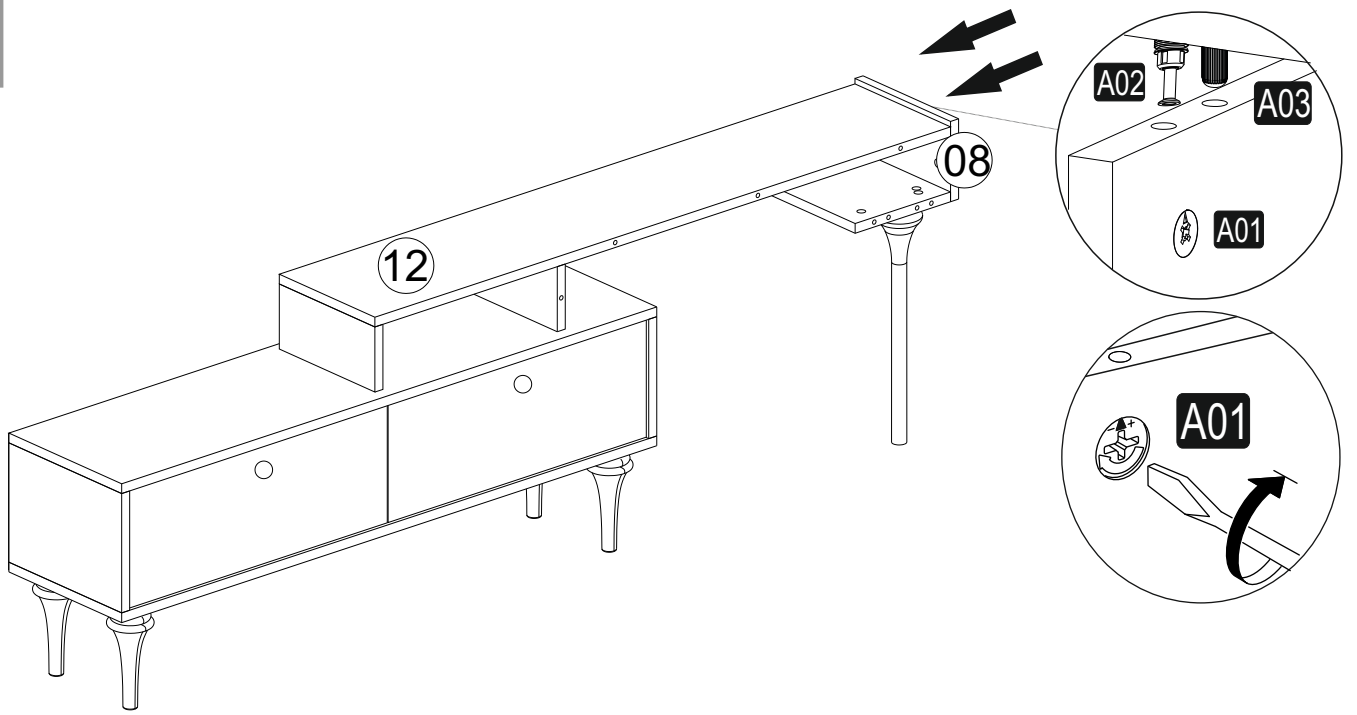
9



10



# 11



# 12

