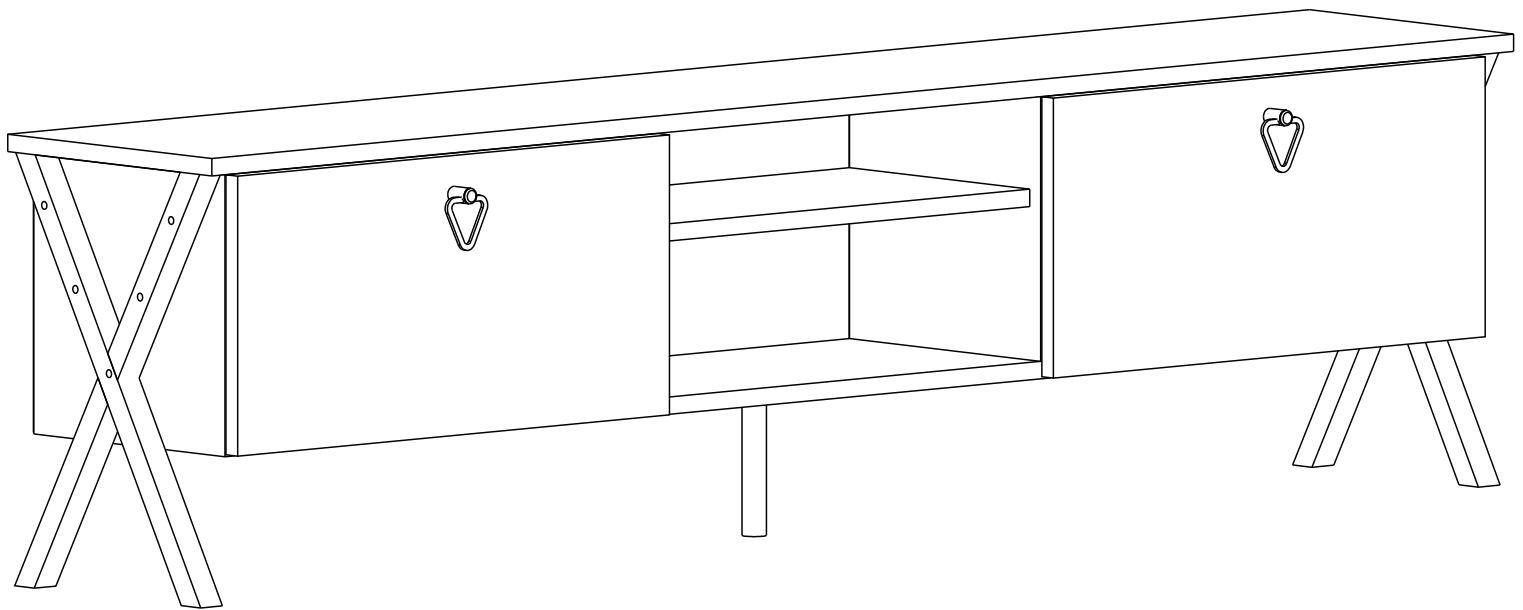
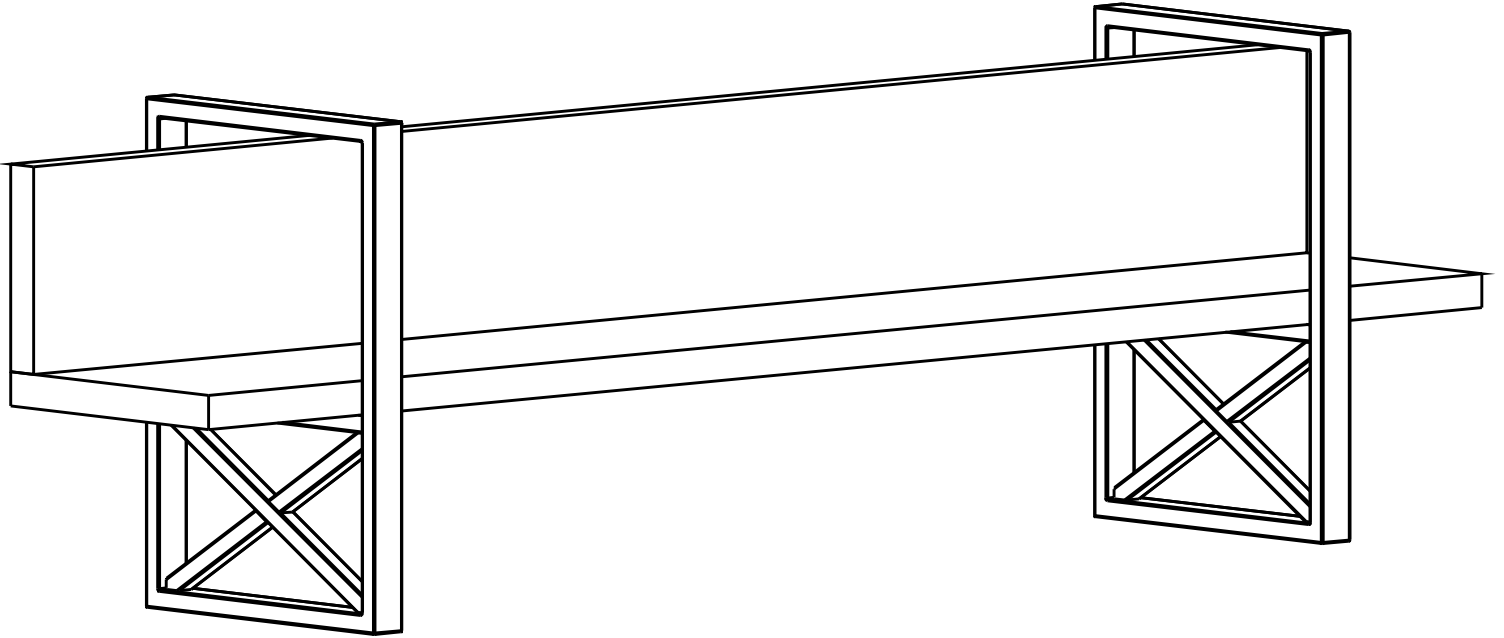
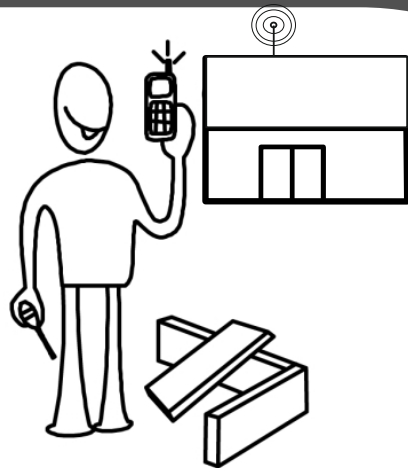
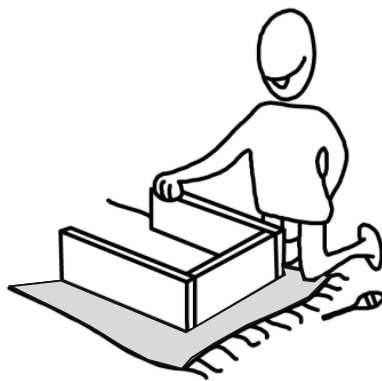
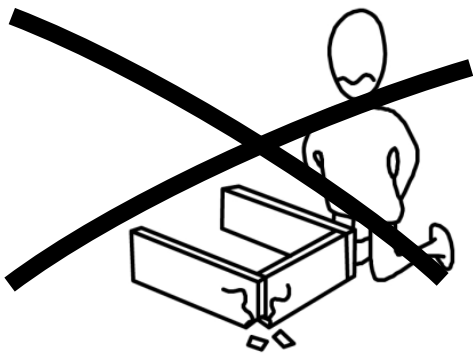
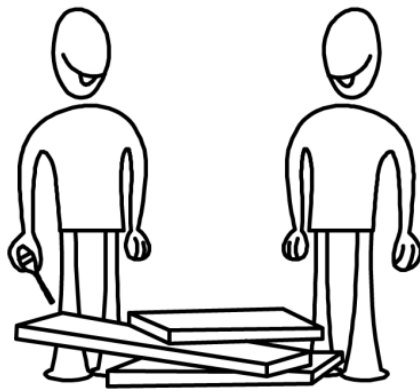
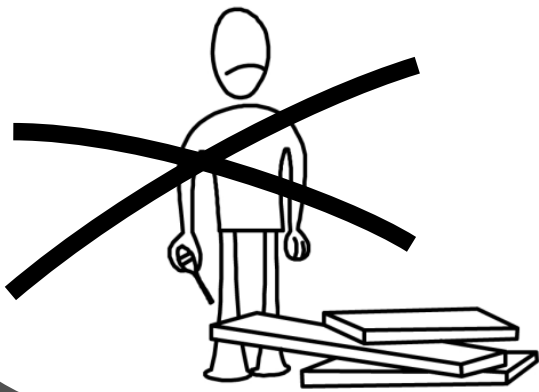
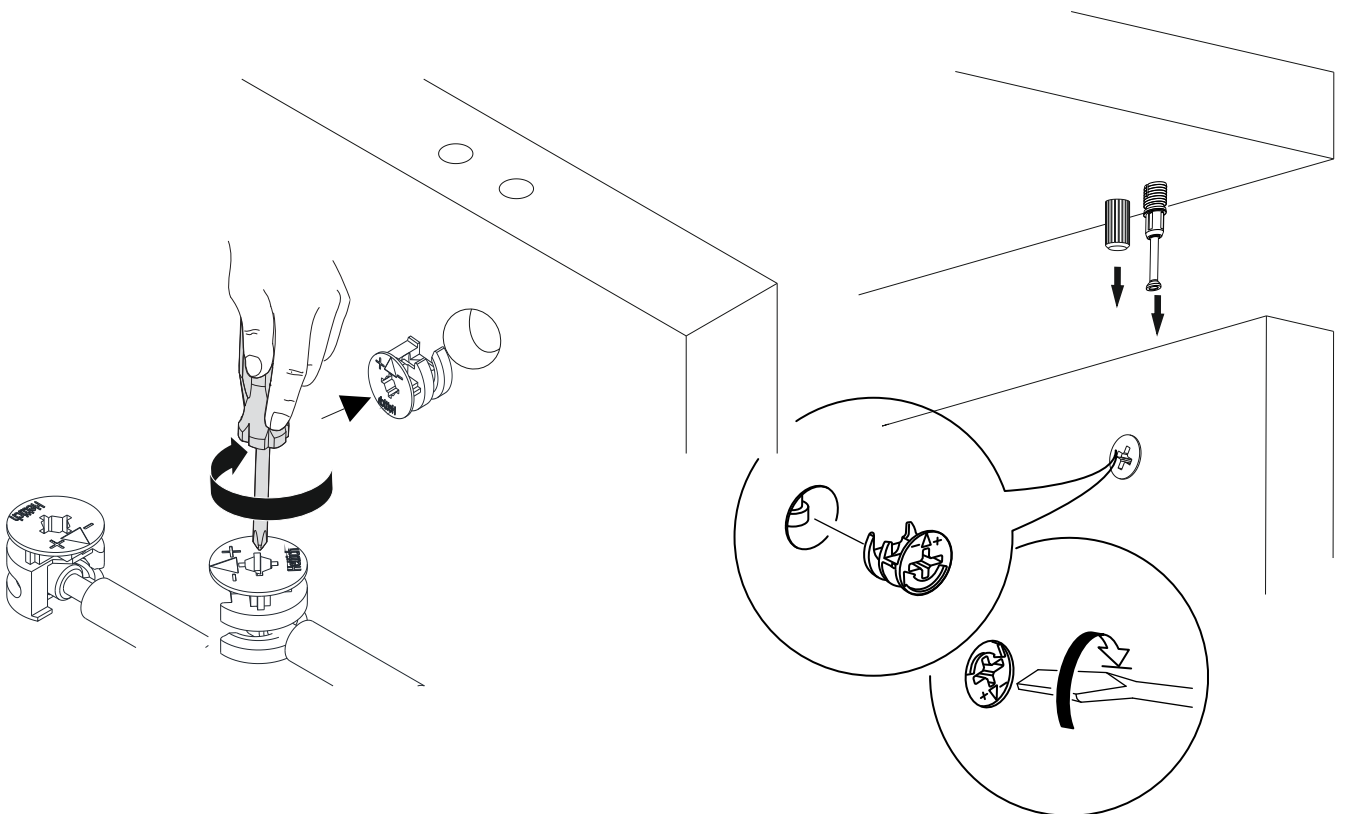
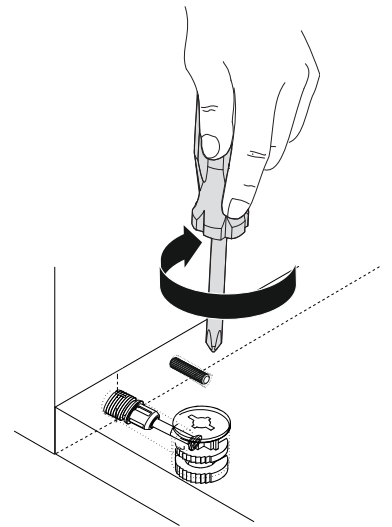
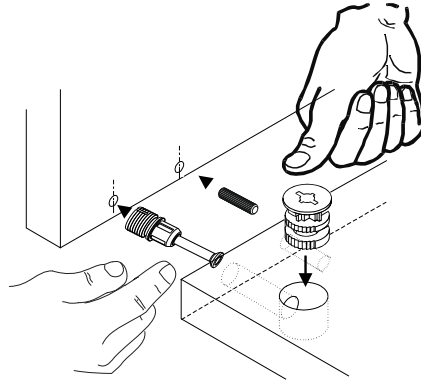
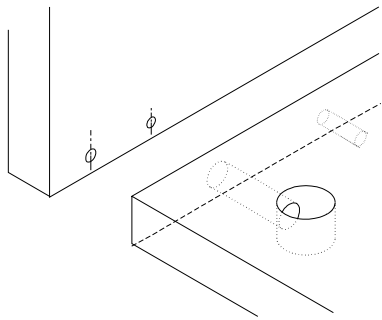
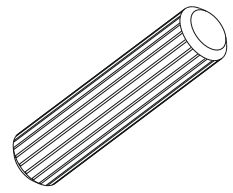
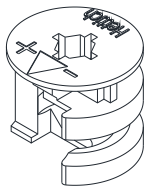


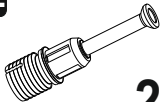

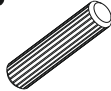
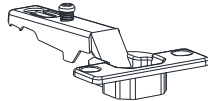
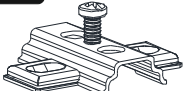

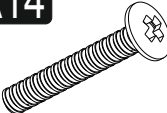

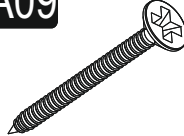
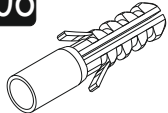






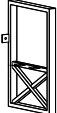

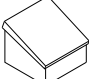
# CHLOE

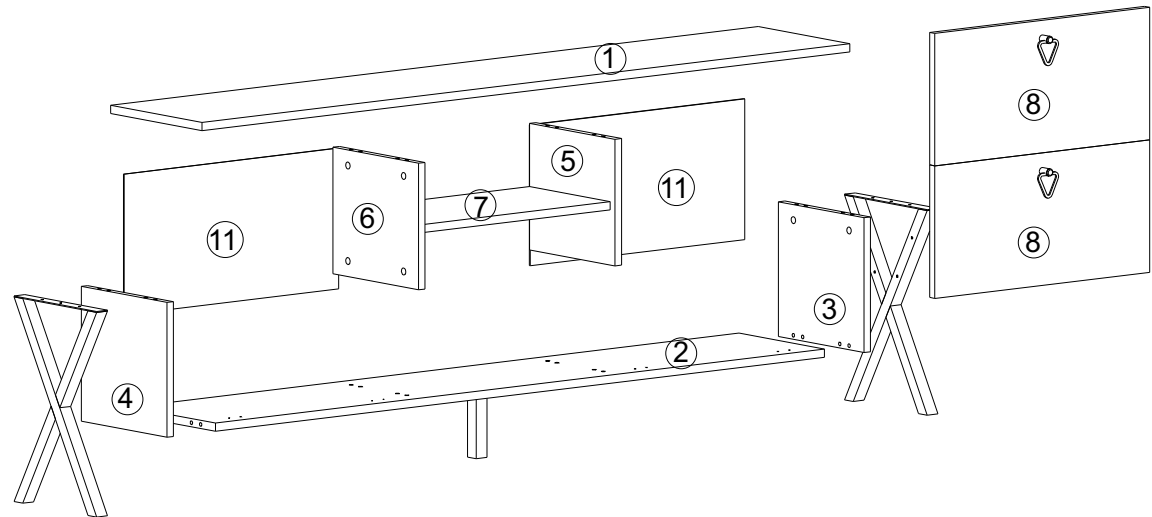
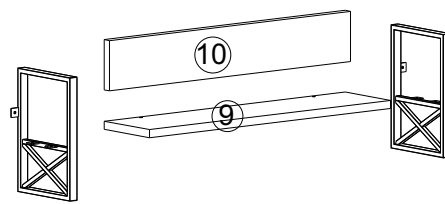
401076



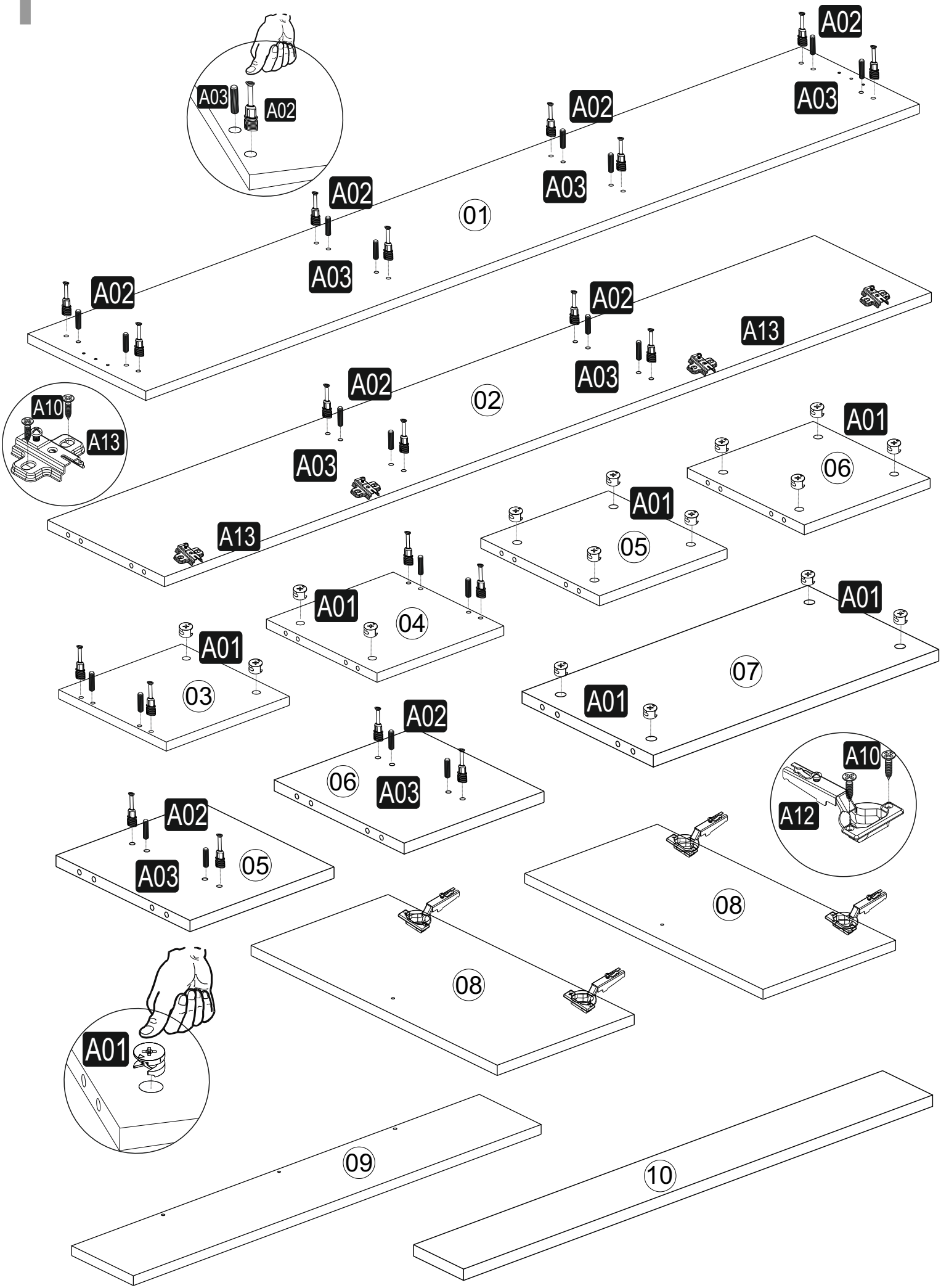




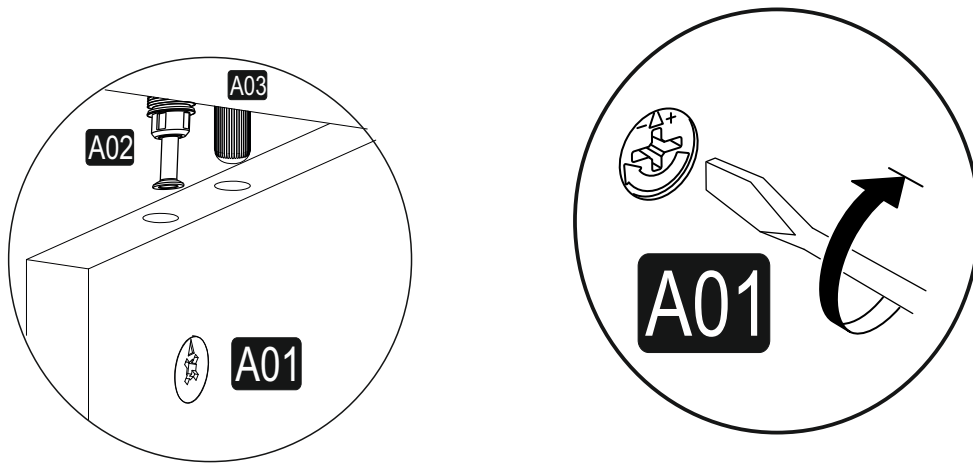
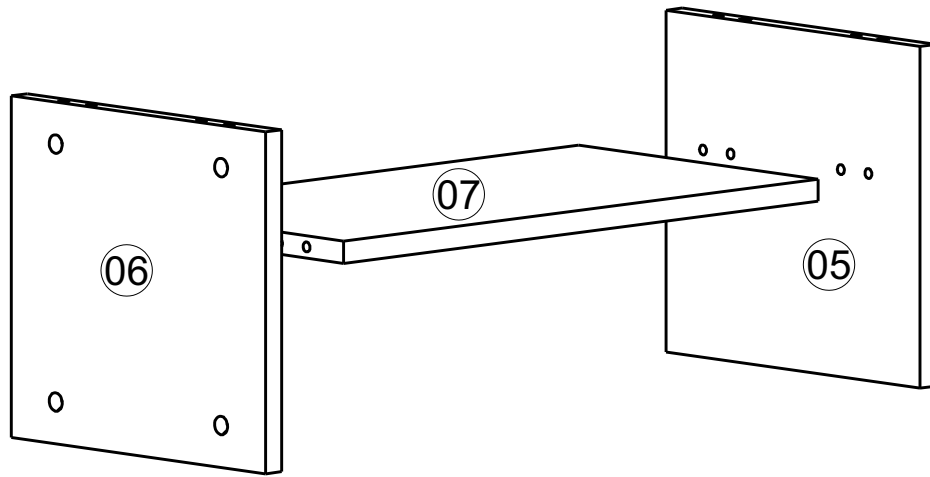
<b>A02</b>  20x	<b>A01</b>  20x	<b>A03</b>  20x	<b>A12</b>  4x	<b>A13</b>  4x
<b>B08</b>  2x	<b>A14</b> M4x22  2x	<b>A10</b> 3,5x18  40x	<b>A09</b> 4x50  5x	<b>A08</b> Ø8  2x
<b>A28</b>  26x	<b>B24</b> DKR-45 H150mm  1x	<b>A04</b>  A 20x	<b>A16</b>  A 3x	<b>B25</b> Ø8  10x
<b>B38</b> DKR-044 H450  2x	<b>B51</b> DKR-042 H270  1x	<b>B52</b> DKR-043 H270  1x	<b>D46</b> 30*30  4x	



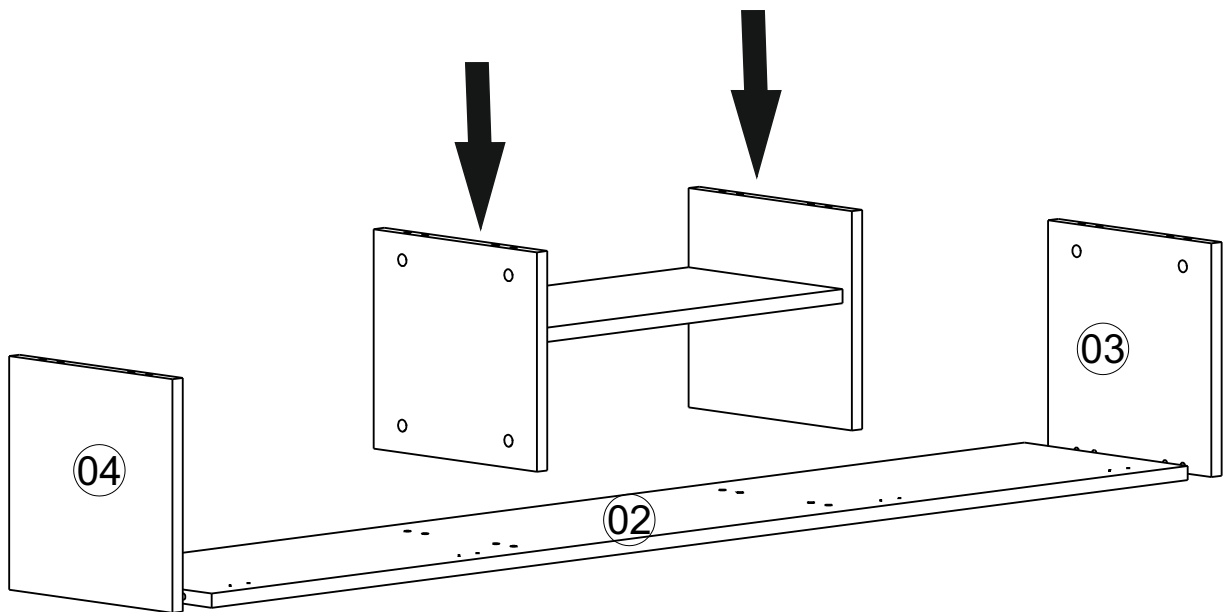
1



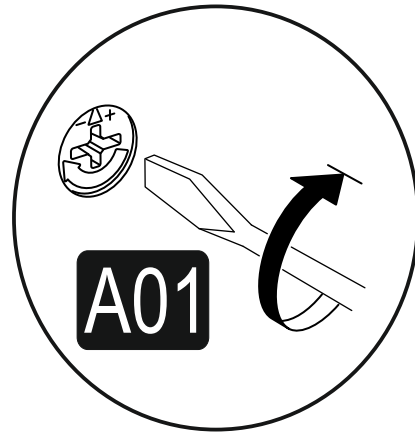
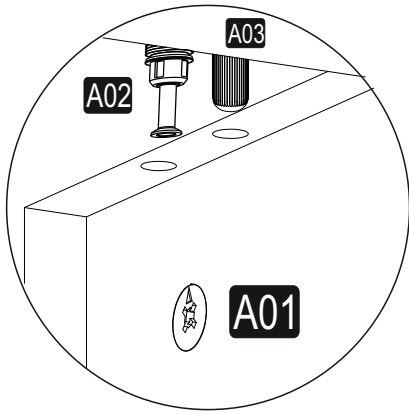
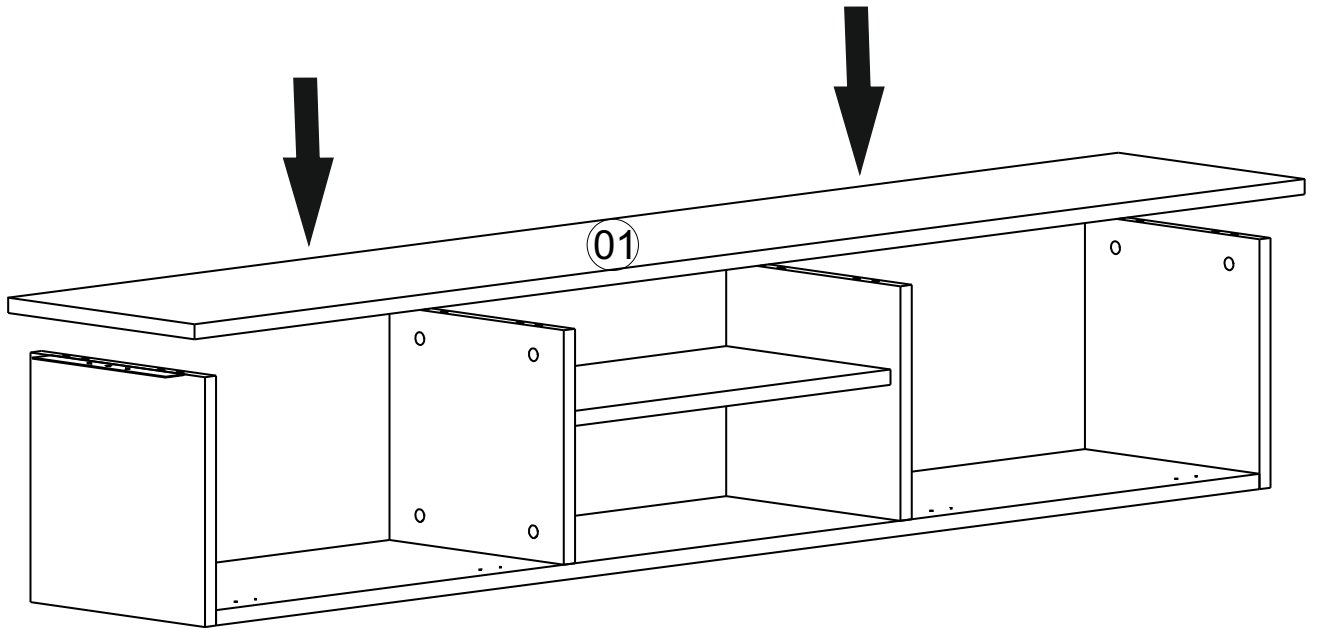
# 2



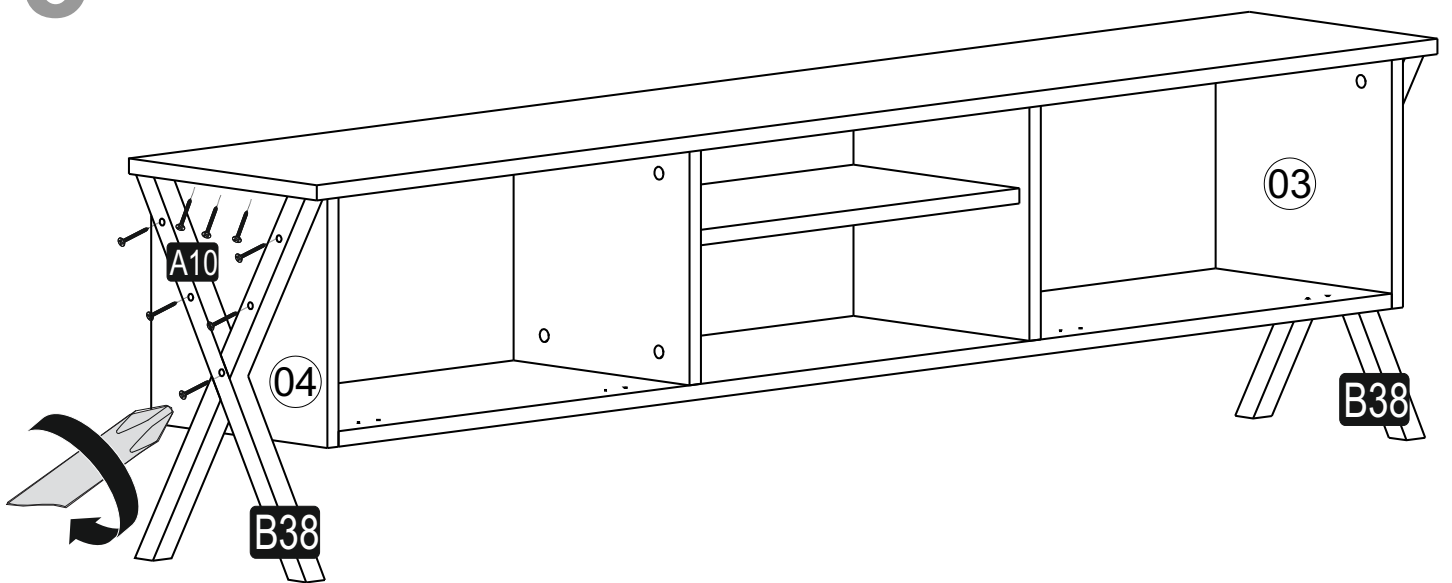
# 3



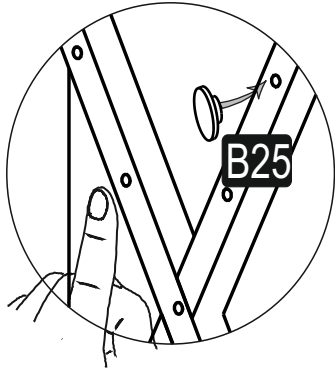
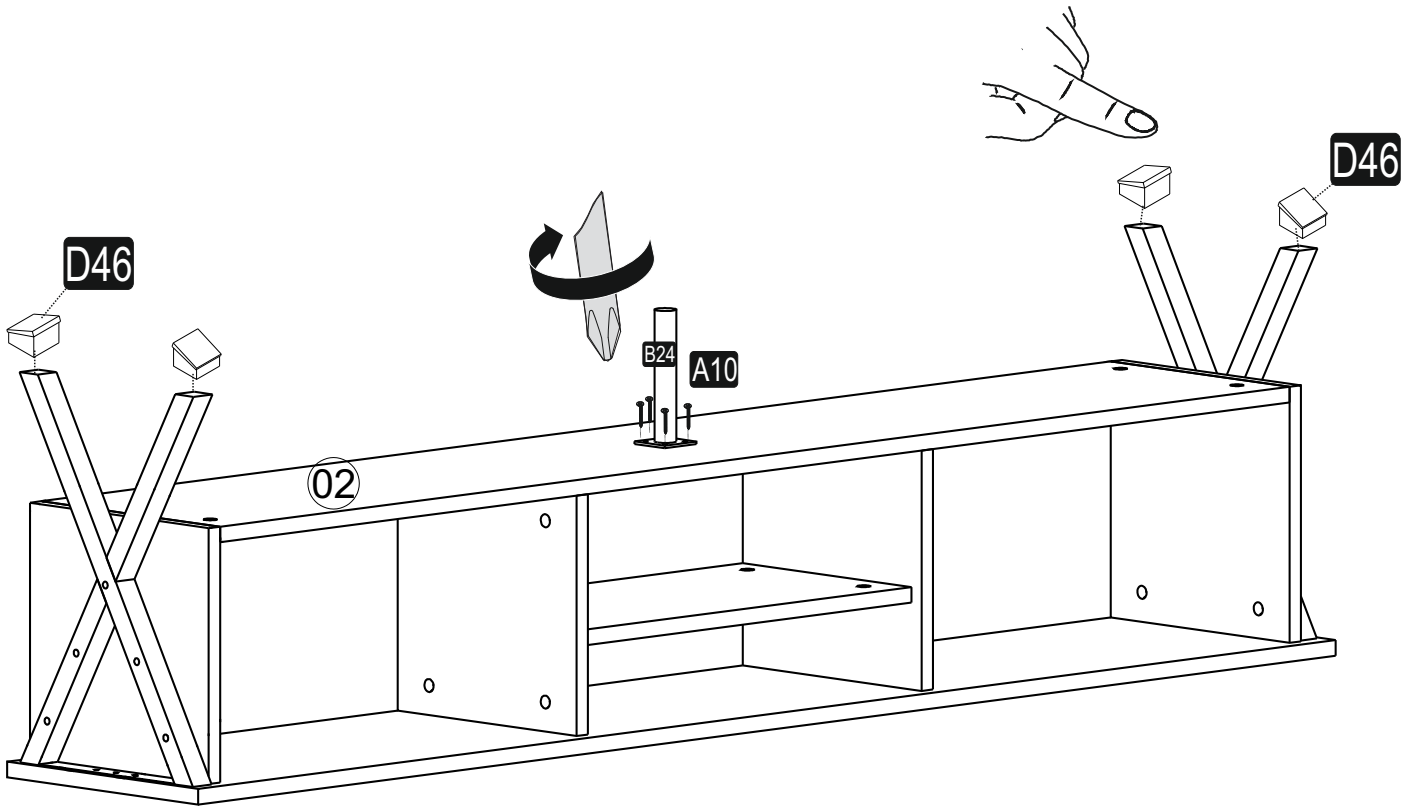
4



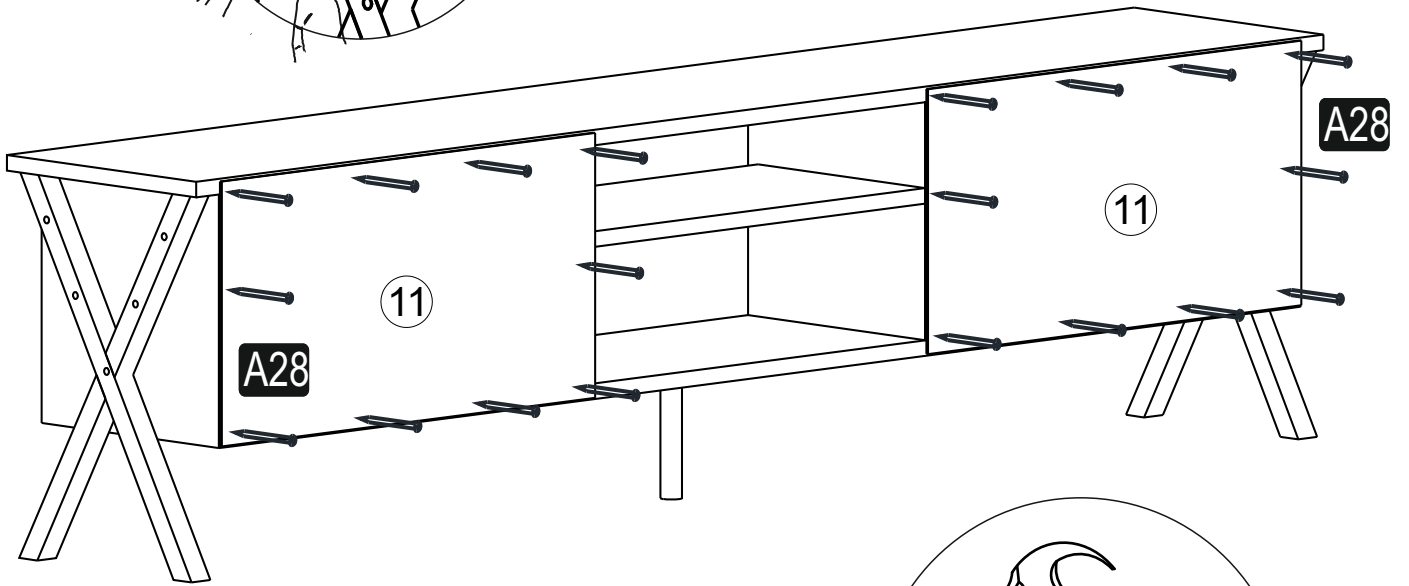
5



6

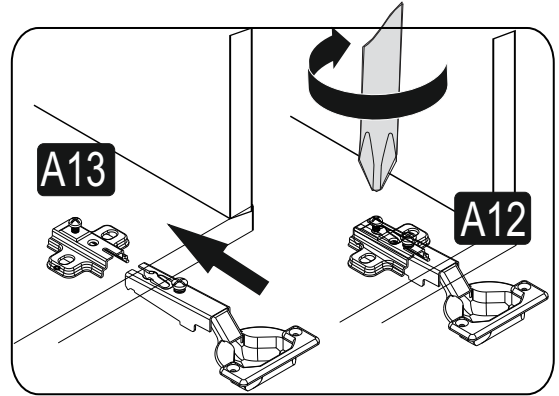
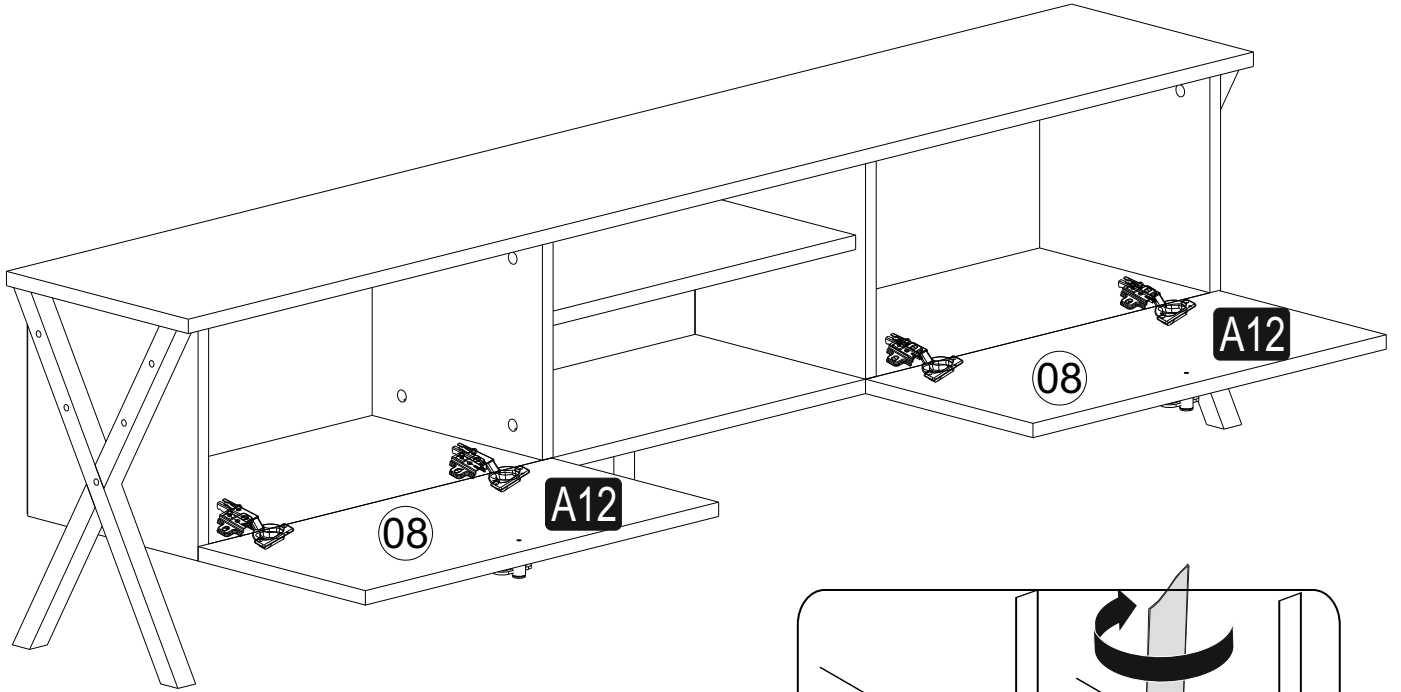


7

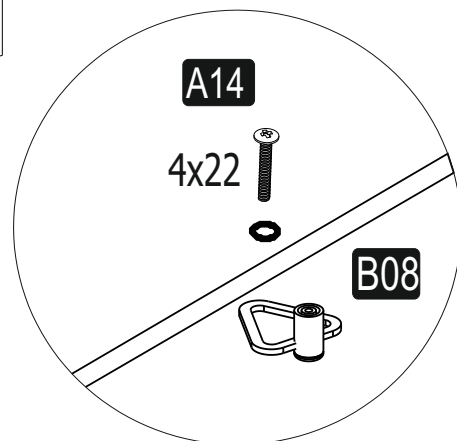
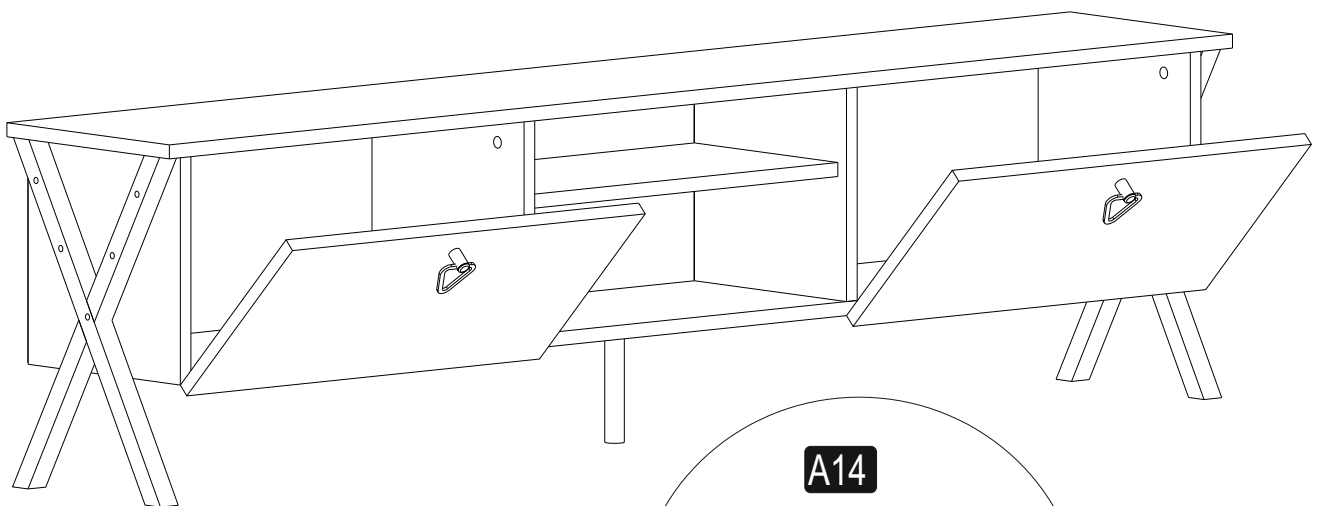




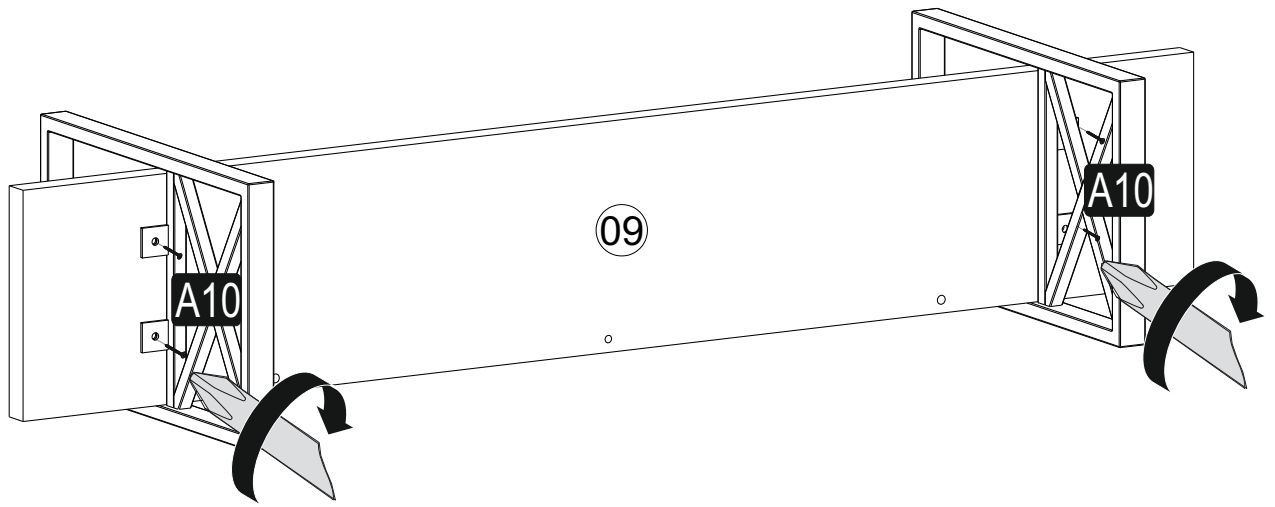
8



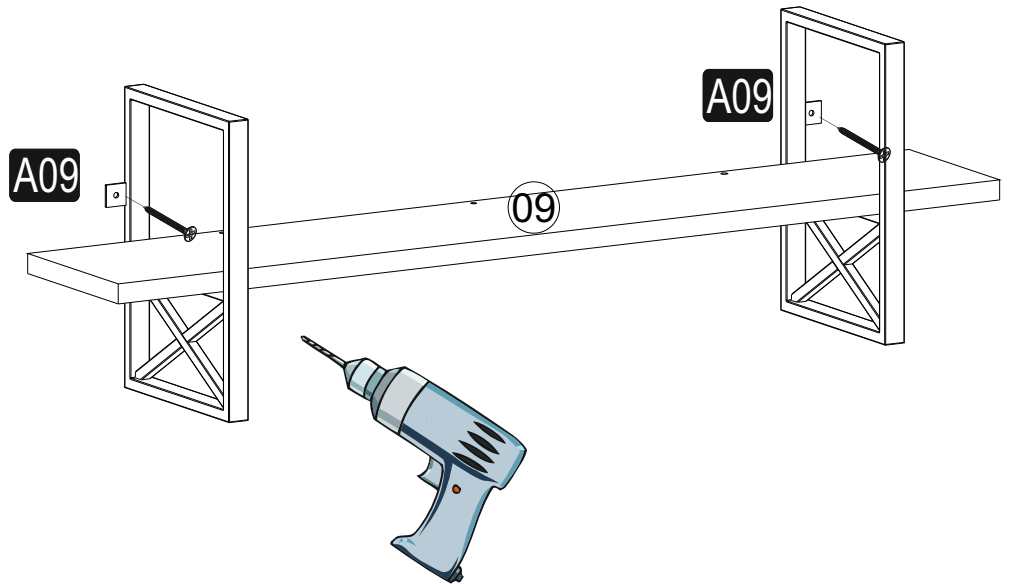
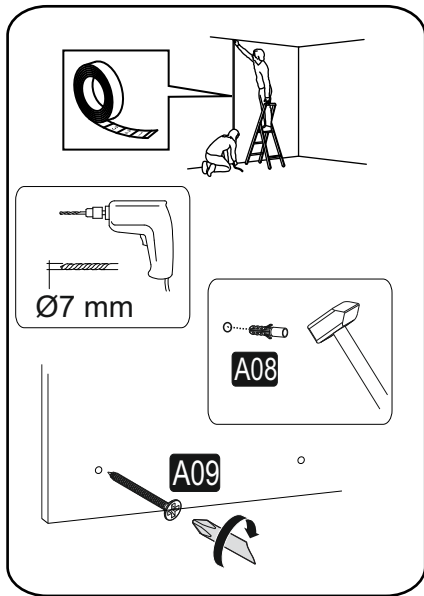
9



# 10



# 11



# 12

