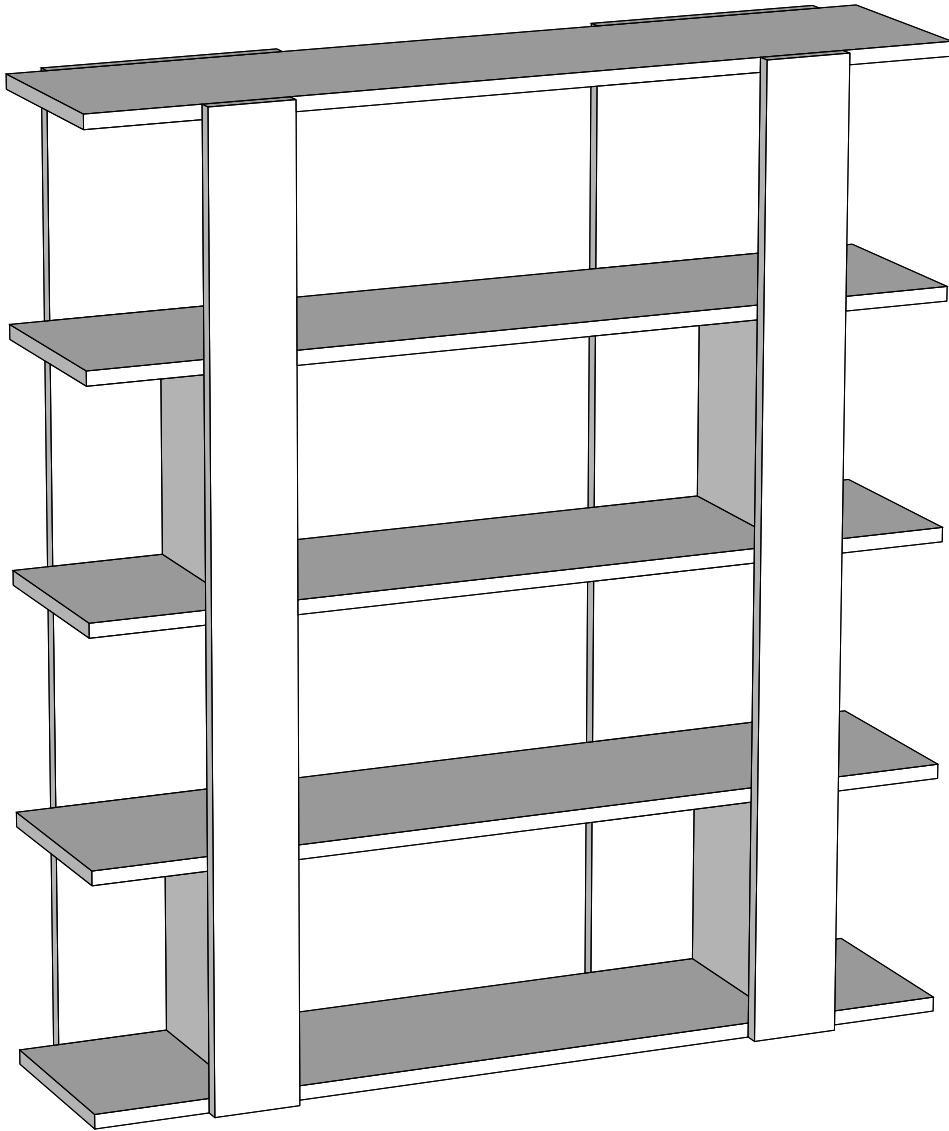
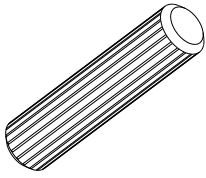


SIERRA

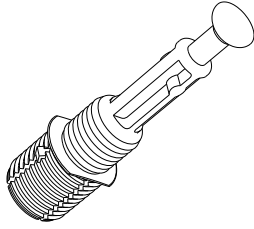
141772



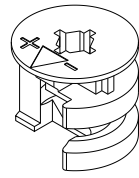
A04



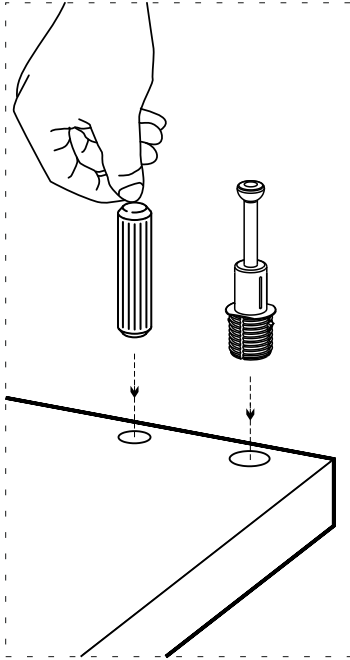
A23



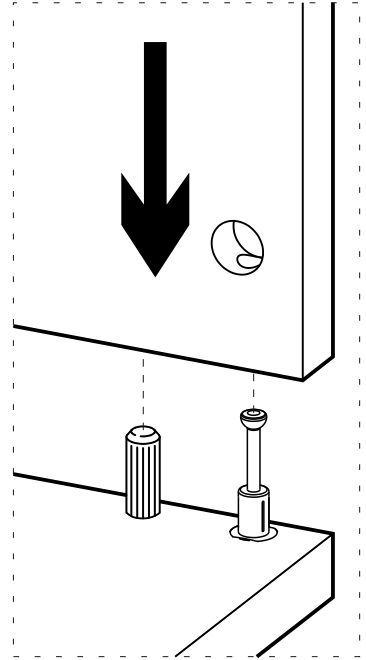
A22



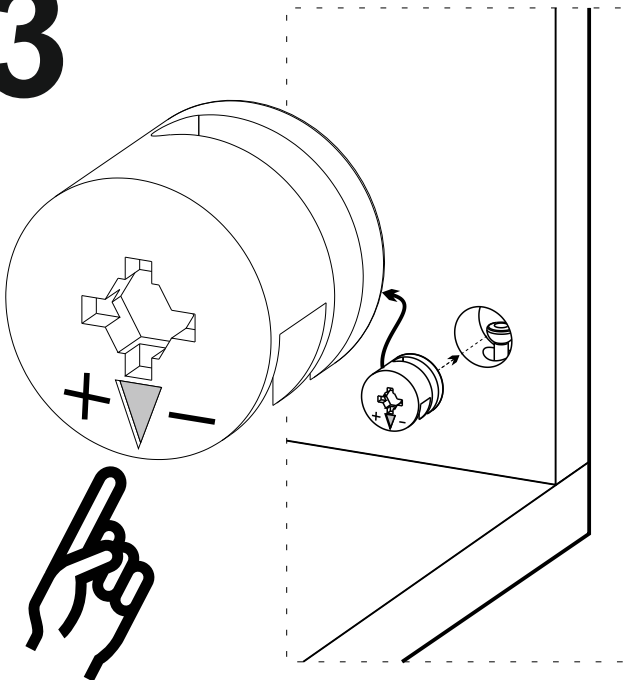
1



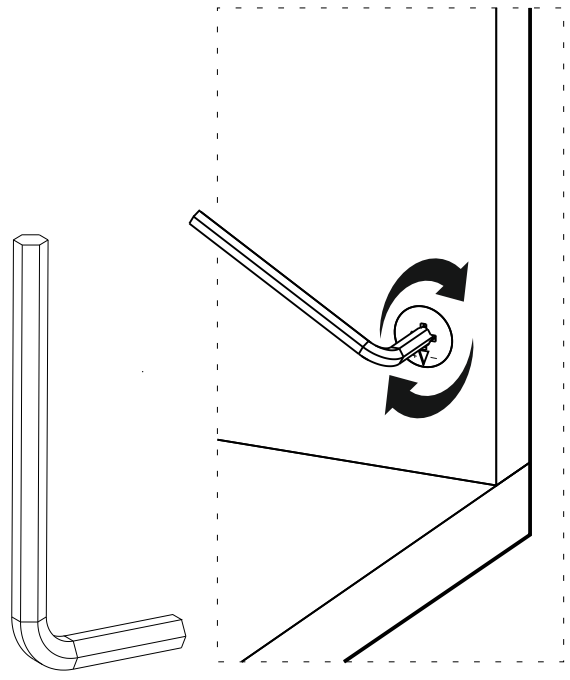
2



3



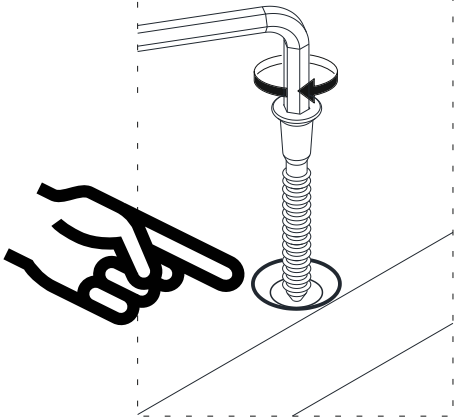
4



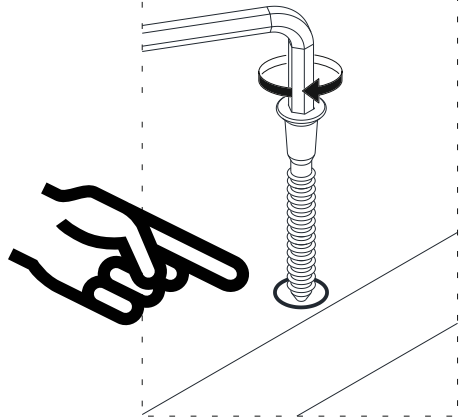
A13



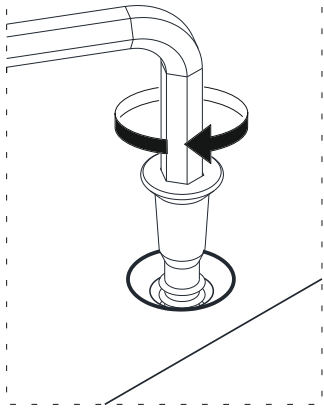
1



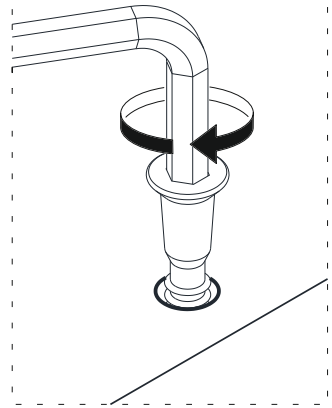
1



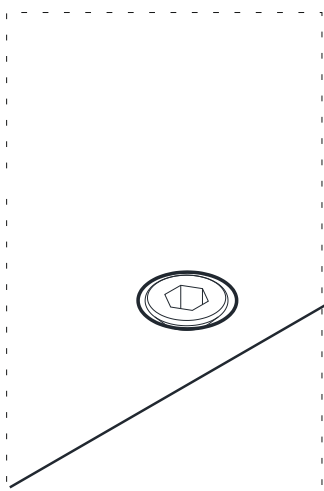
2



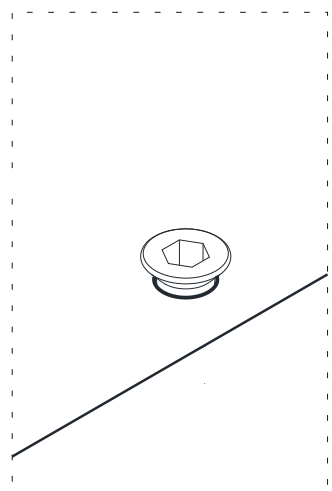
2



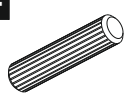

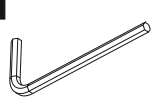
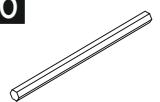
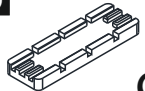
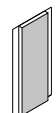



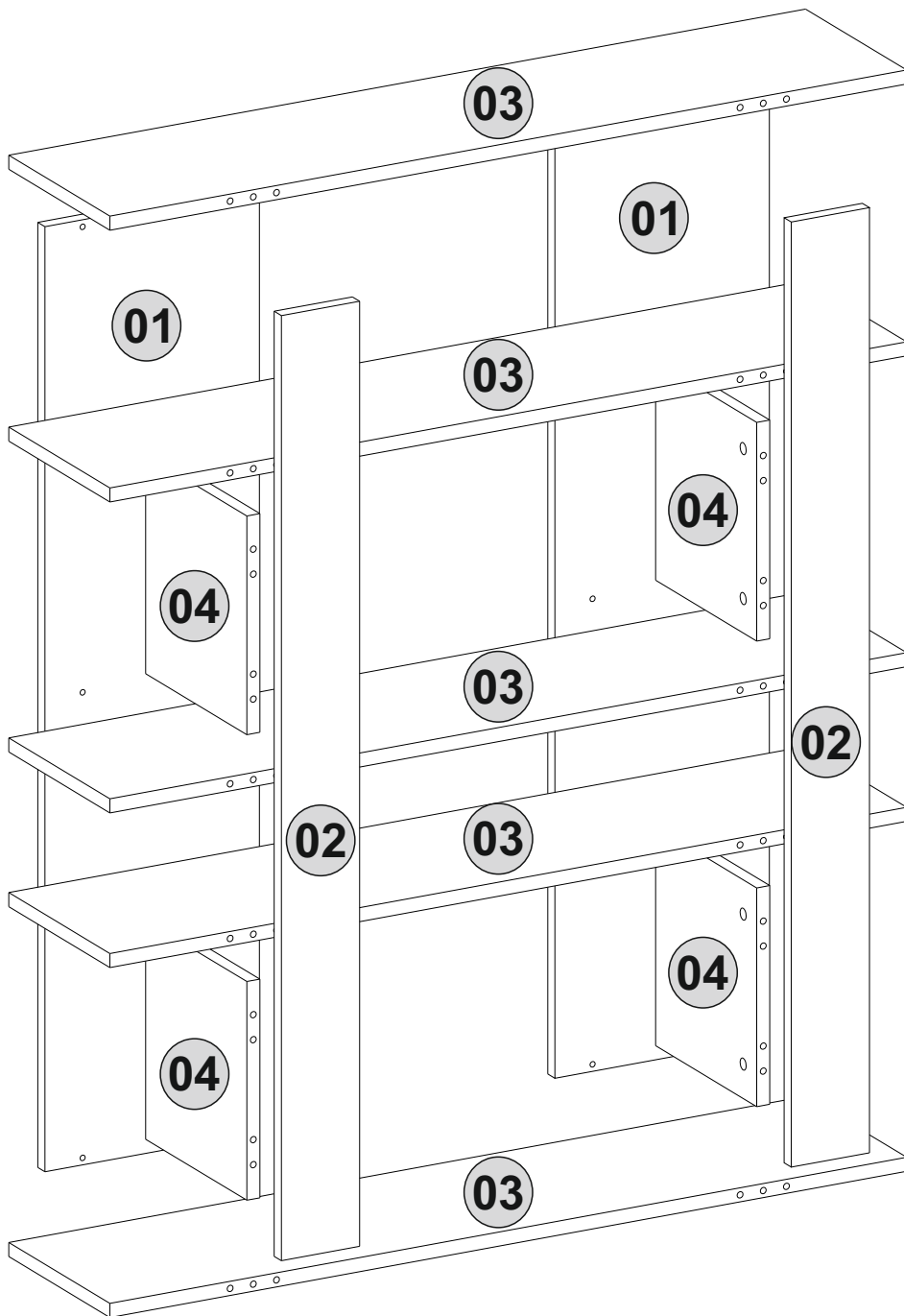
3

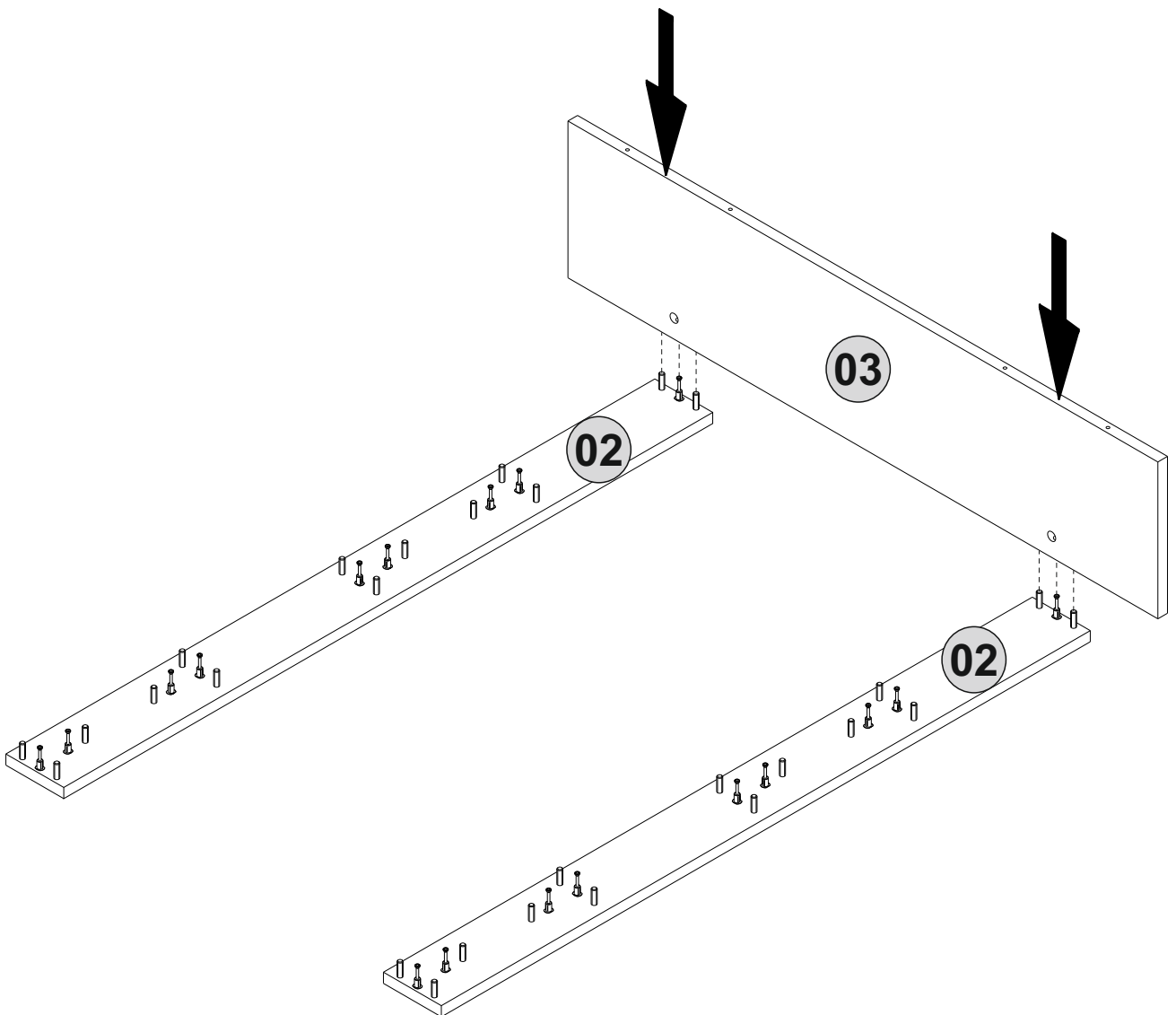
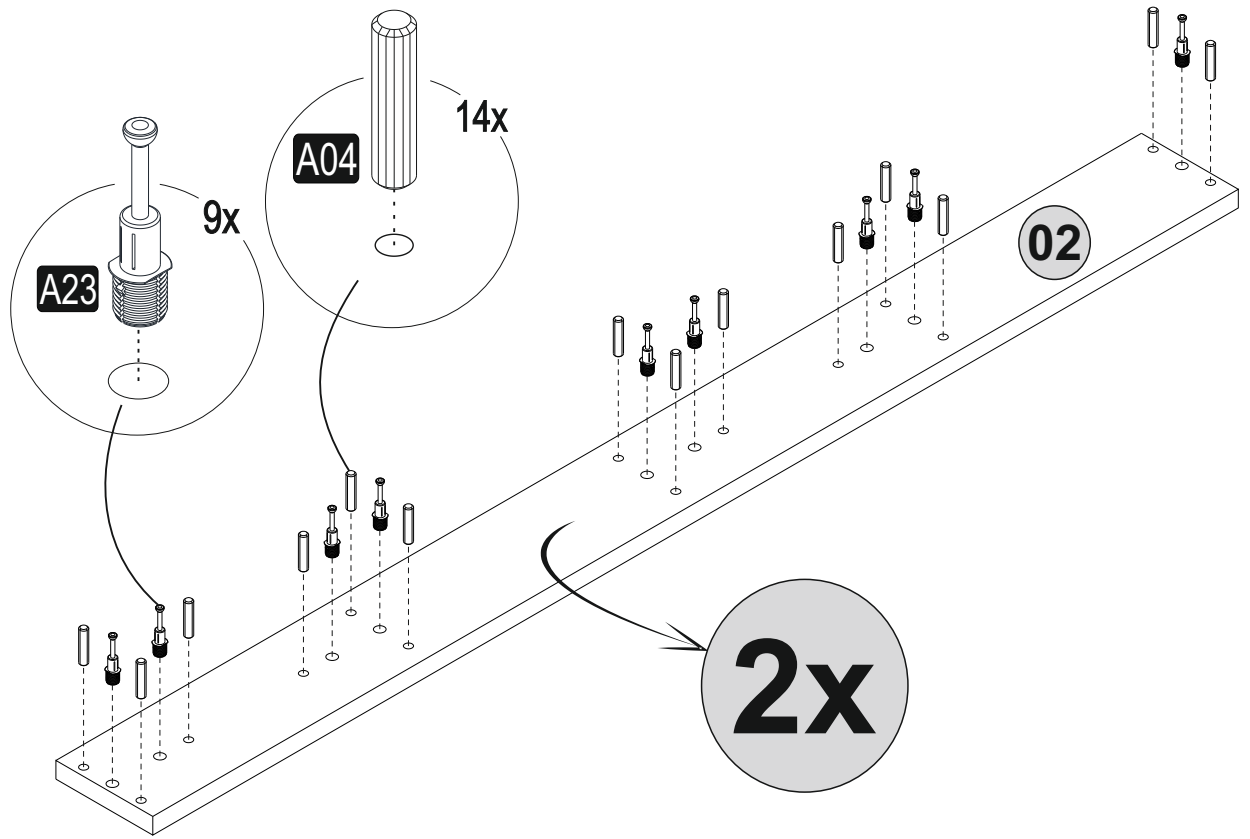


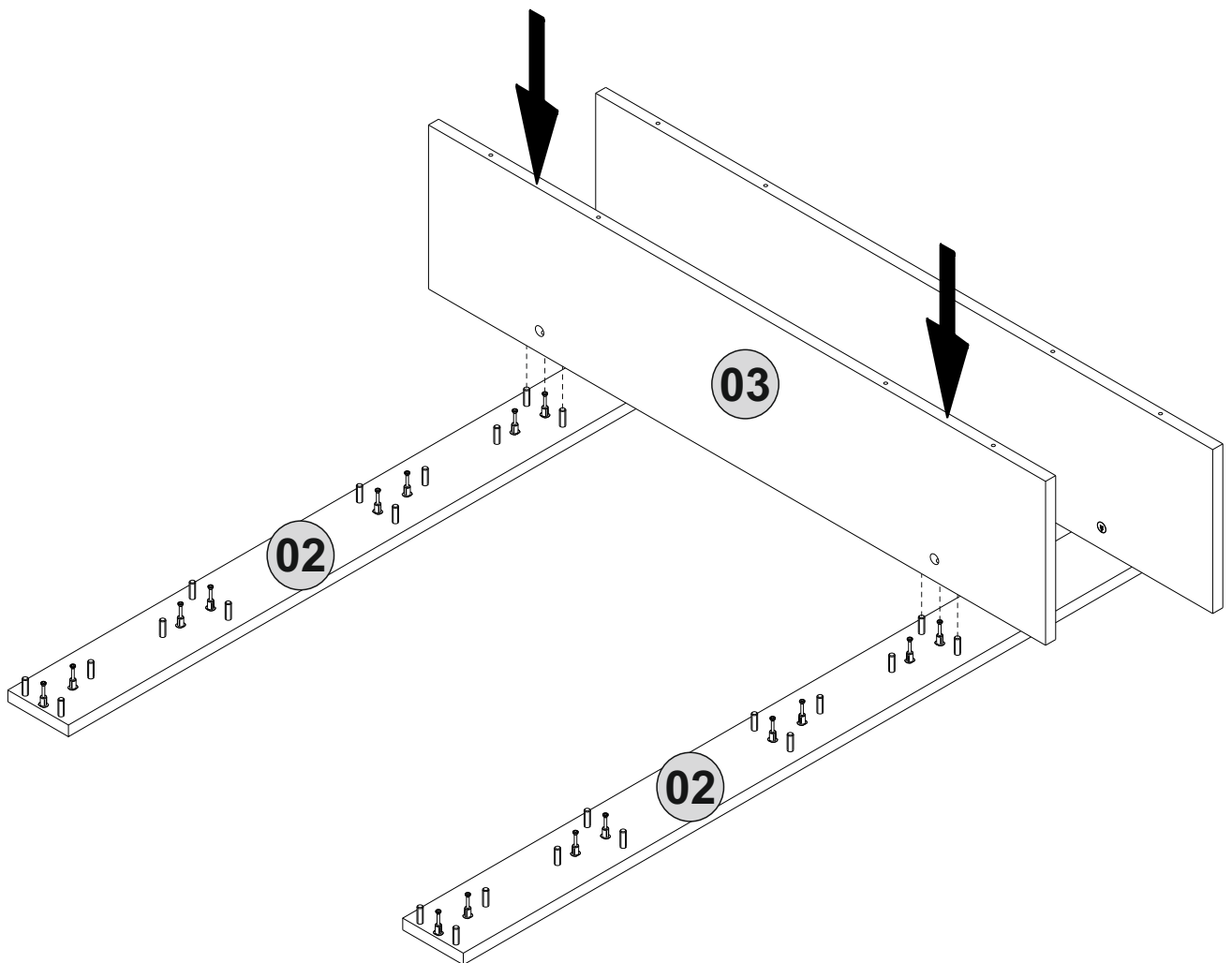
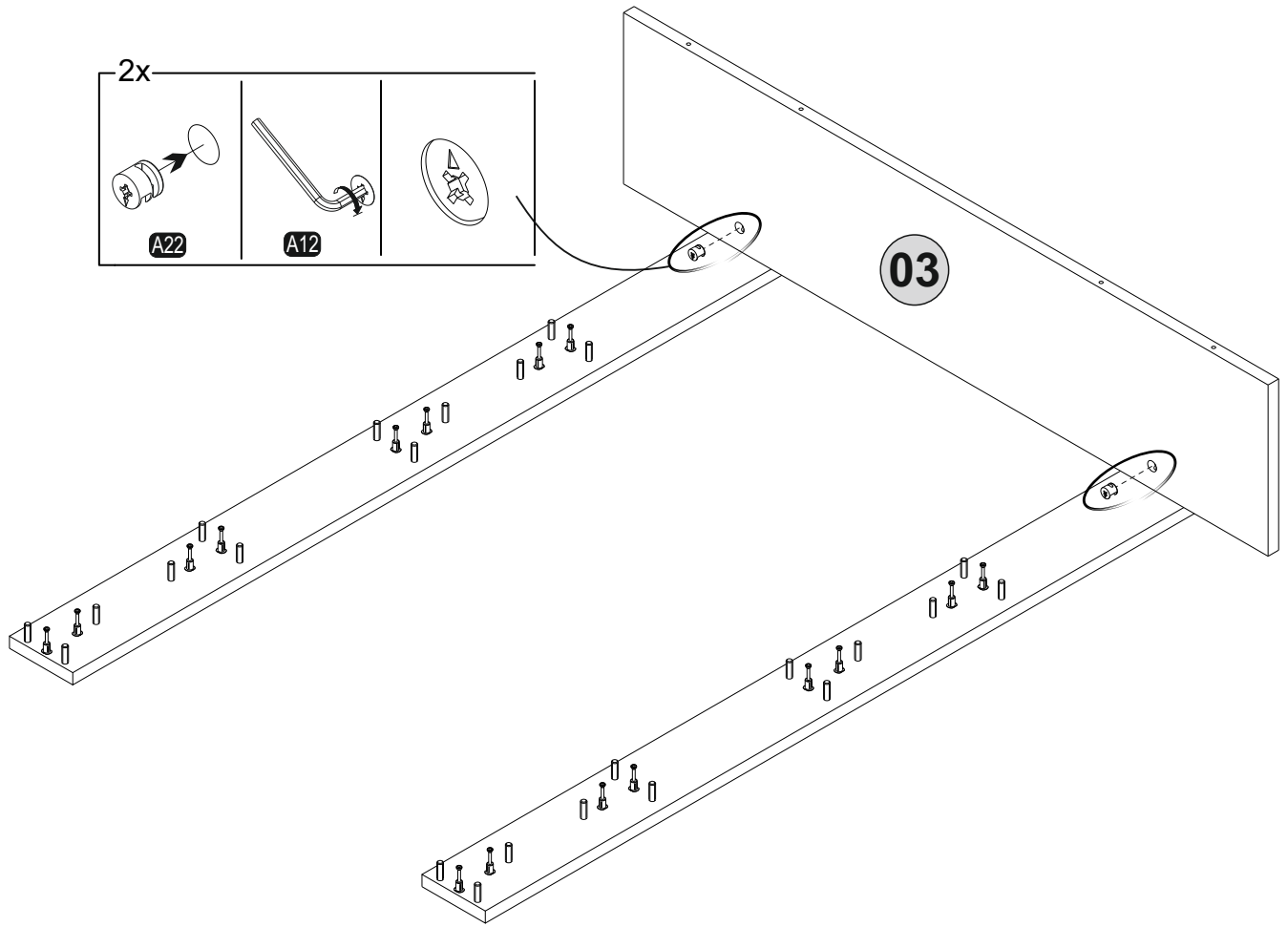
3

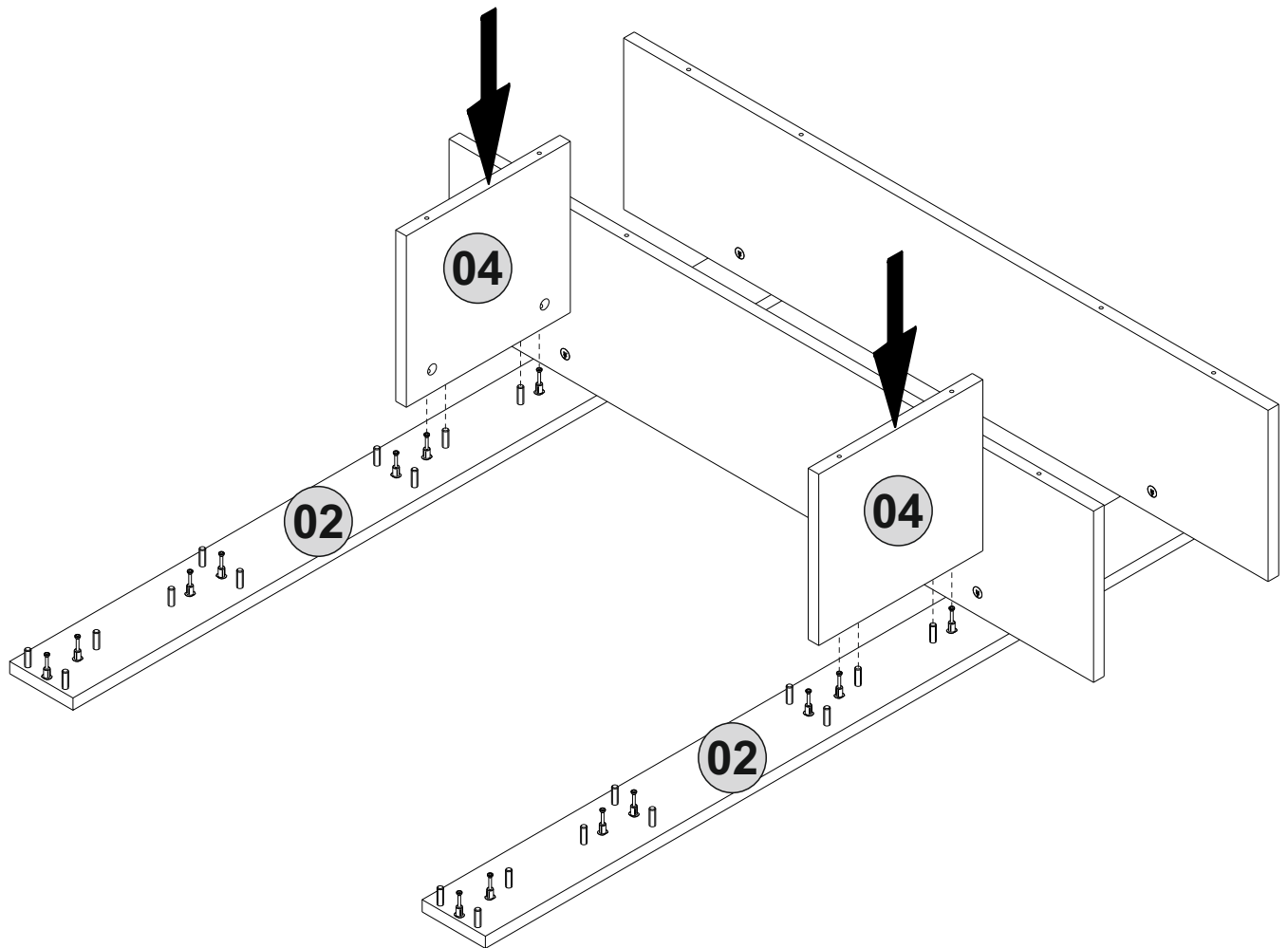
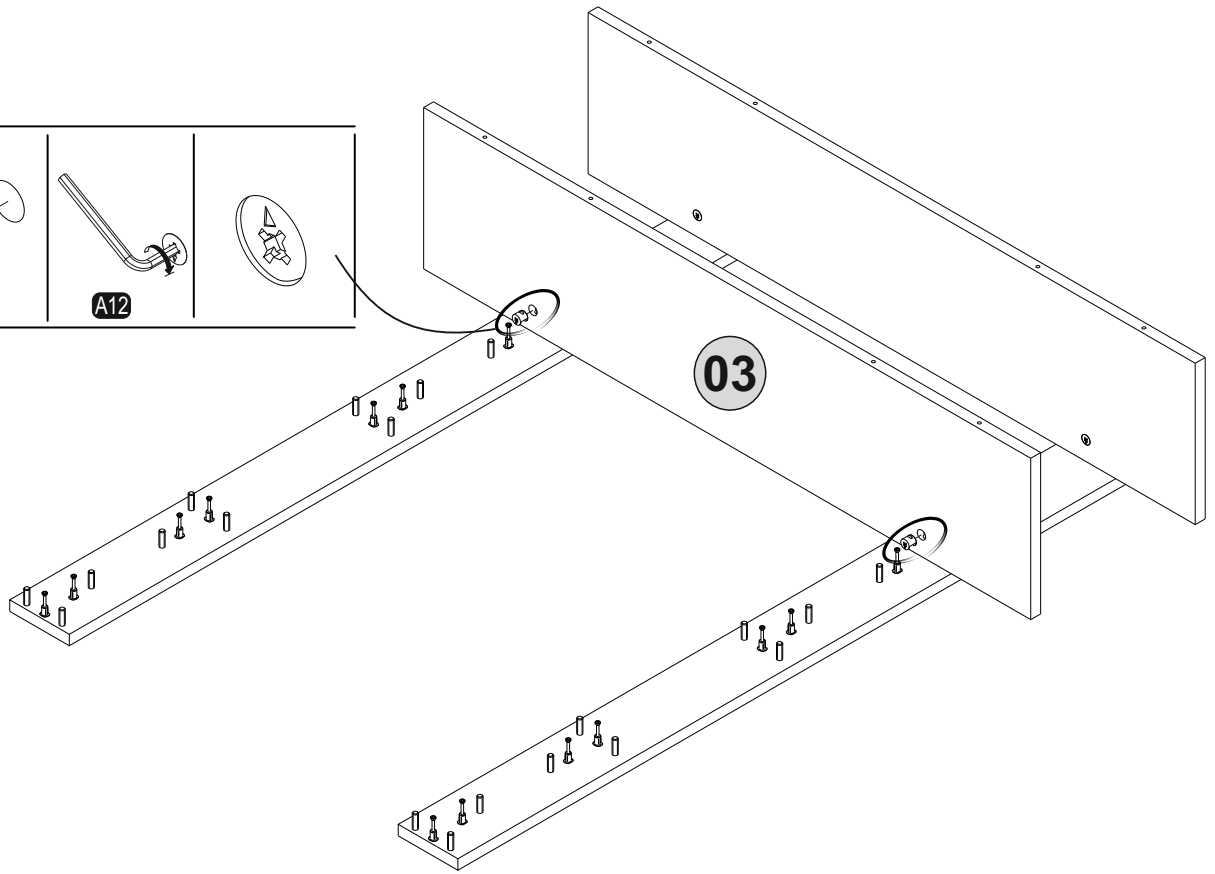
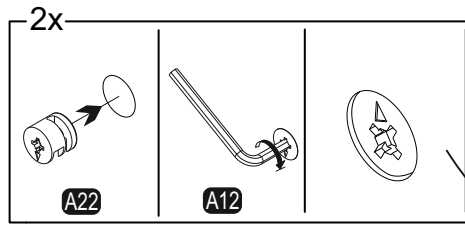


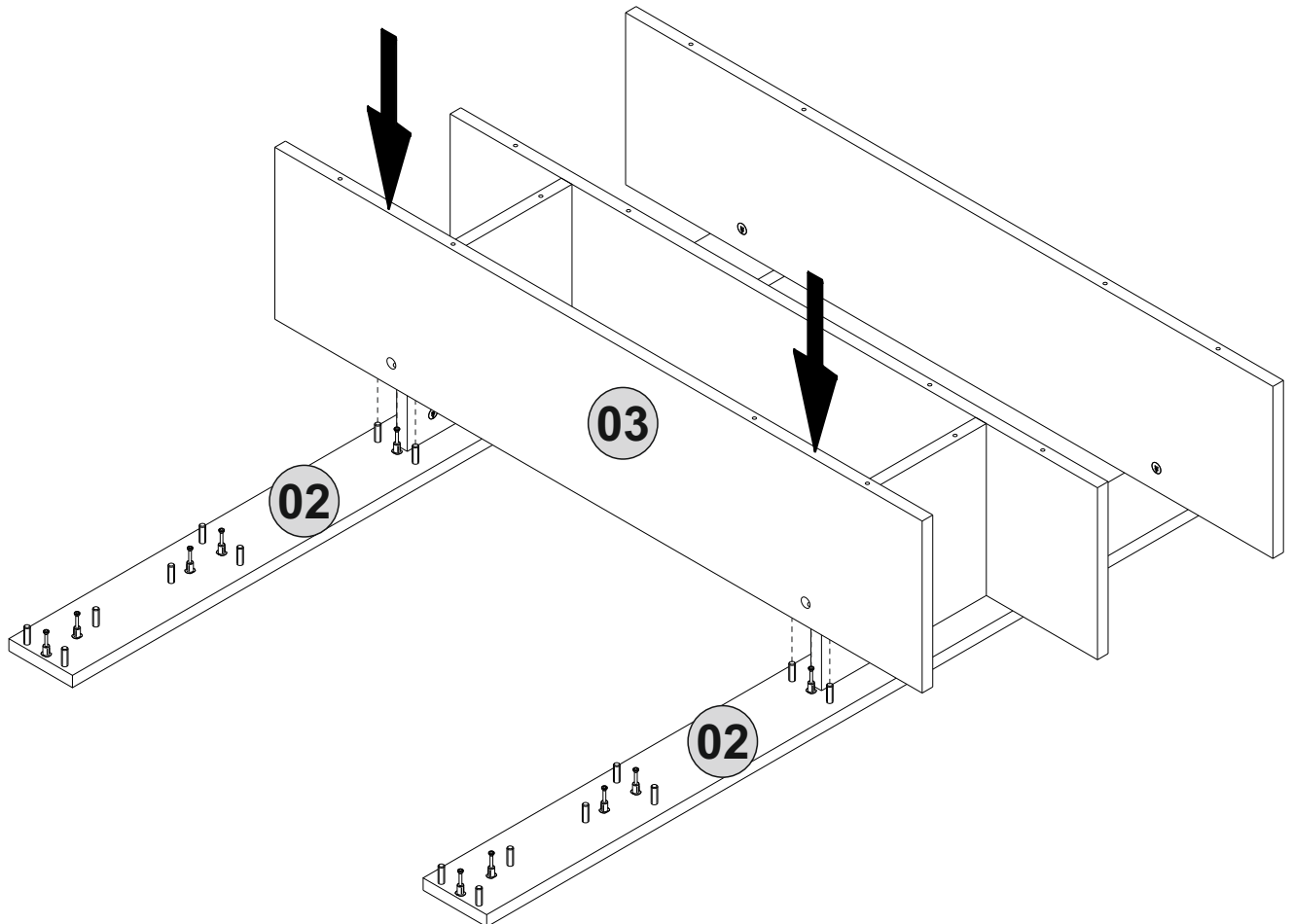
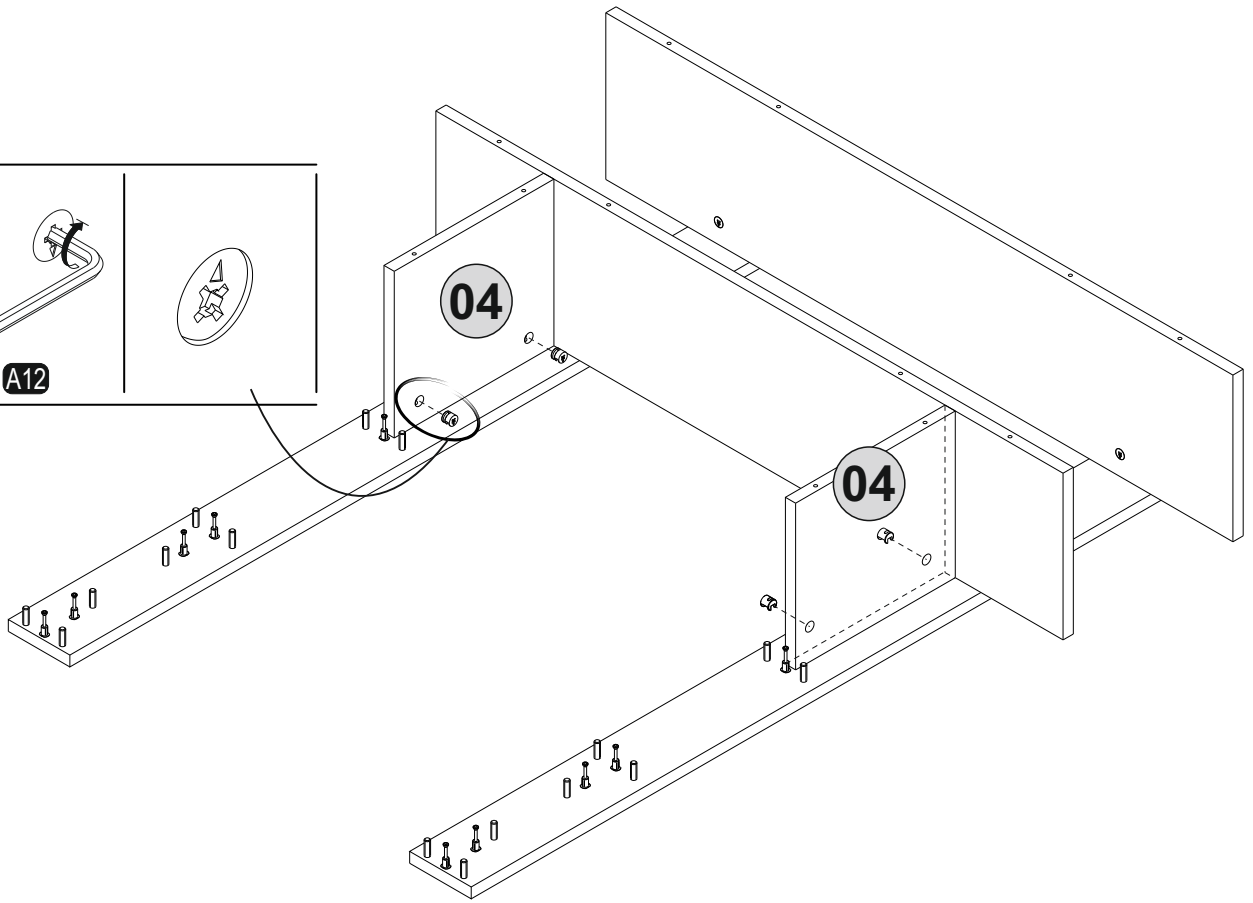
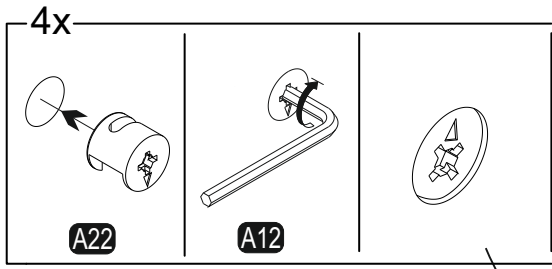
A22  18x	A23  18x	A04  28x	A13  28x	A12  1x
A26  1x	A08  C2-4x	Y03  4x	A06  C1-28x C2-18x	

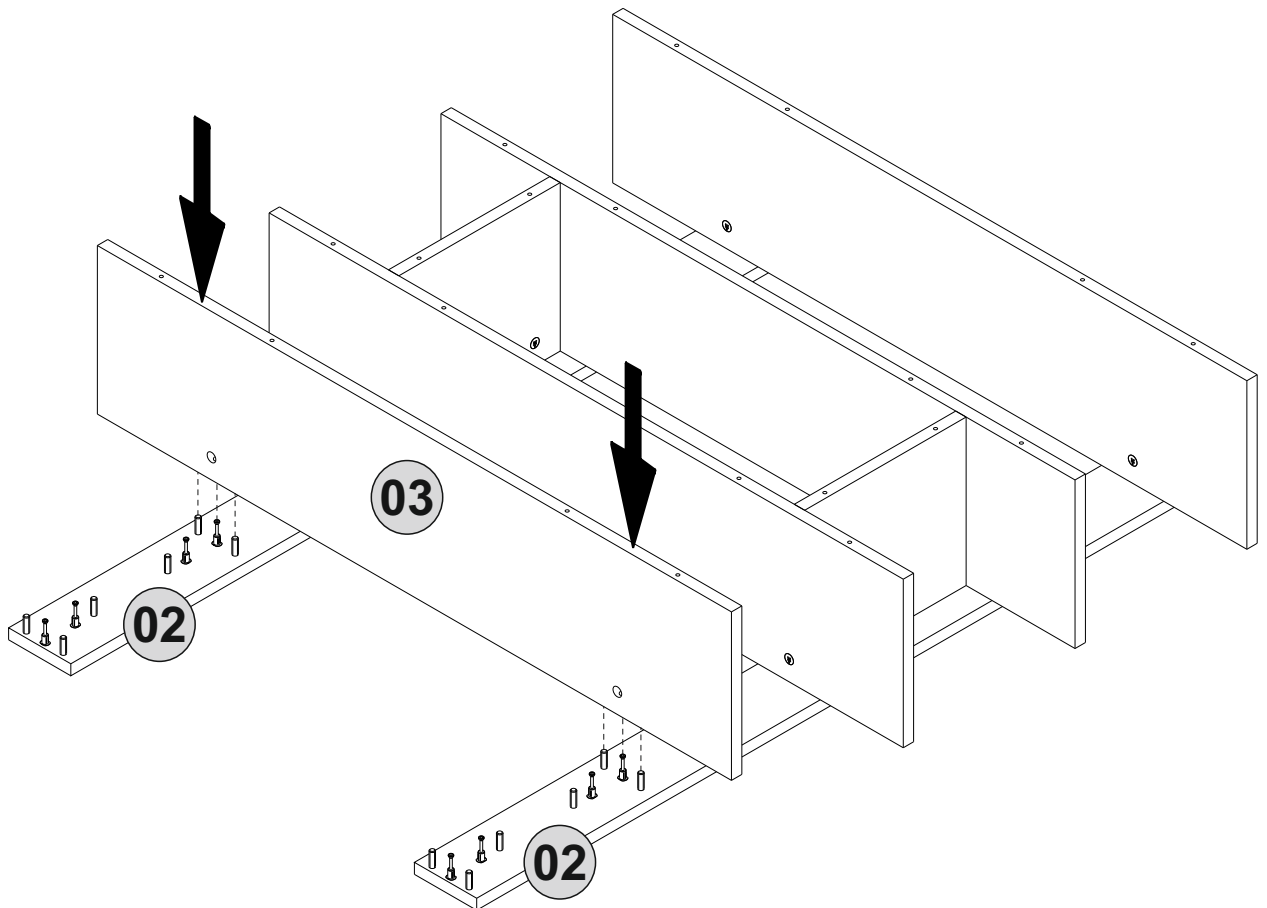
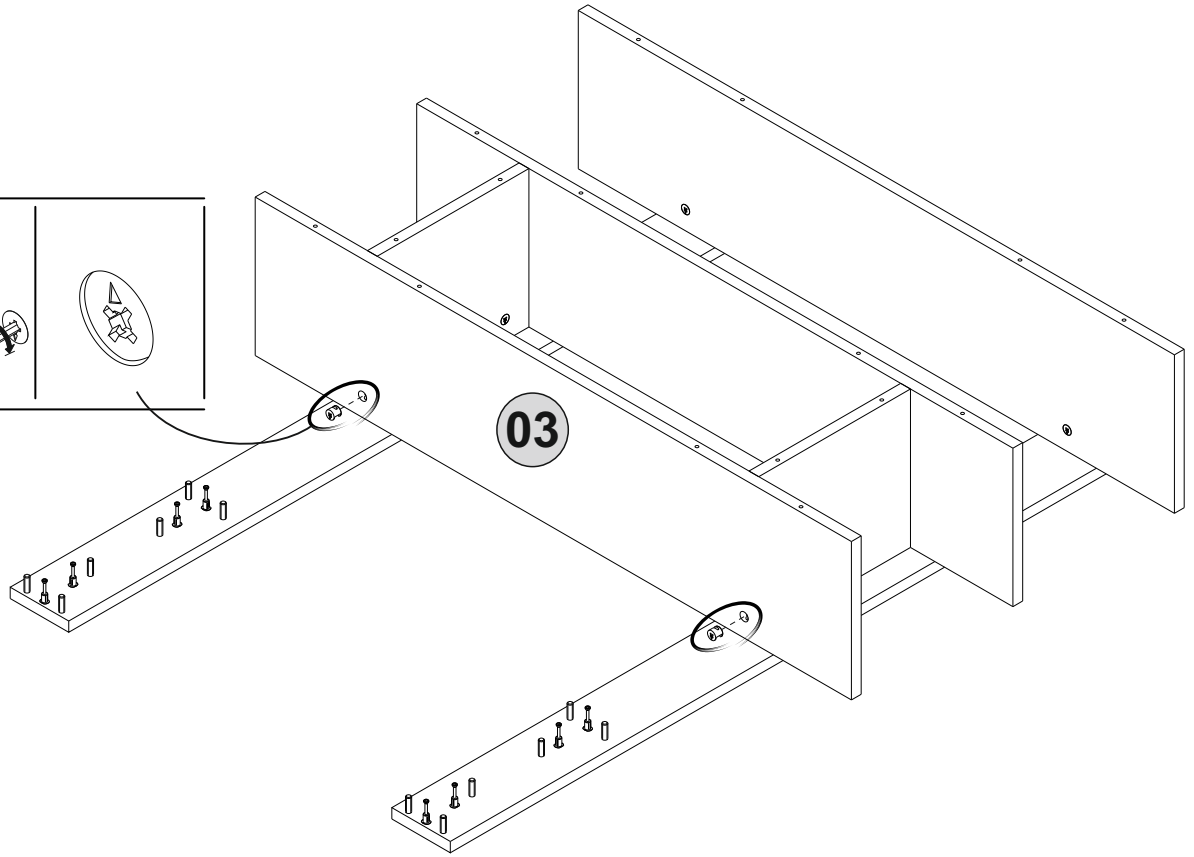
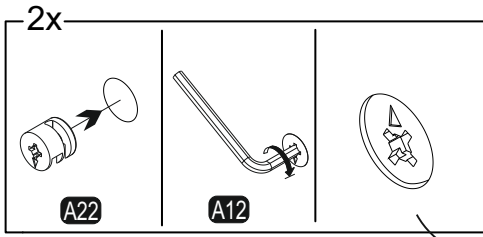


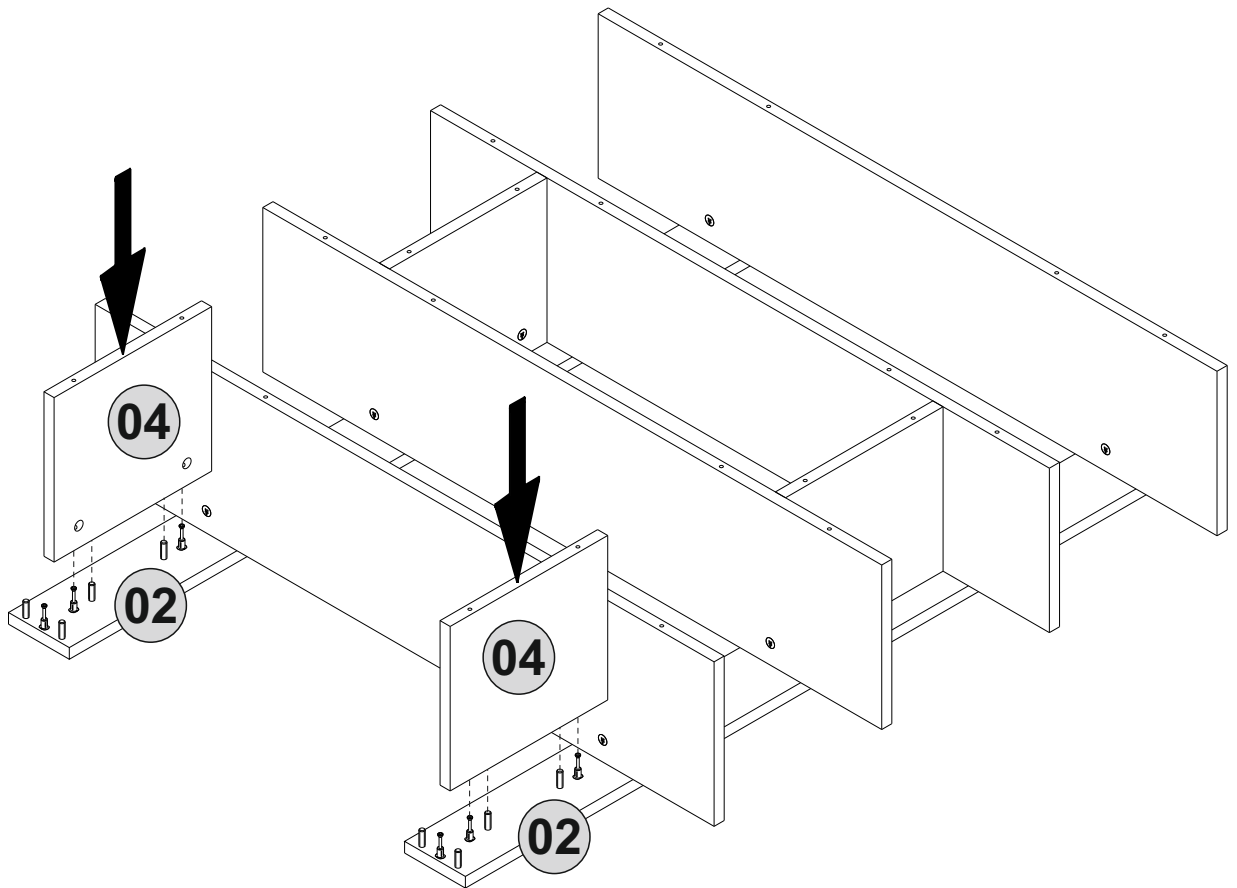
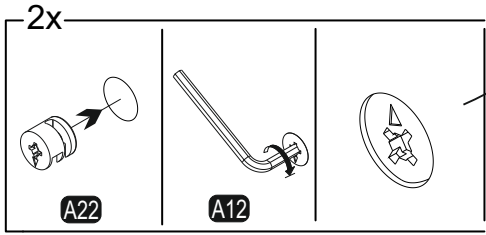
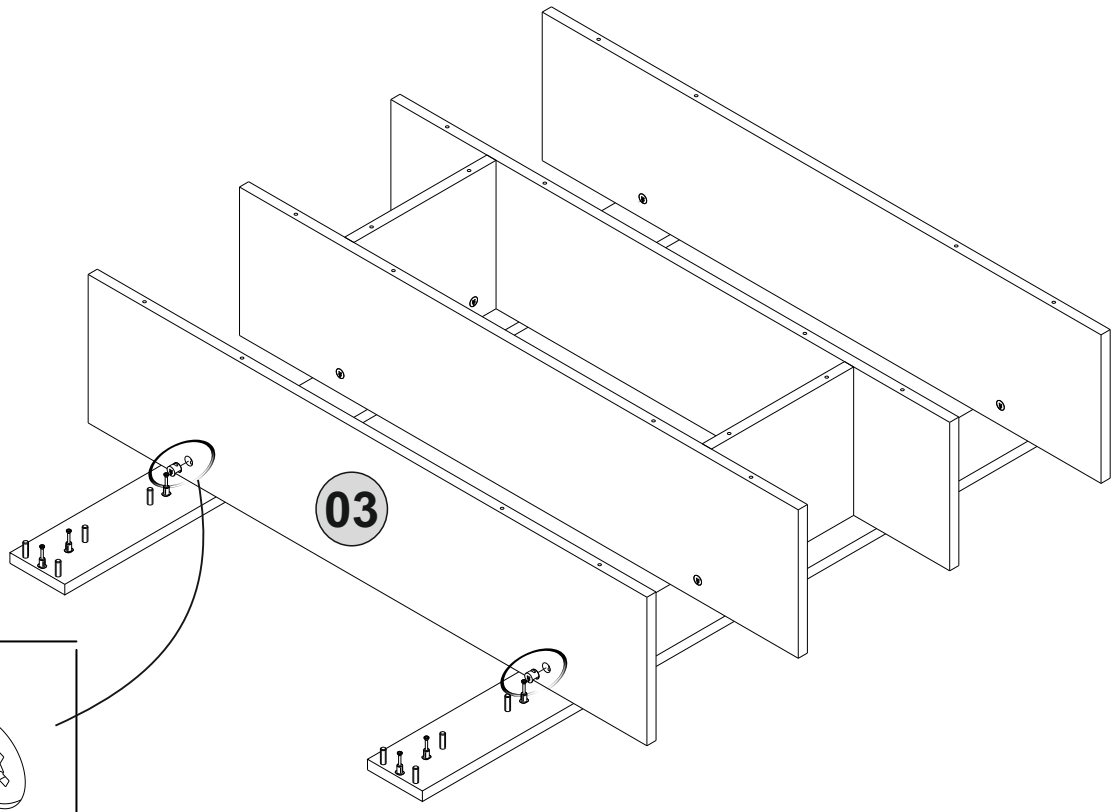


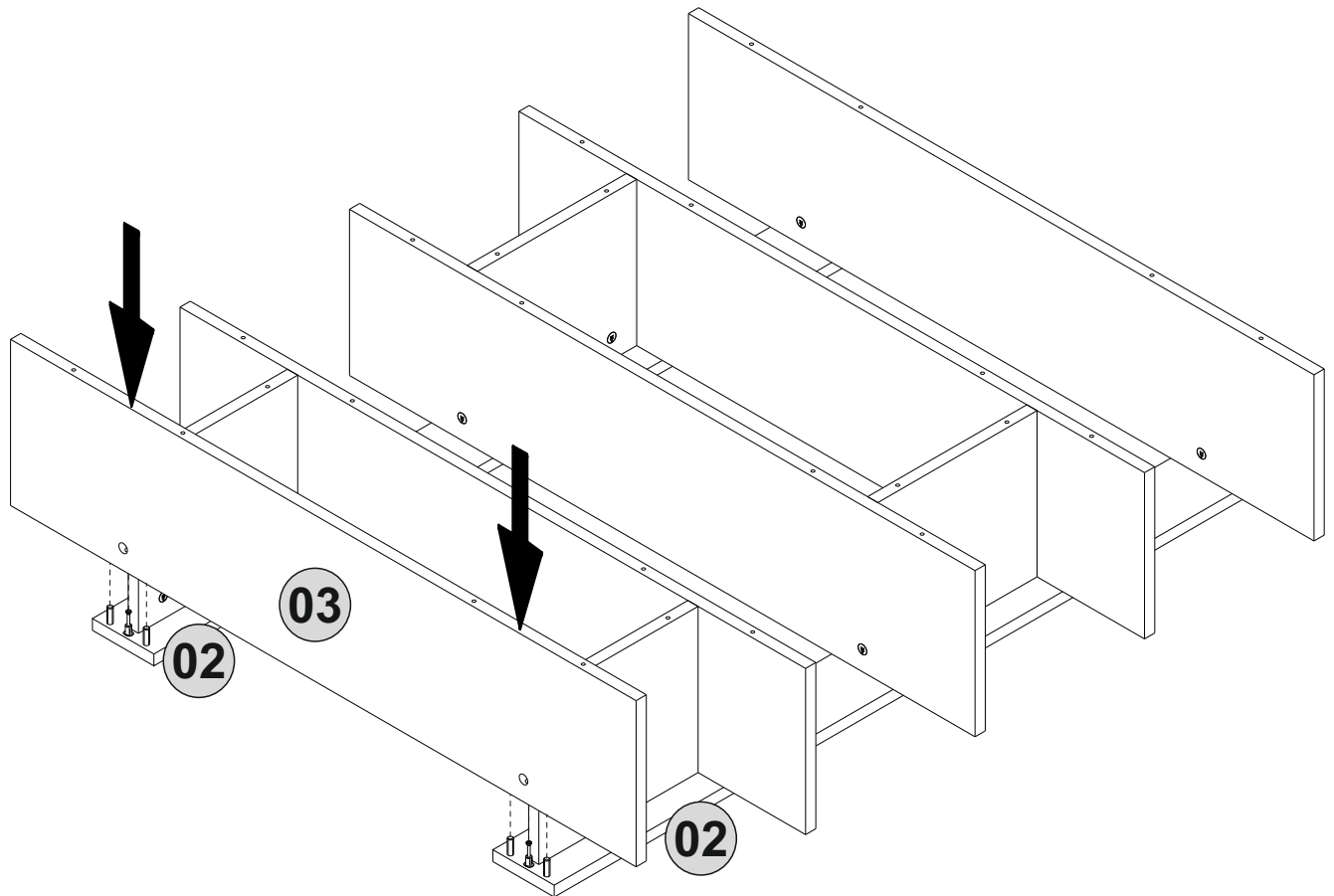
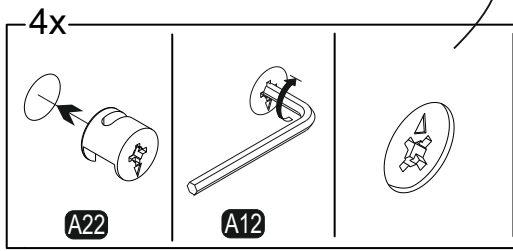
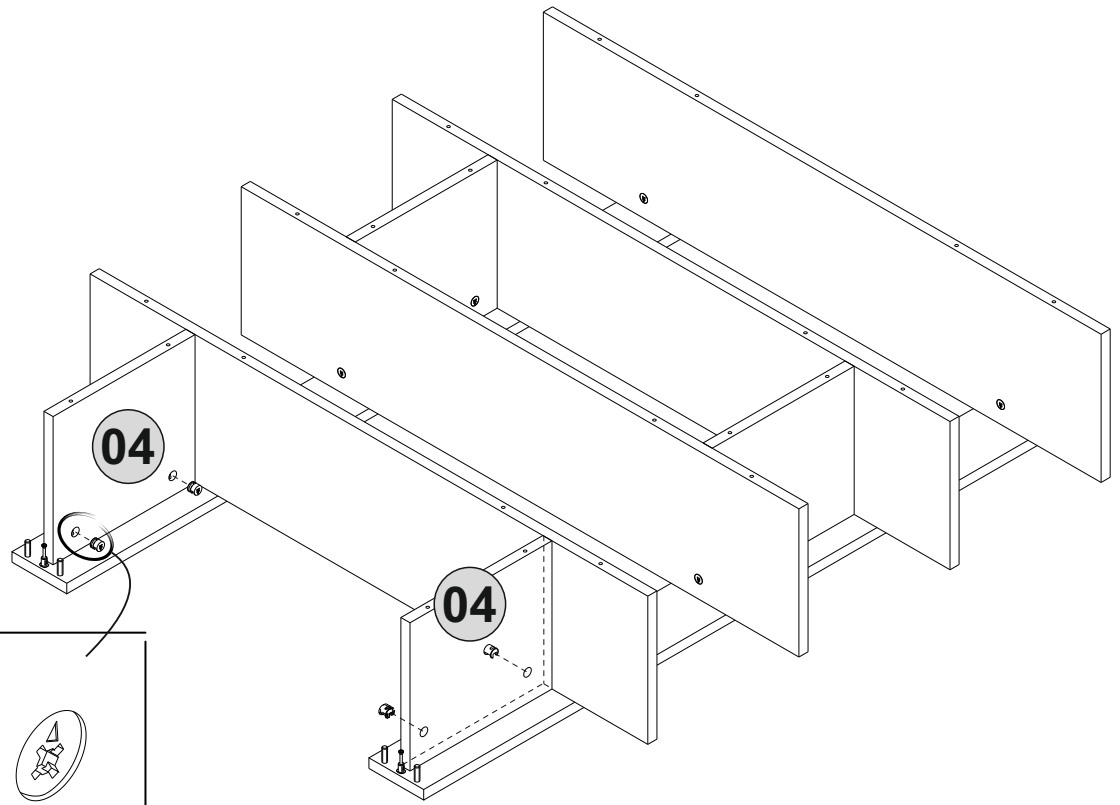


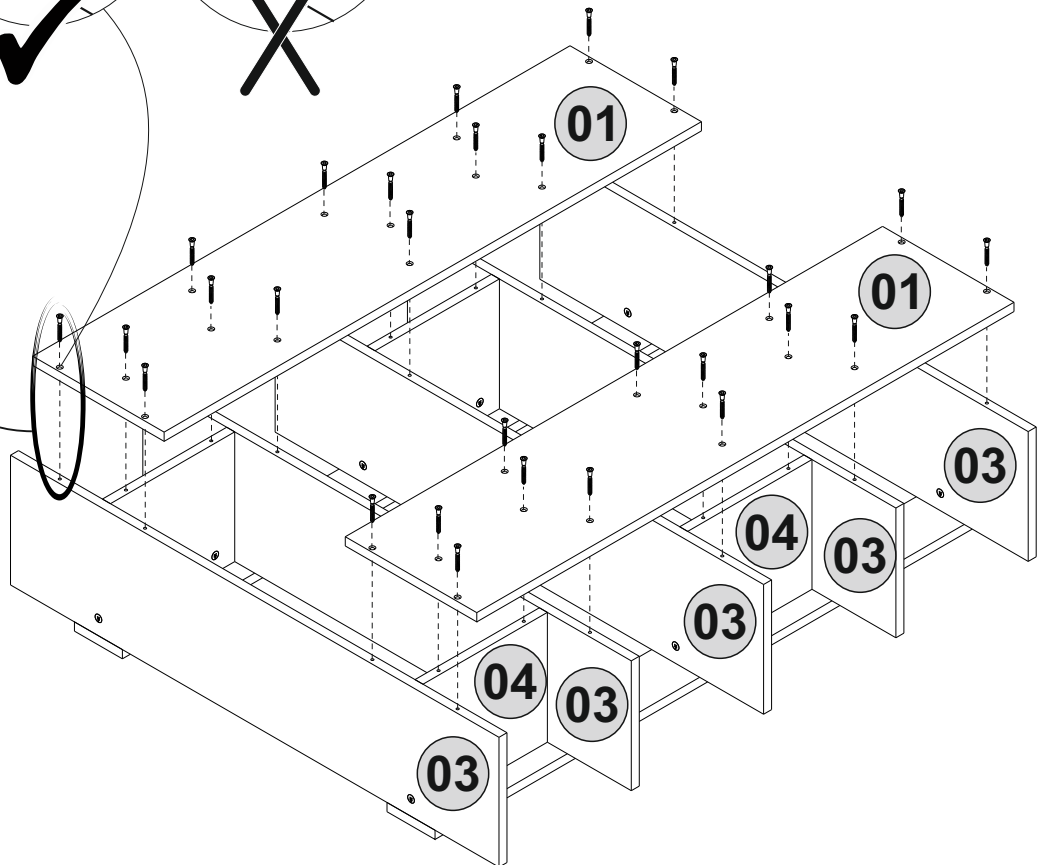
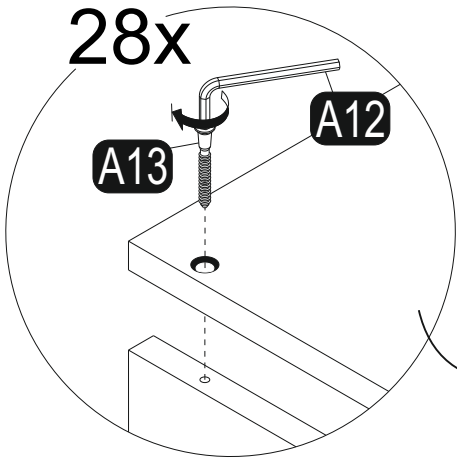
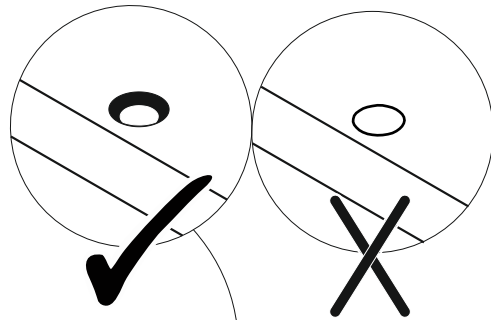
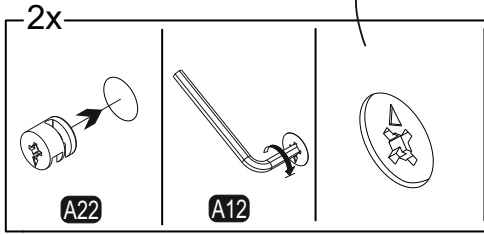
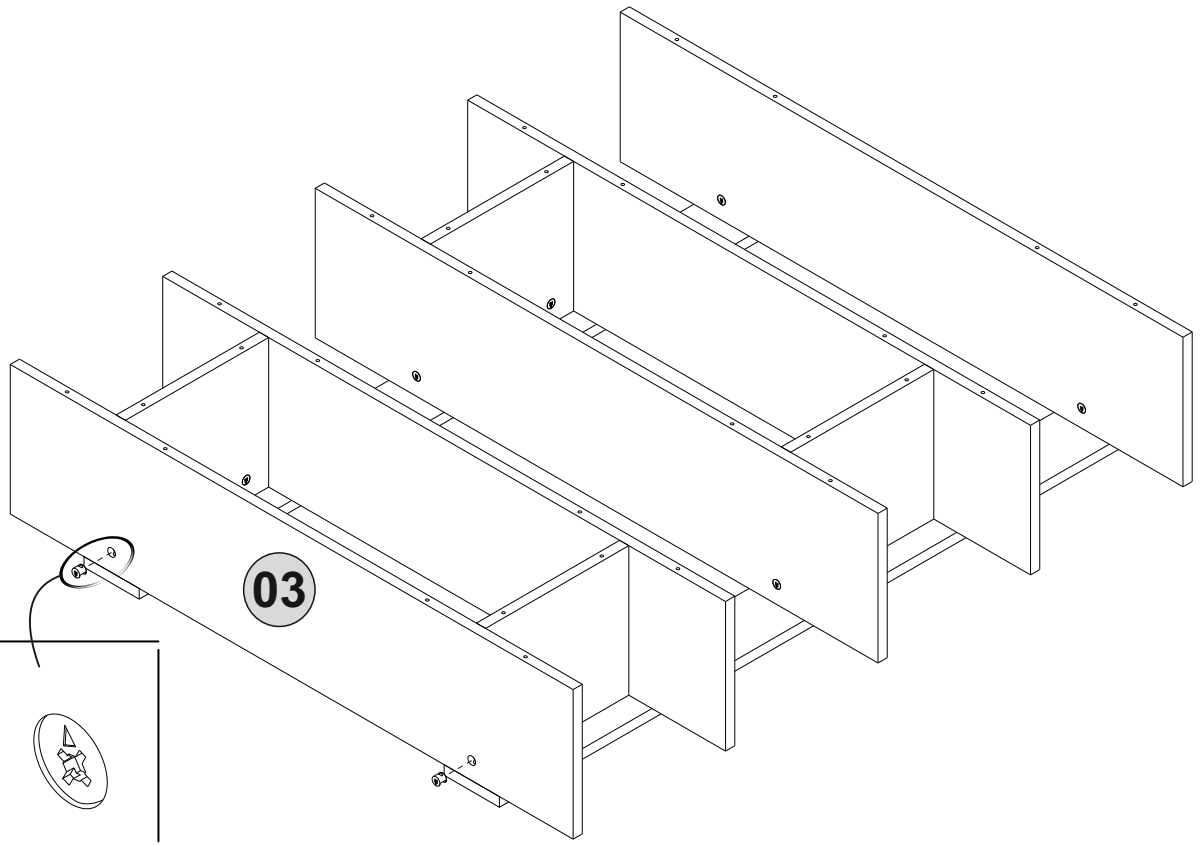


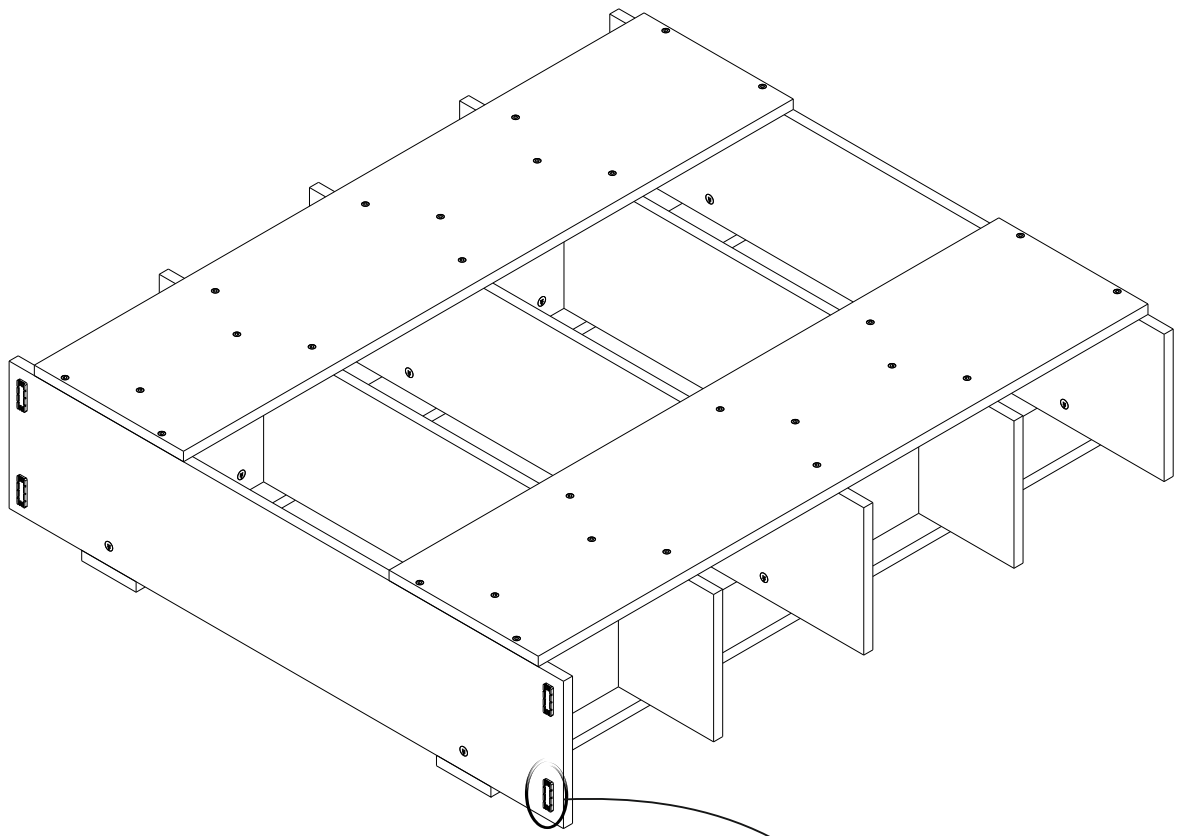




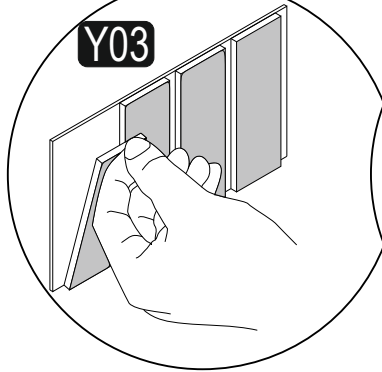




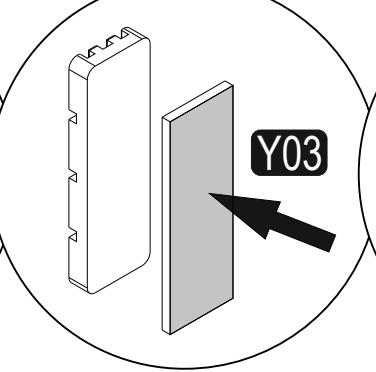




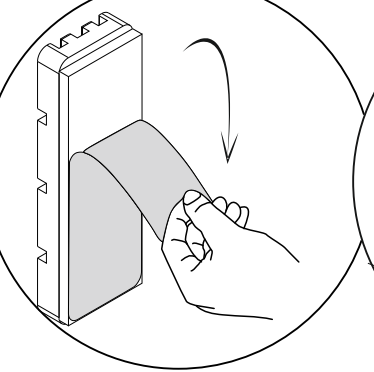
01



02



03



04

