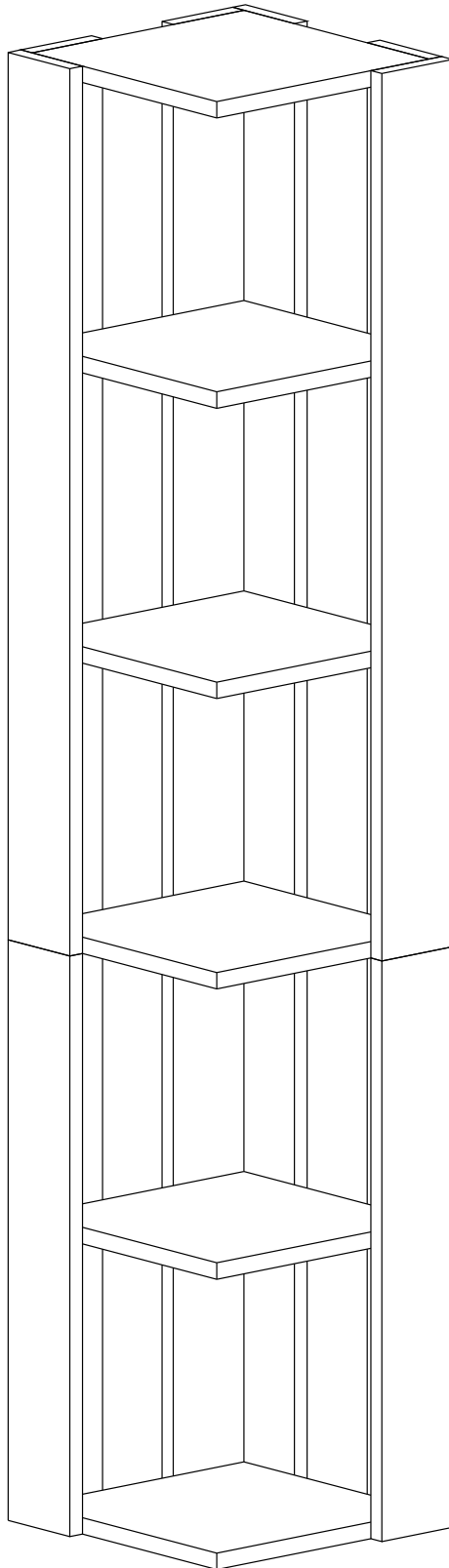
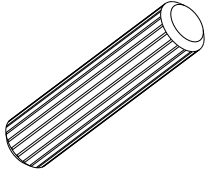


# FELIX

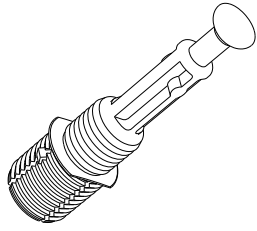
141594



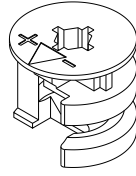
A04



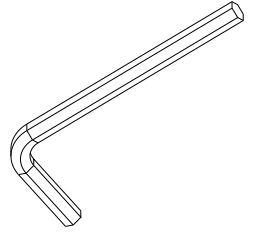
A23



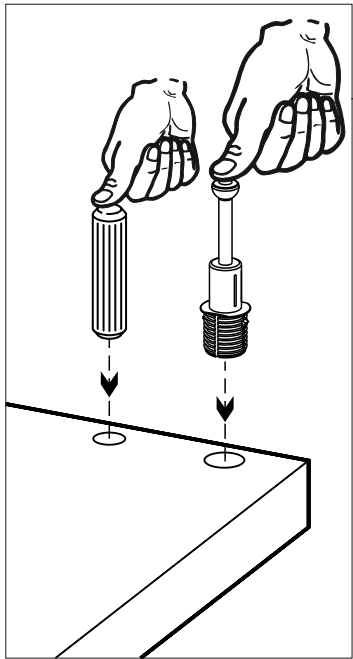
A22



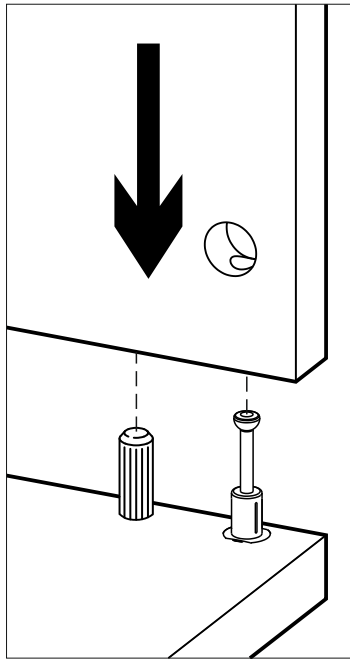
A12



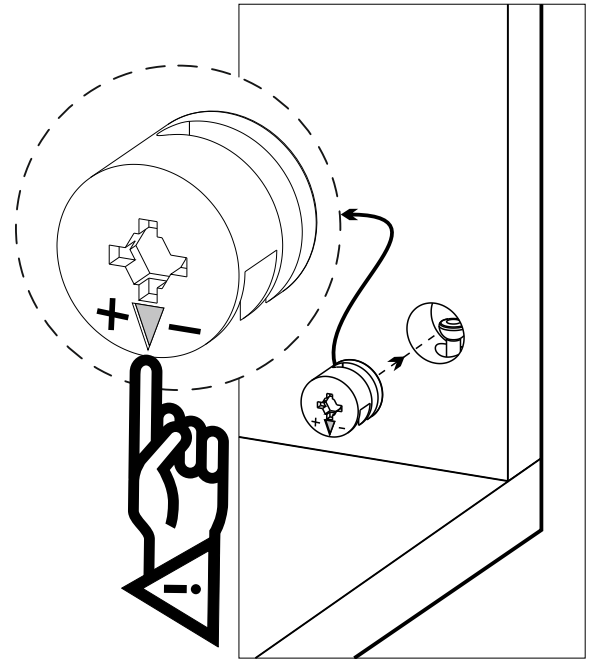
1



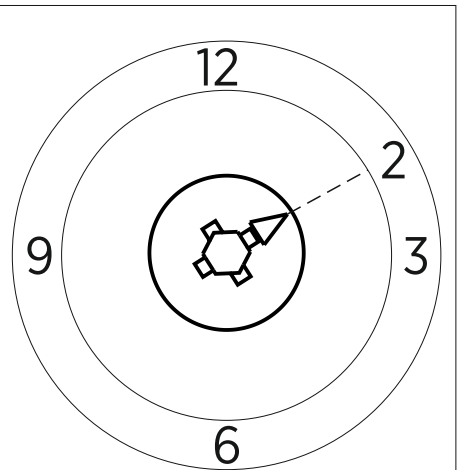
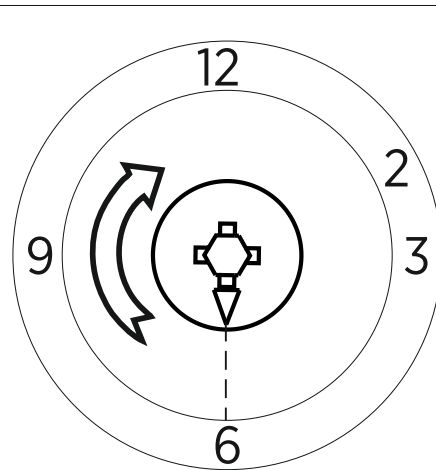
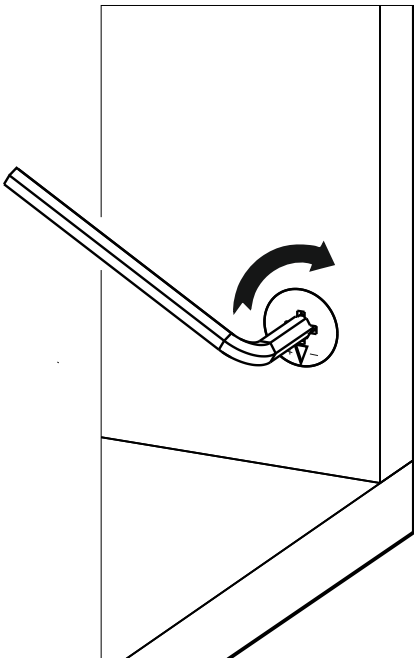
2



3



4

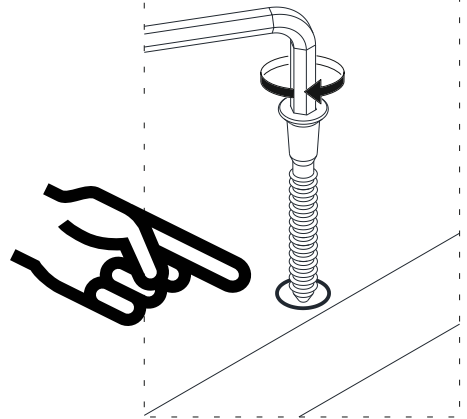
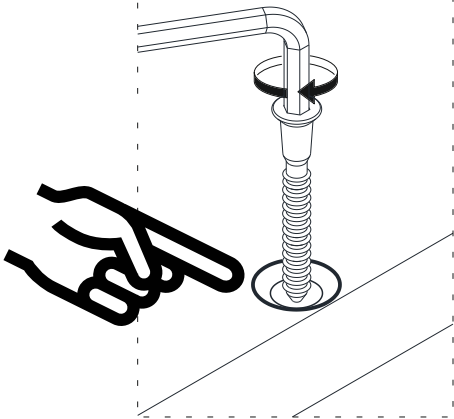


**A13**



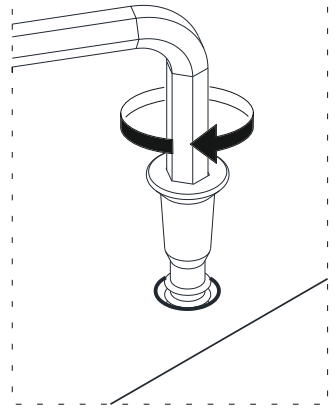
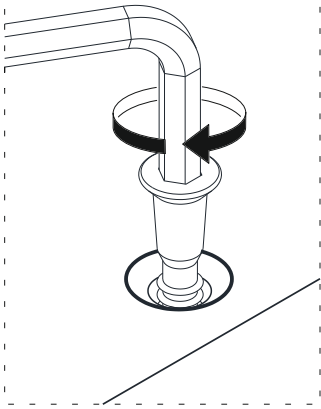
**1**

**1**



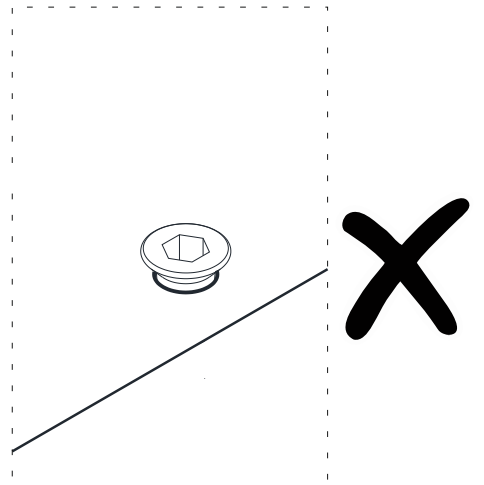
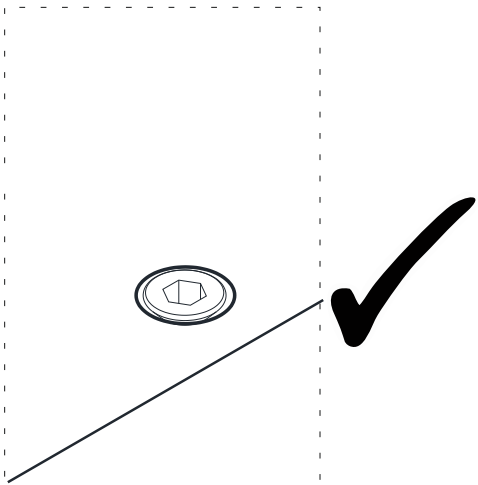
**2**

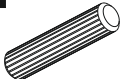
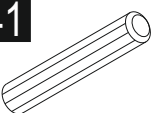

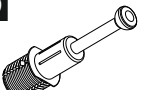


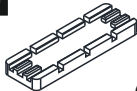

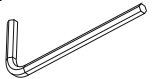
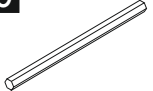
**2**

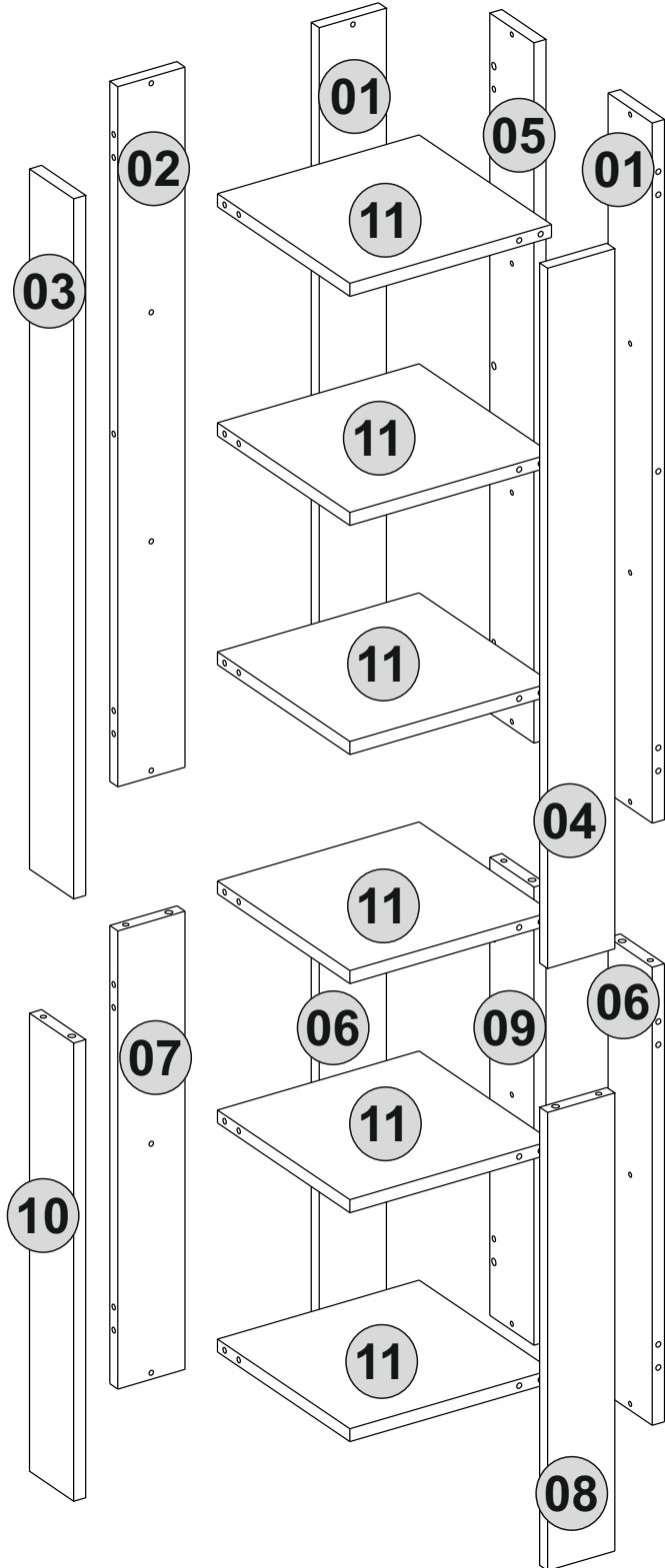


**3**

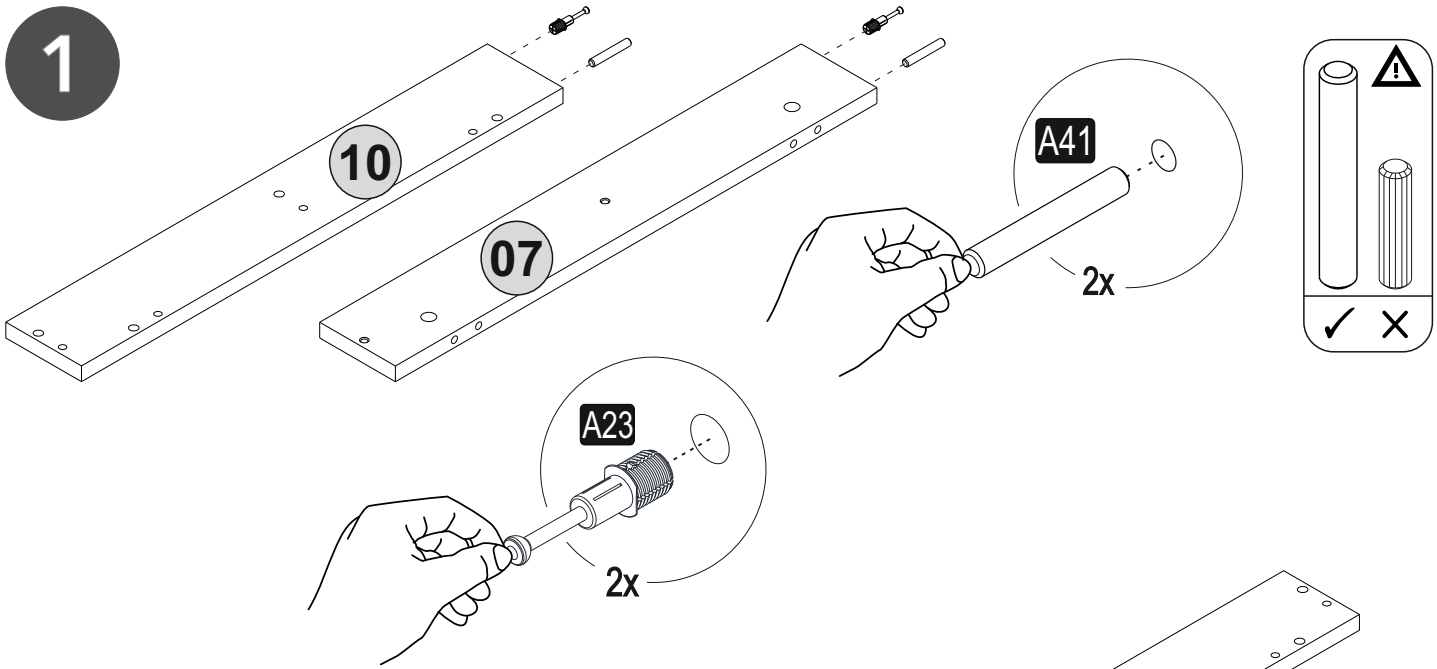
**3**



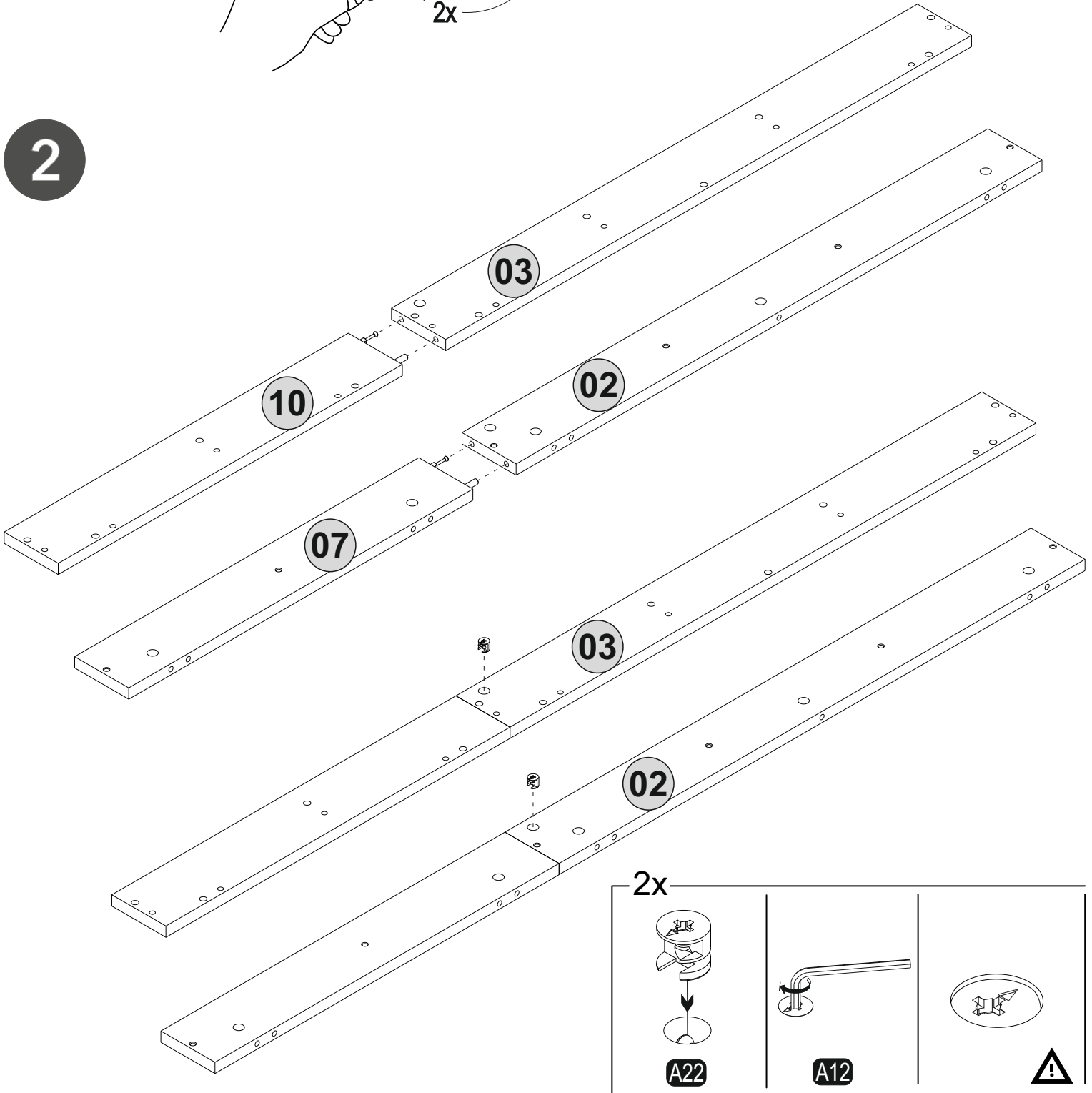
<b>A04</b>  $\varnothing 8 \times 30$ <b>24x</b>	<b>A41</b>  $\varnothing 8 \times 55$ <b>6x</b>	<b>A22</b>  <b>33x</b>	<b>A23</b>  <b>33x</b>	<b>A13</b>  50mm <b>24x</b>
<b>A06</b>  18mm <b>C1-57x</b>	<b>A08</b>  5mm <b>C1-4x</b>	<b>Y03</b>  <b>4x</b>	<b>A12</b>  <b>1x</b>	<b>A26</b>  <b>1x</b>



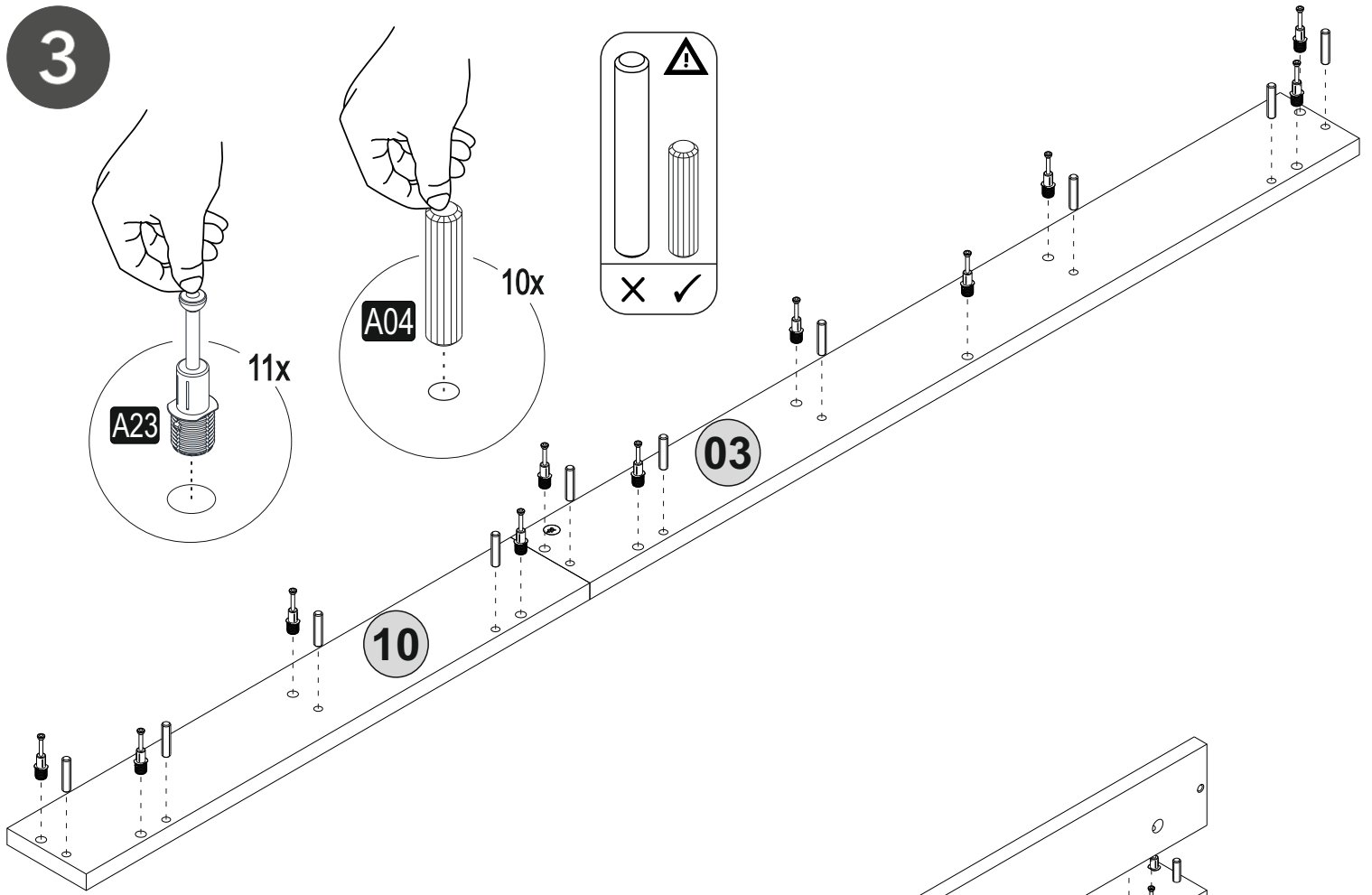
1



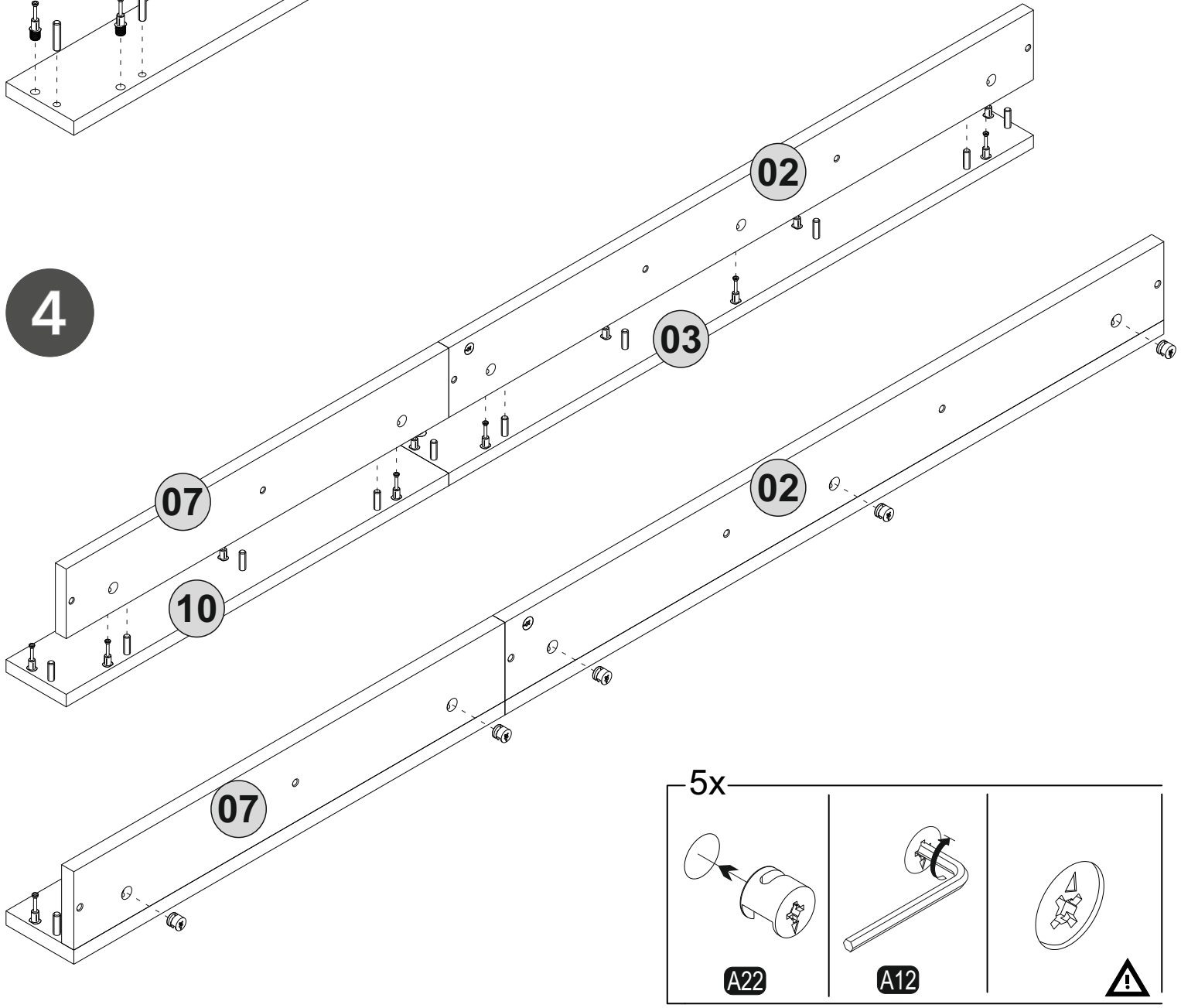
2

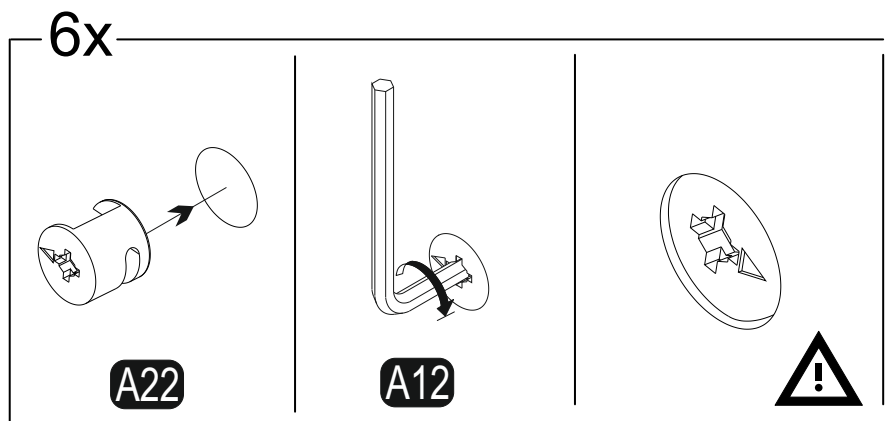
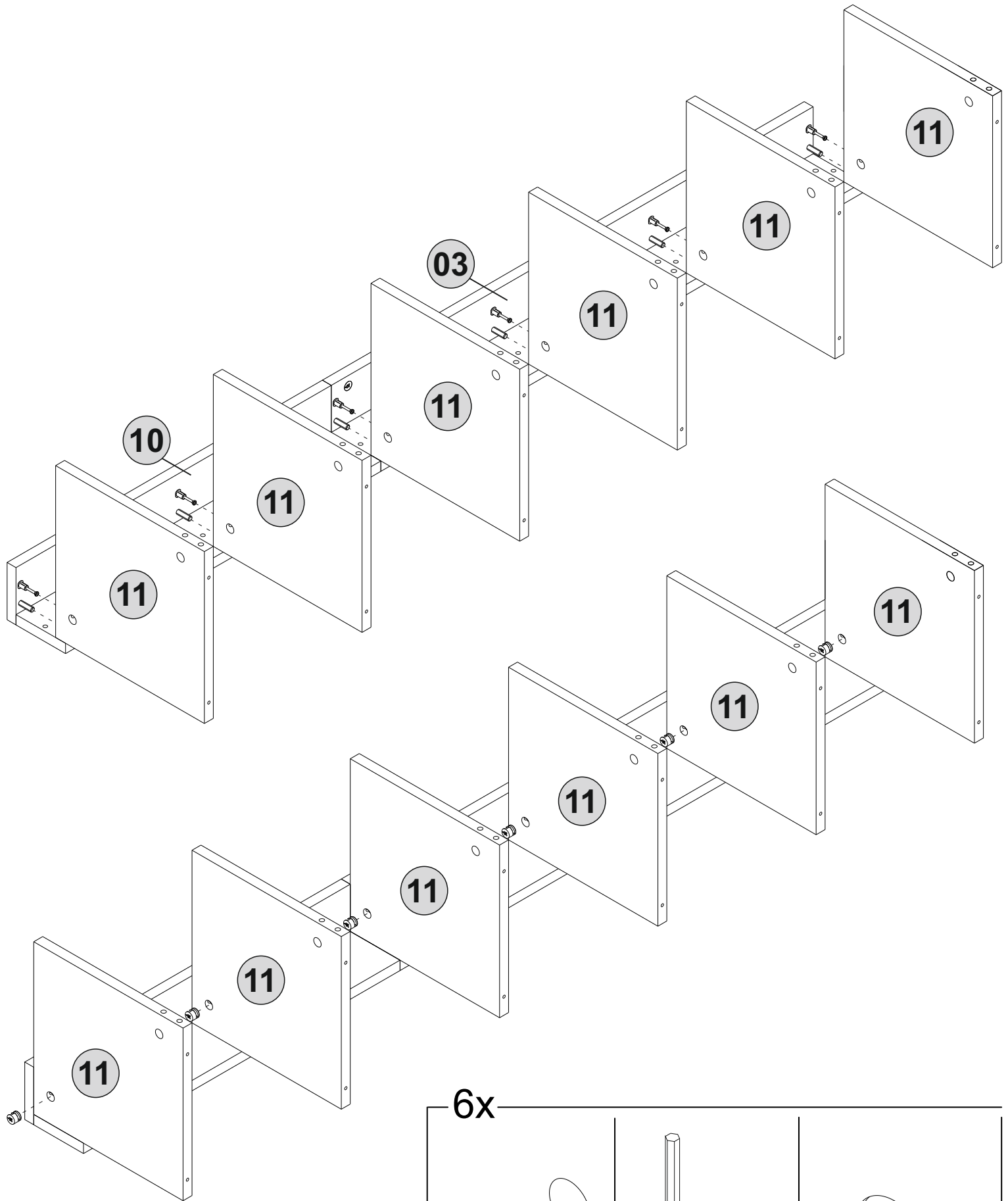


3

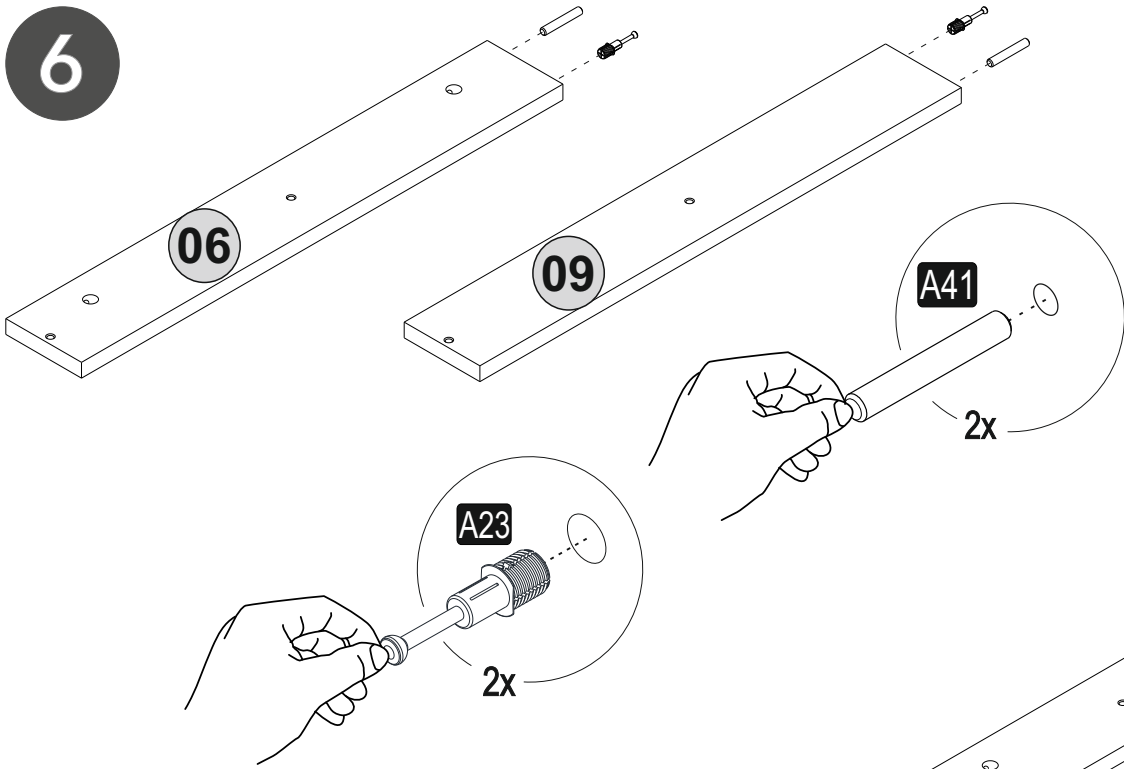


4

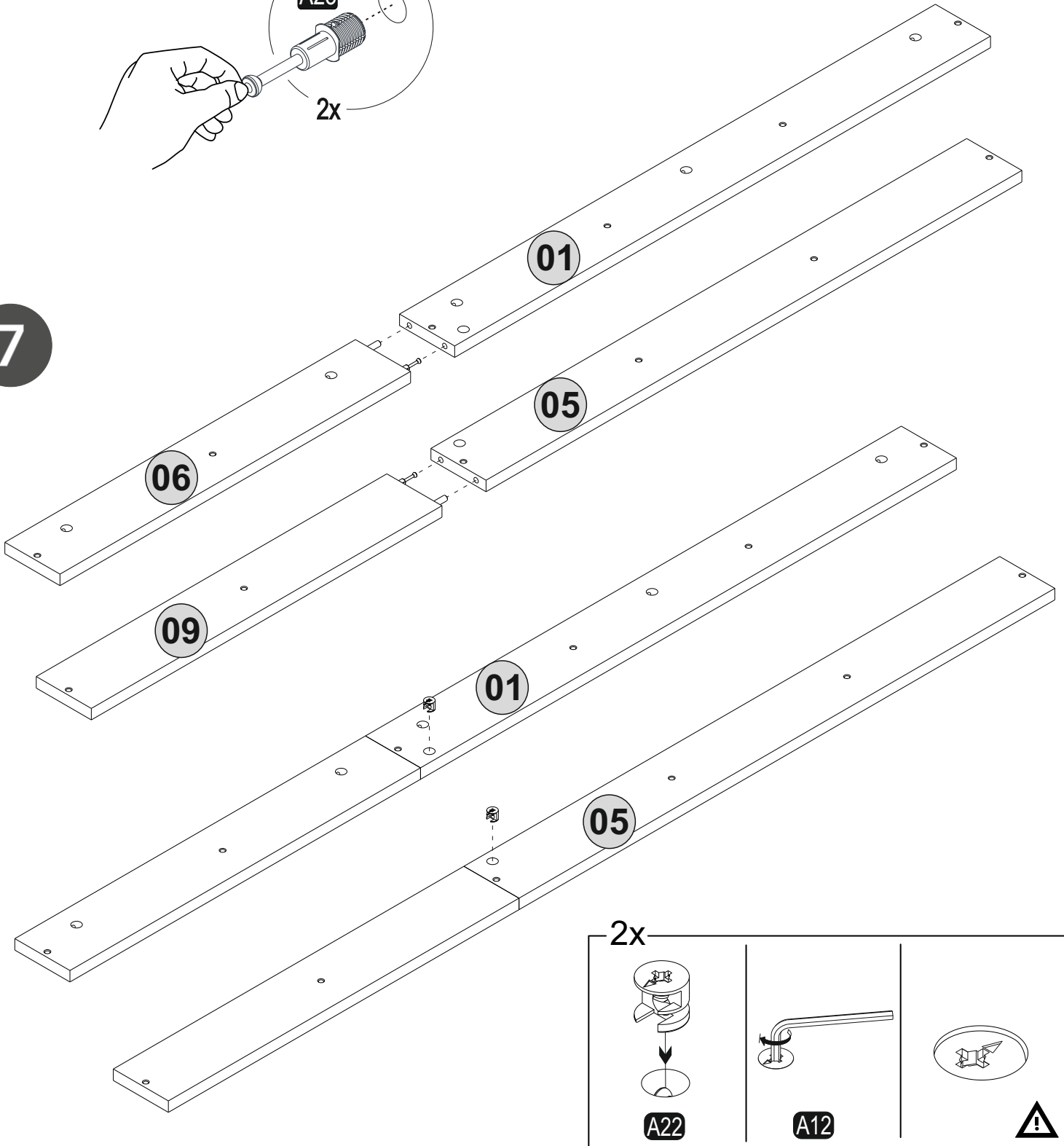




6

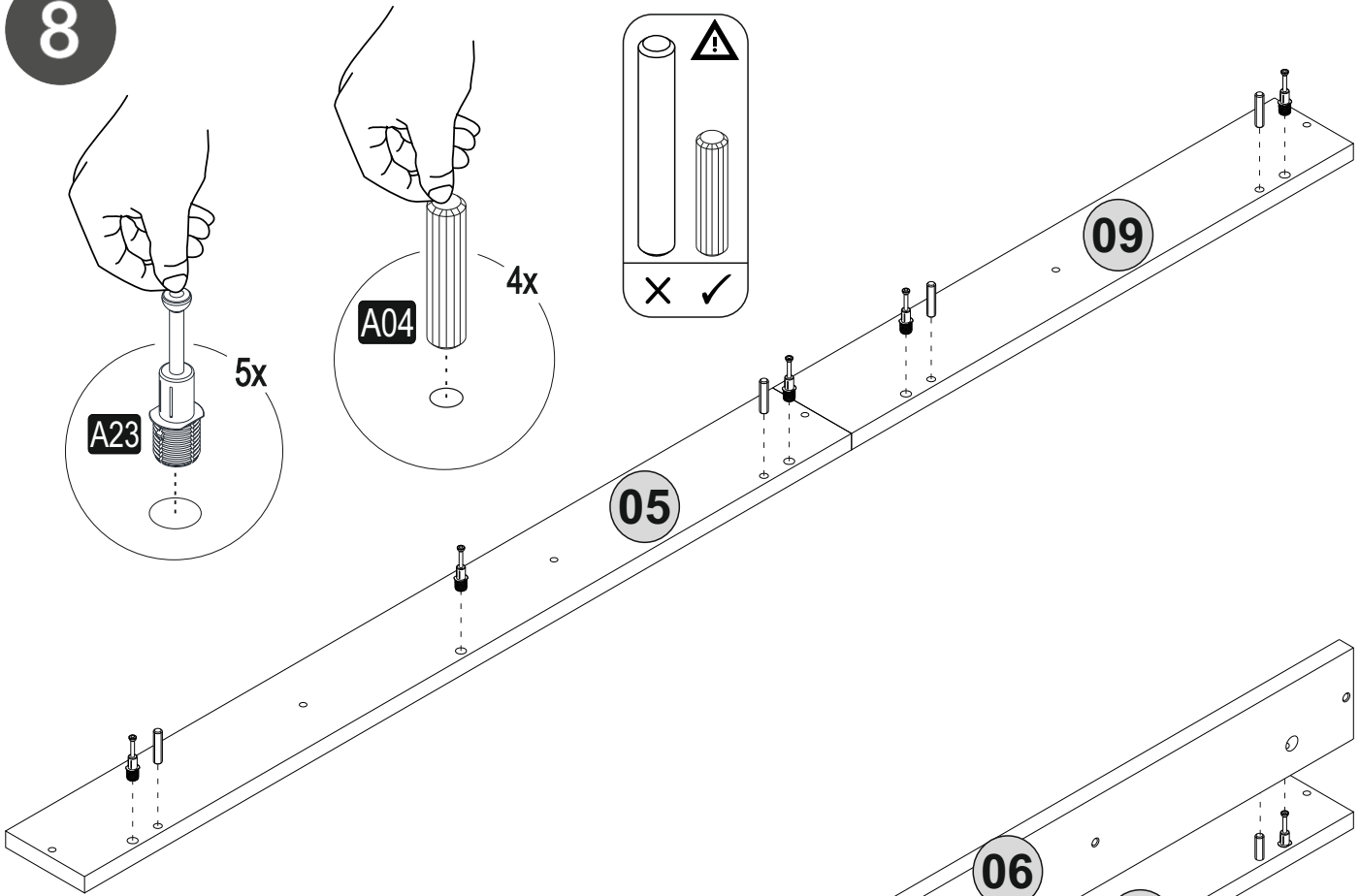


7

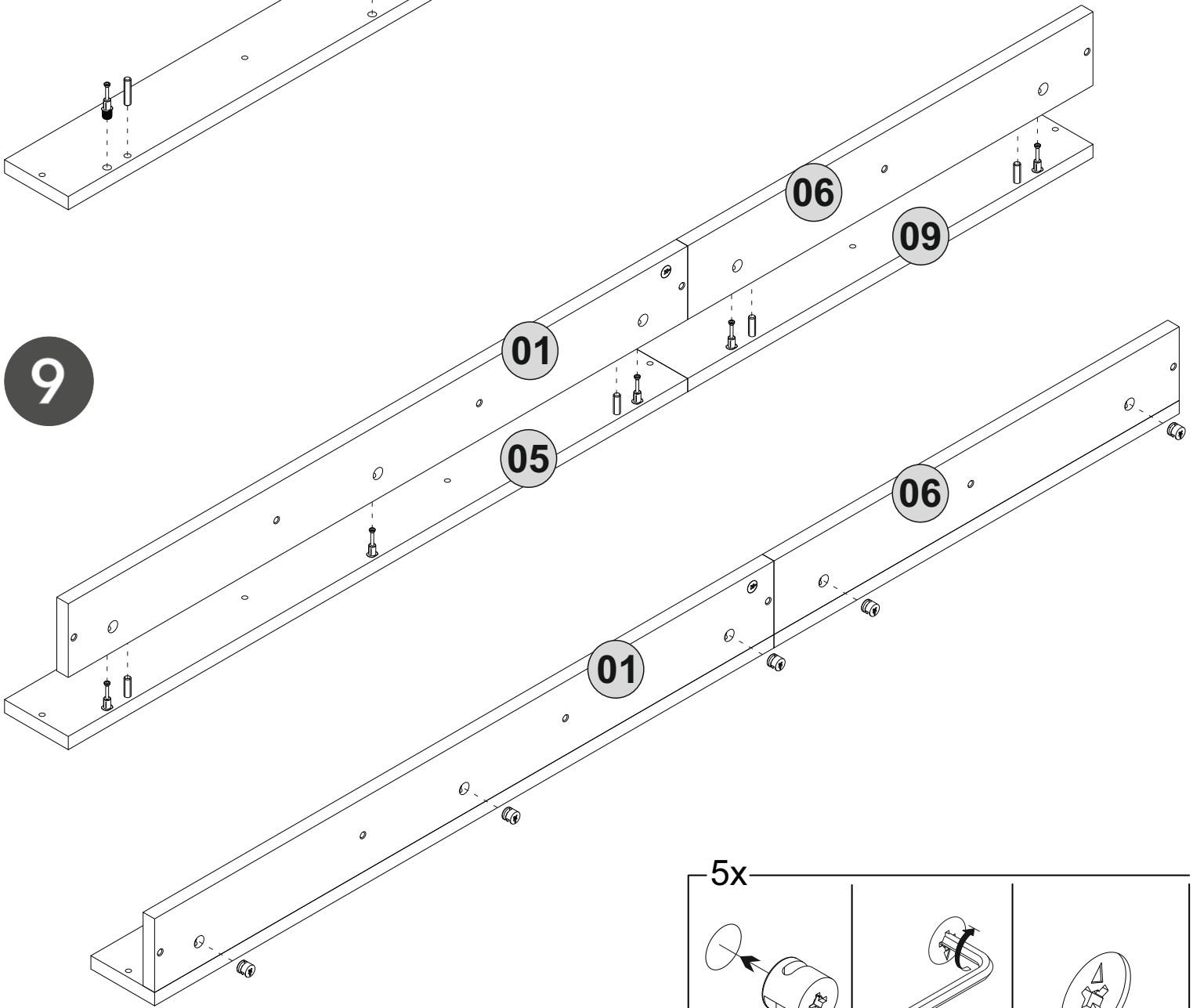




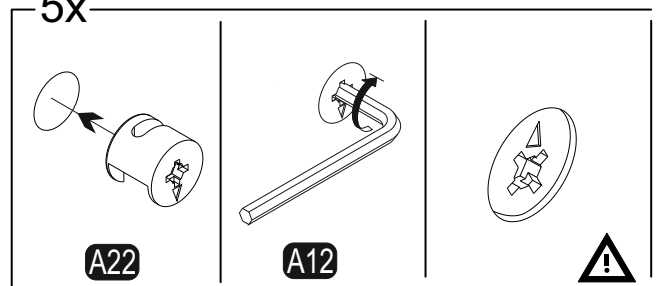
8



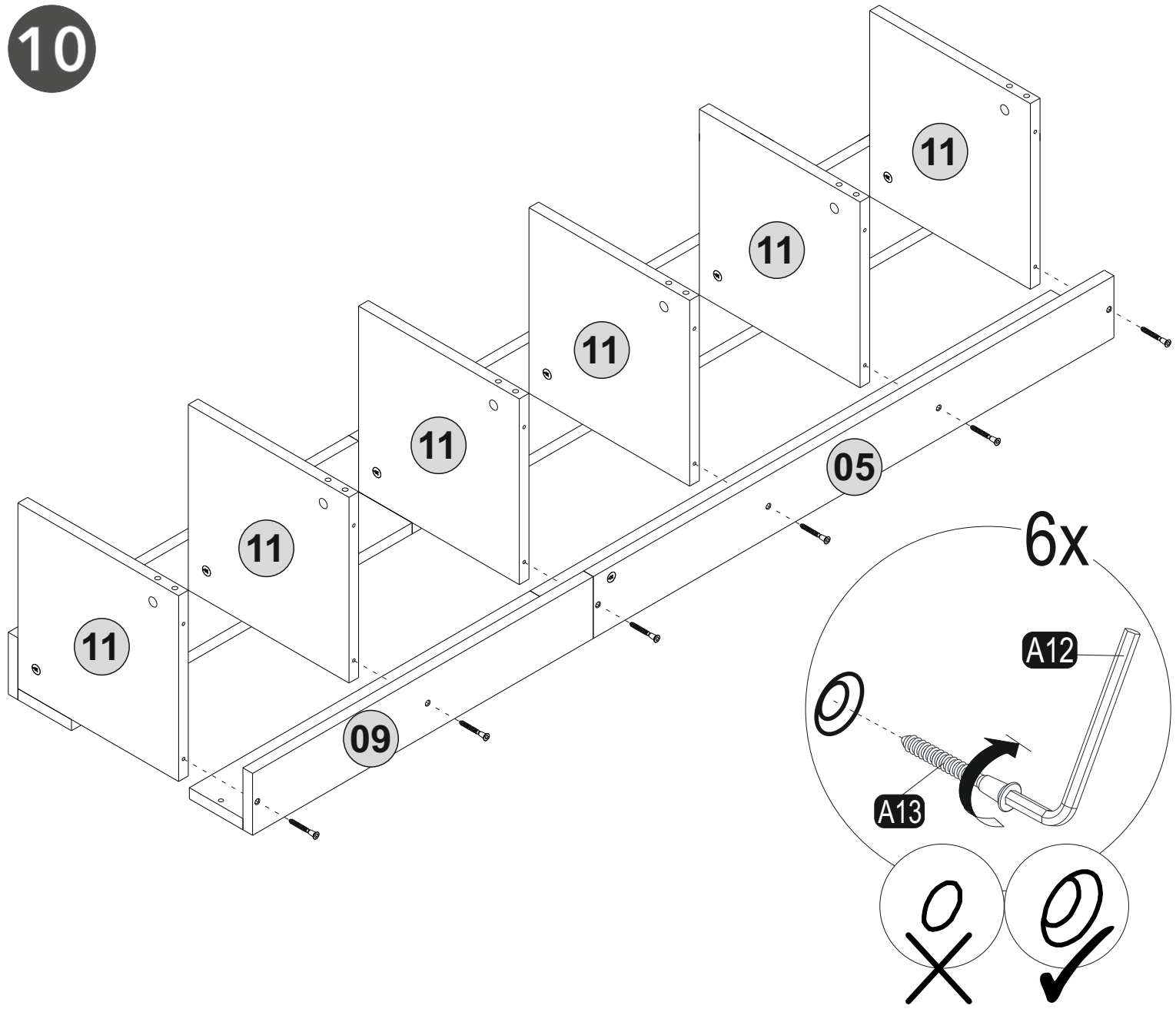
9



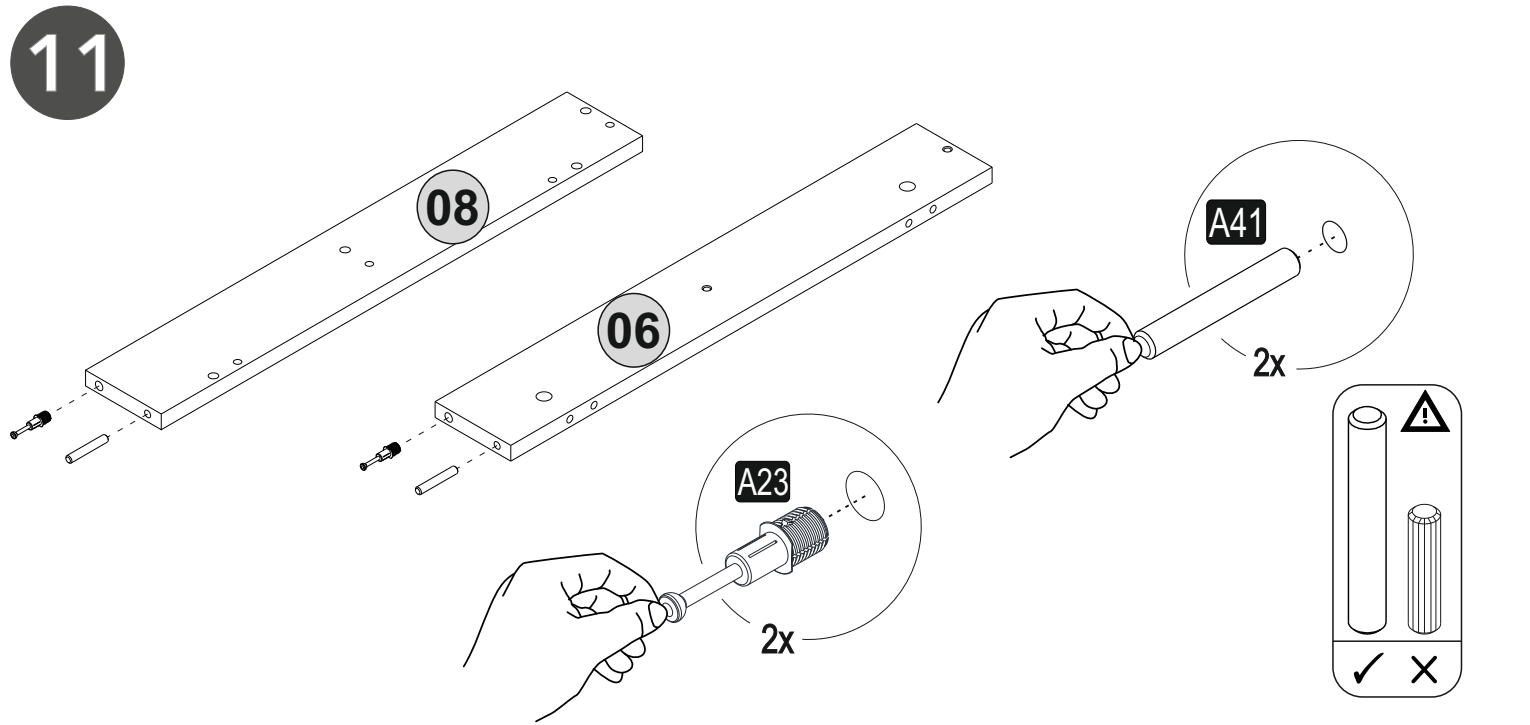
5x

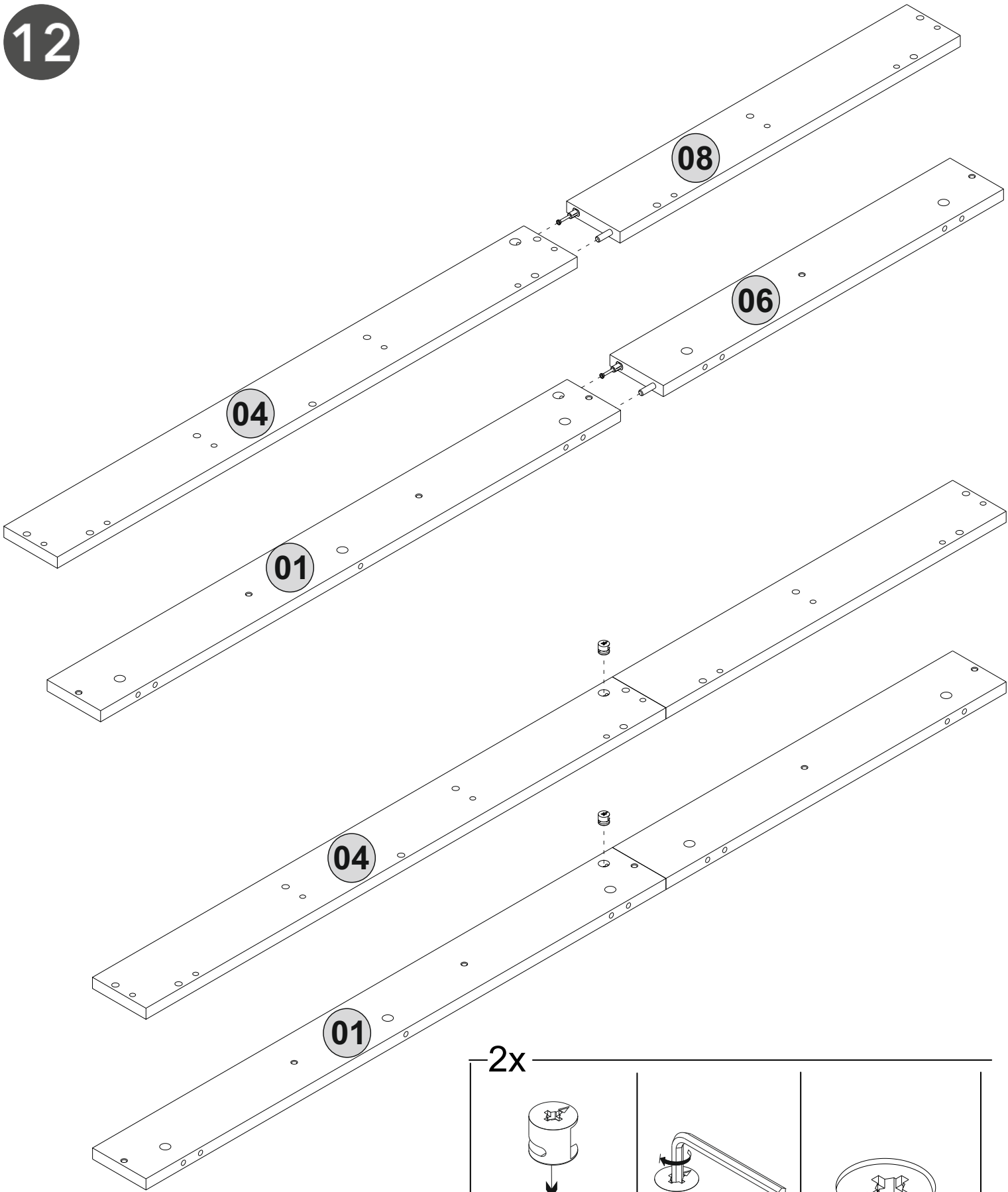


10

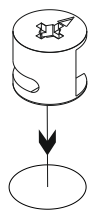
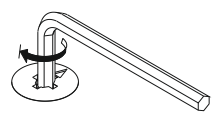
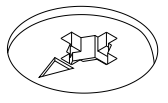


11

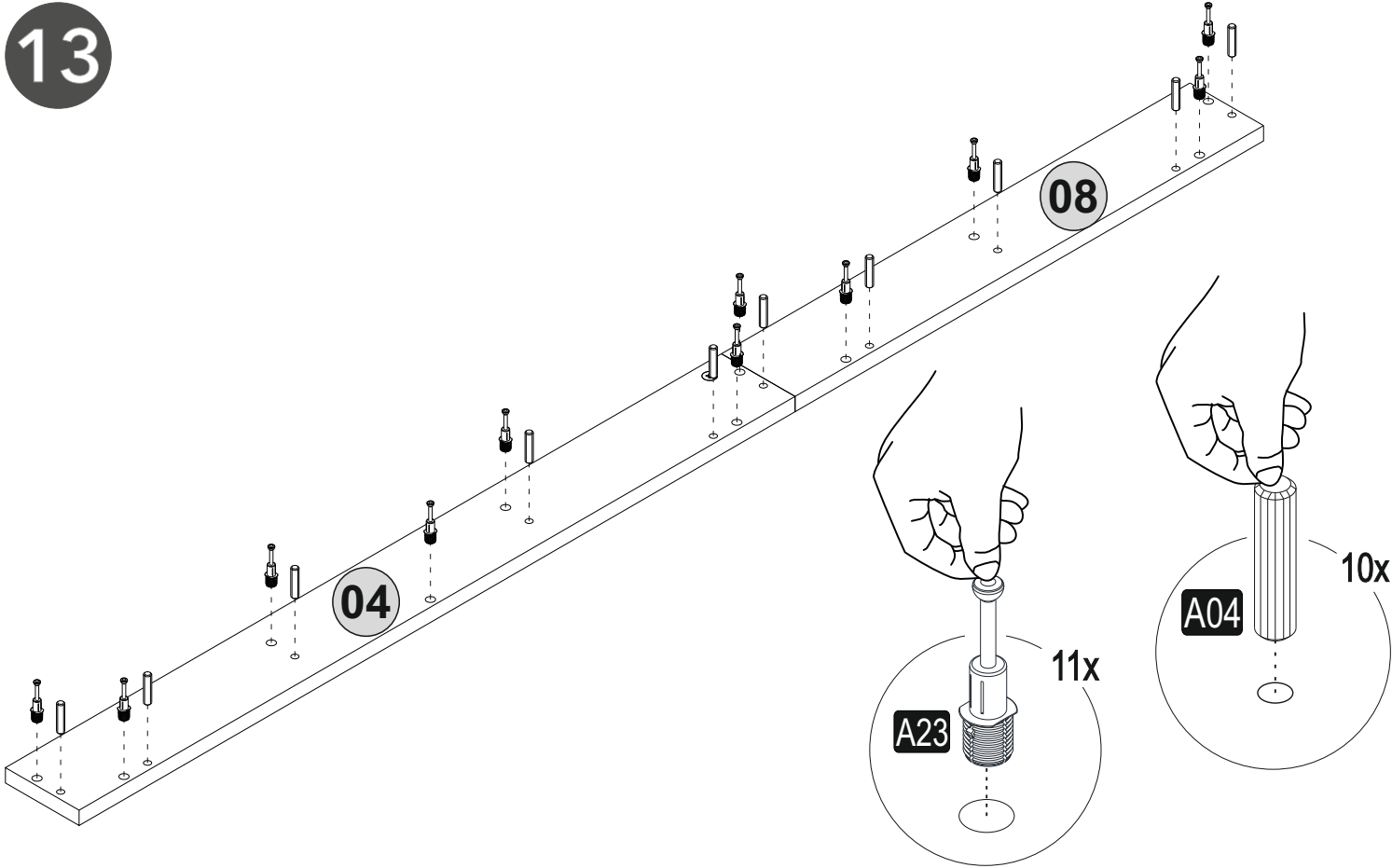




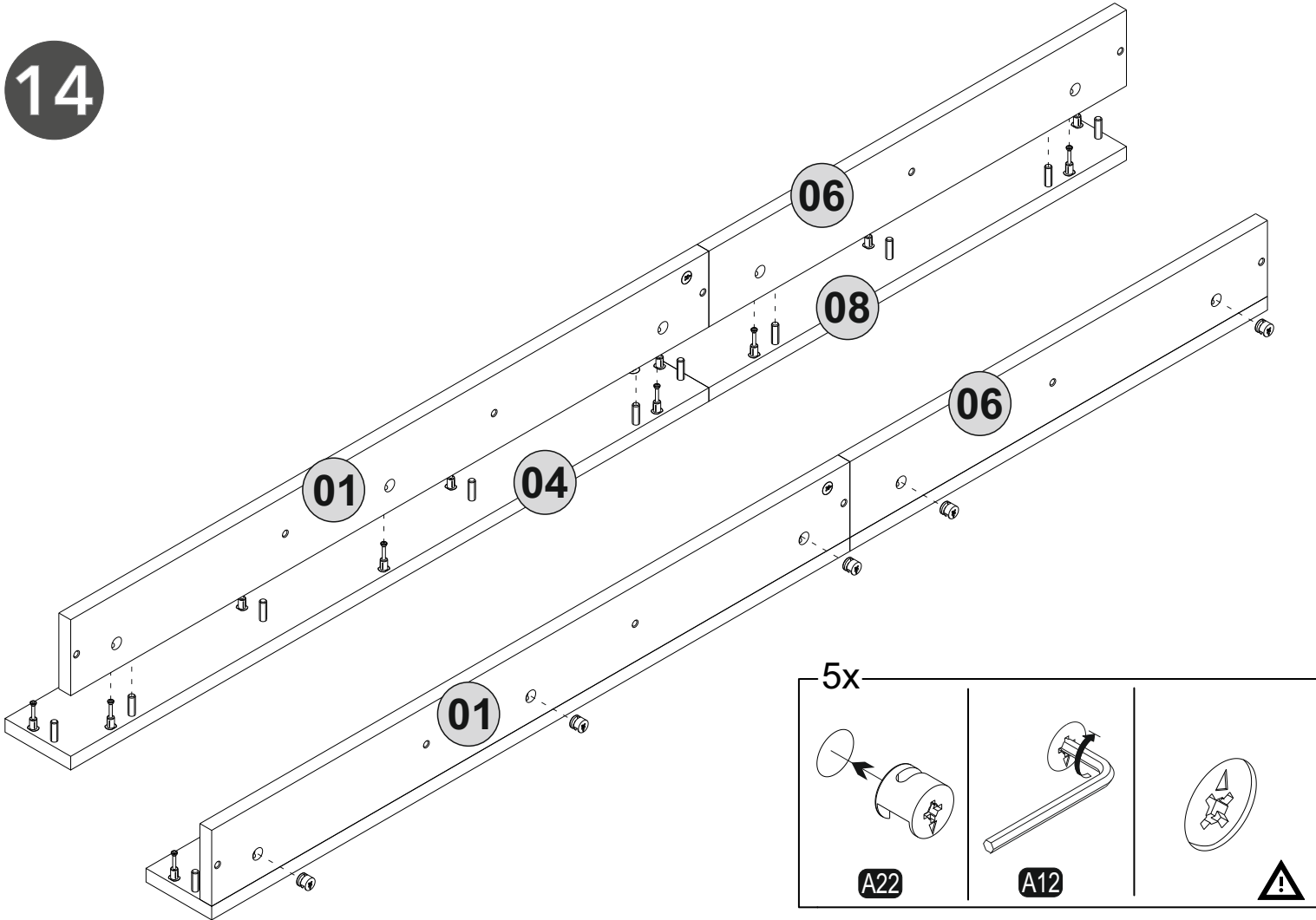
2x

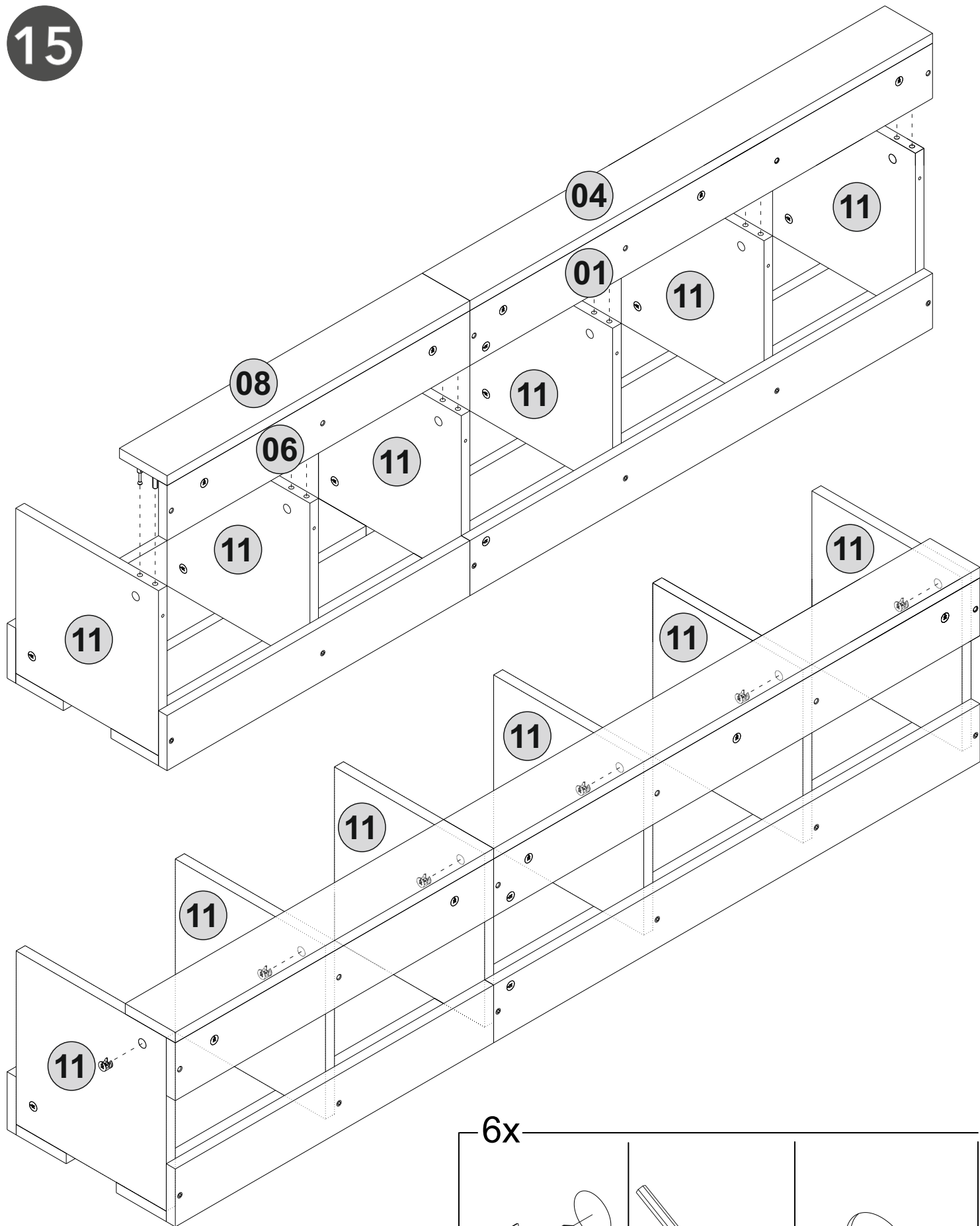
 <p>A22</p>	 <p>A12</p>	 <p>!</p>
--	--	--

13

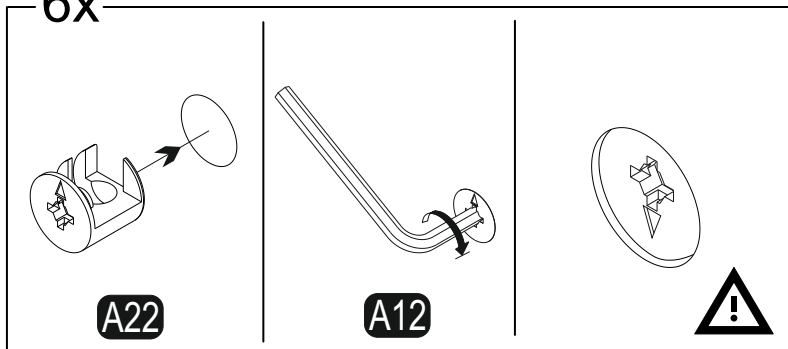


14



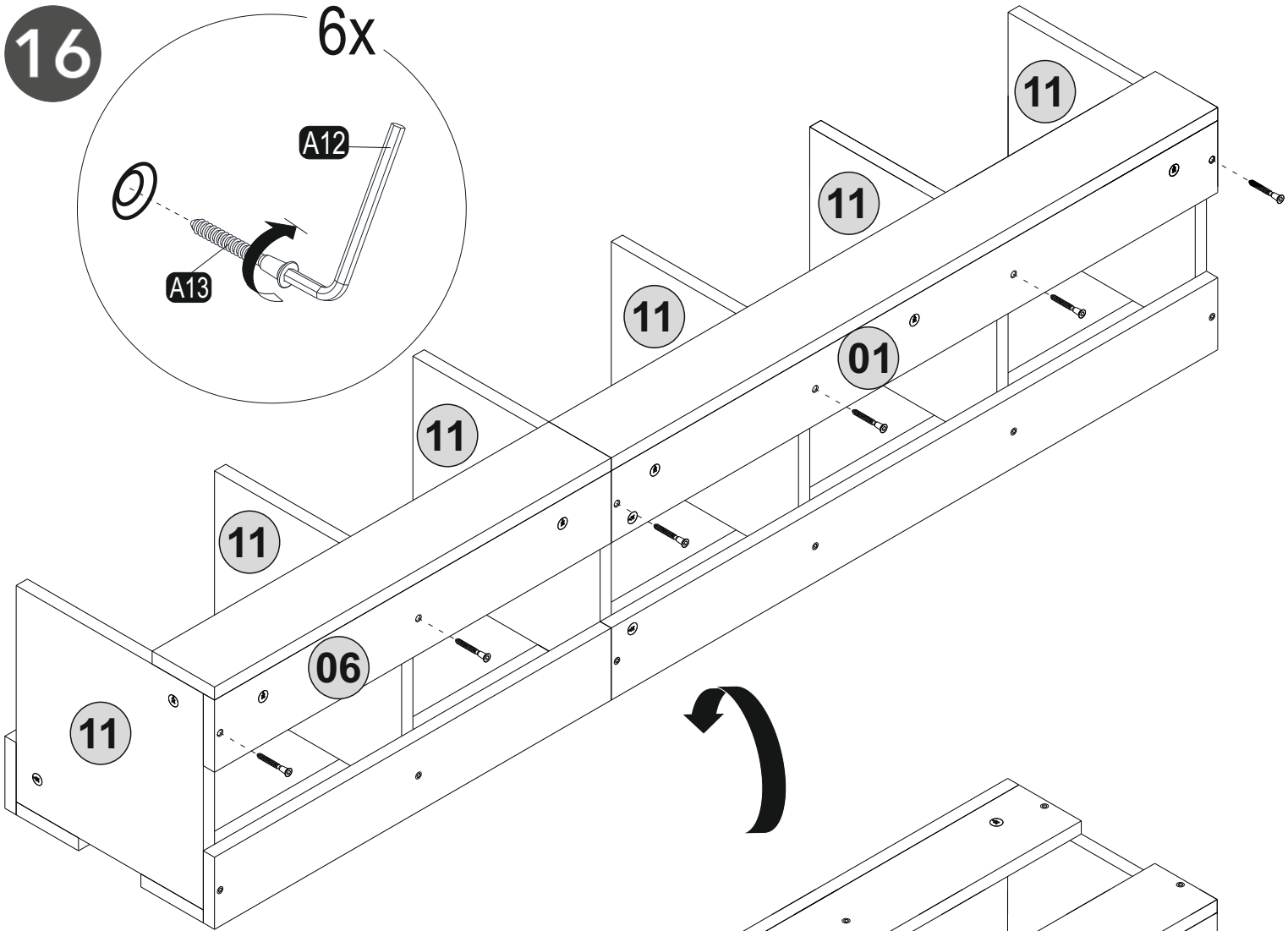
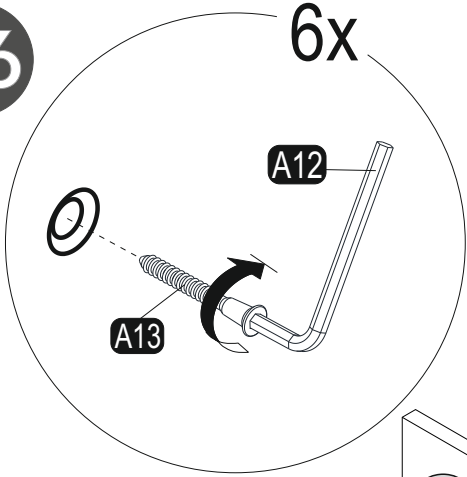


6x



16

6x



17

12x

