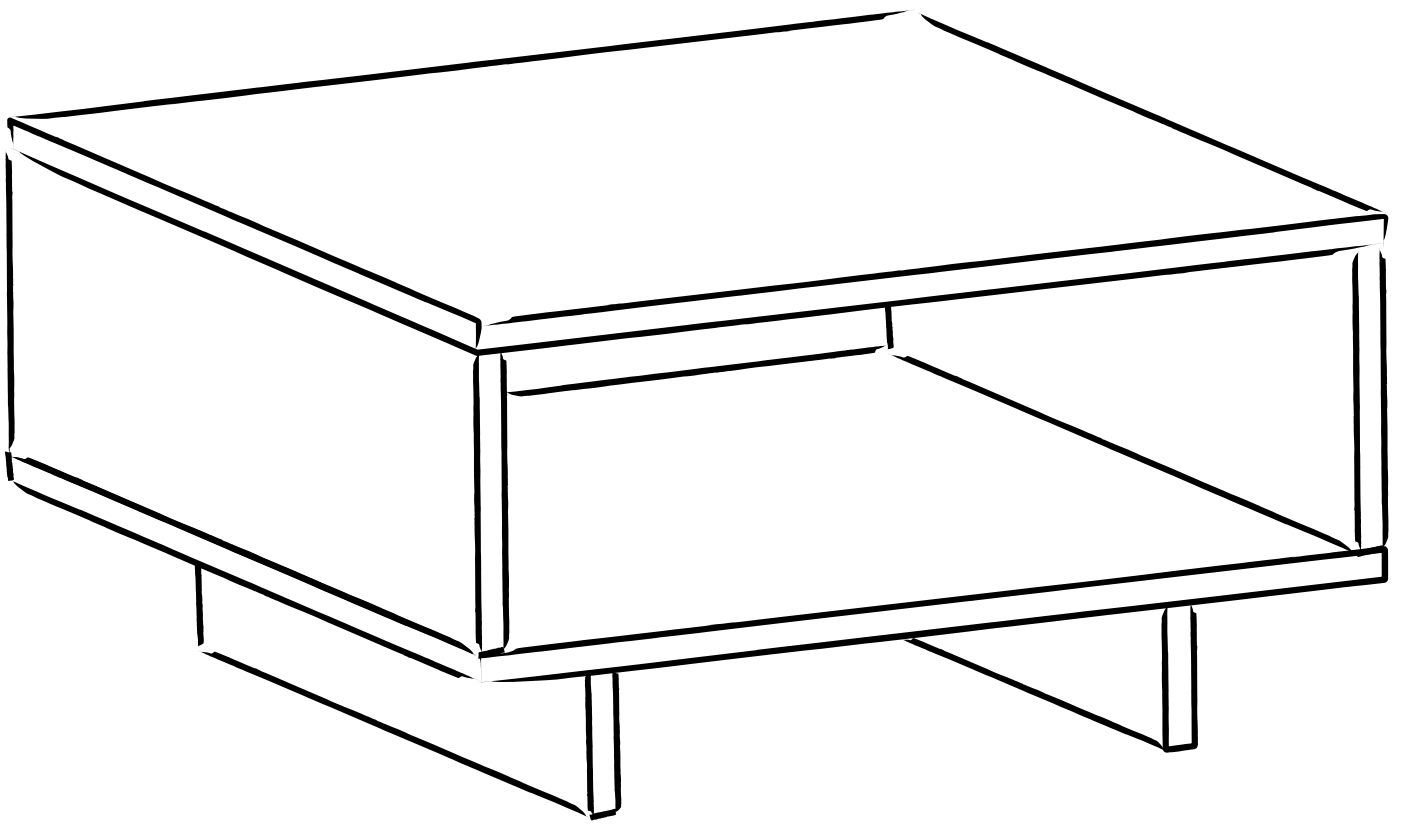
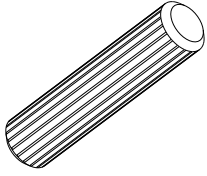


TUNNEL

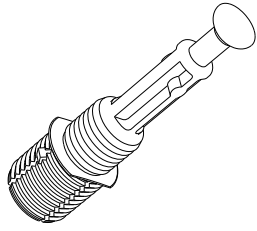
141461



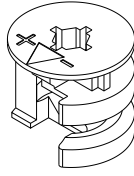
A04



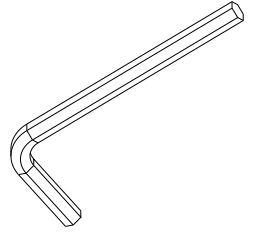
A23



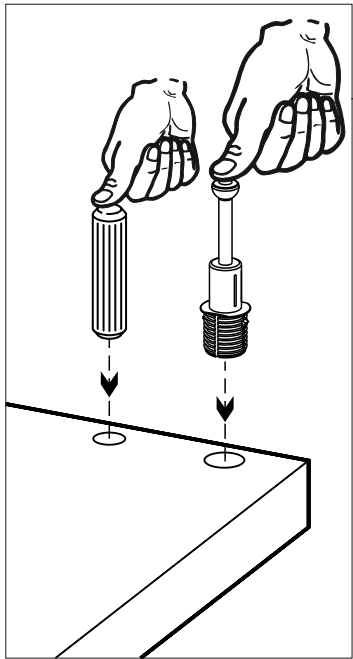
A22



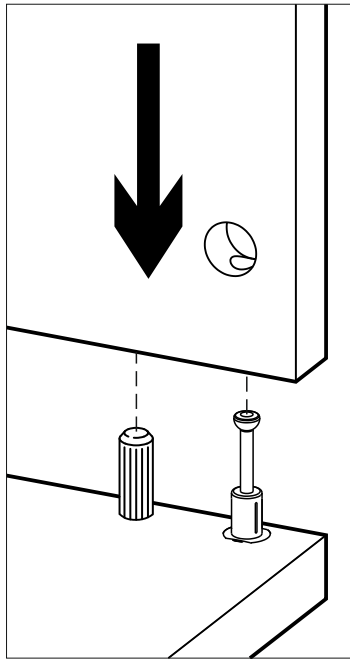
A12



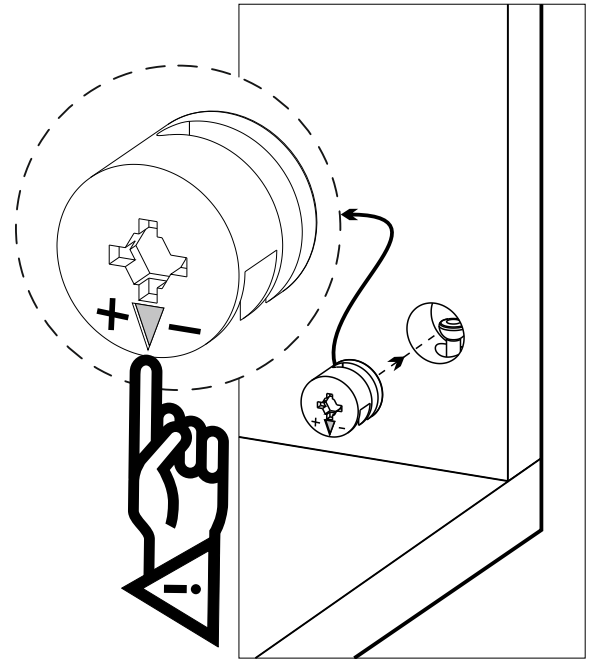
1



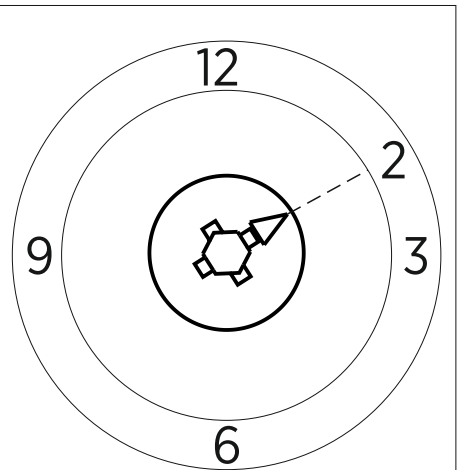
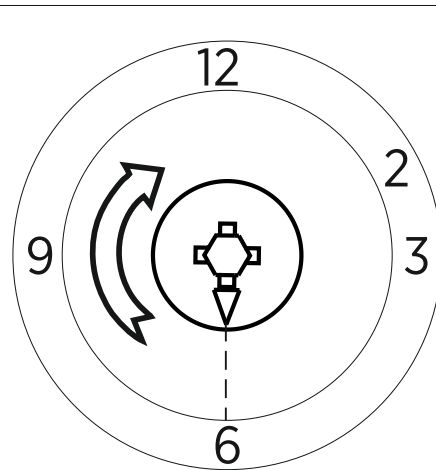
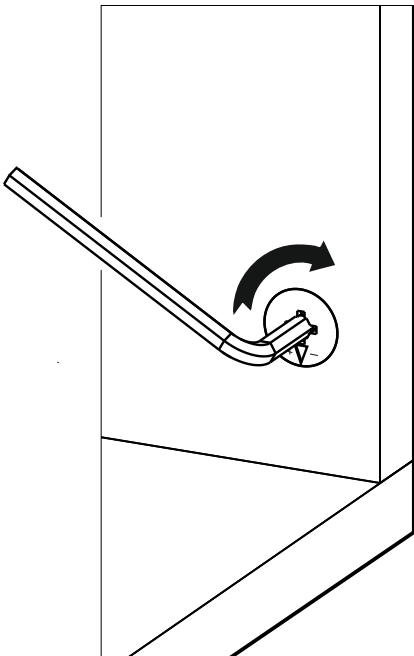
2



3



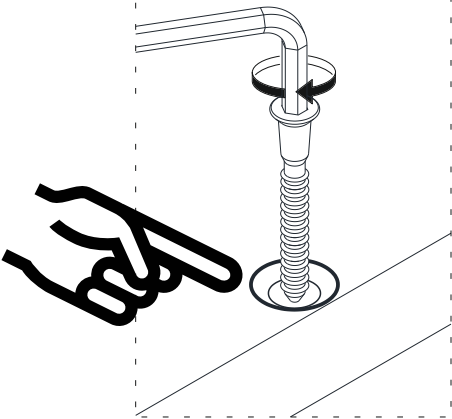
4



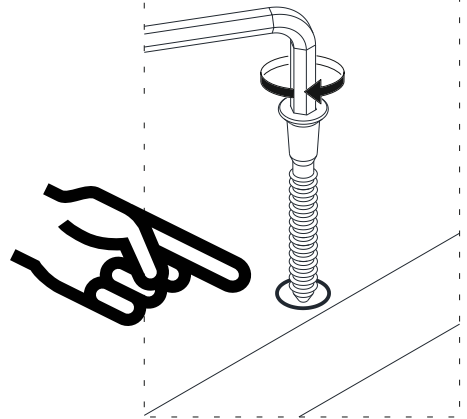
A13



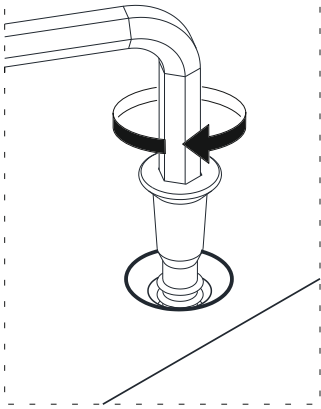
1



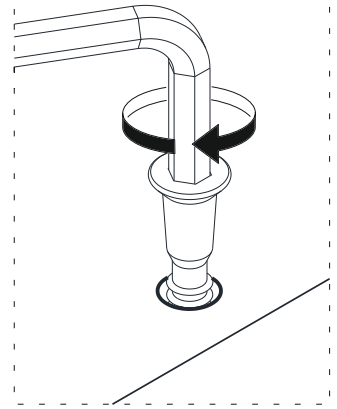
1



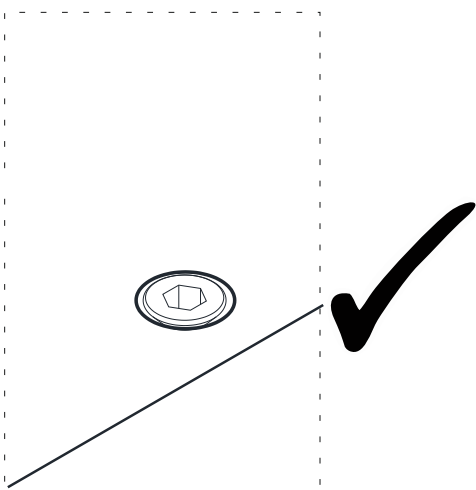
2



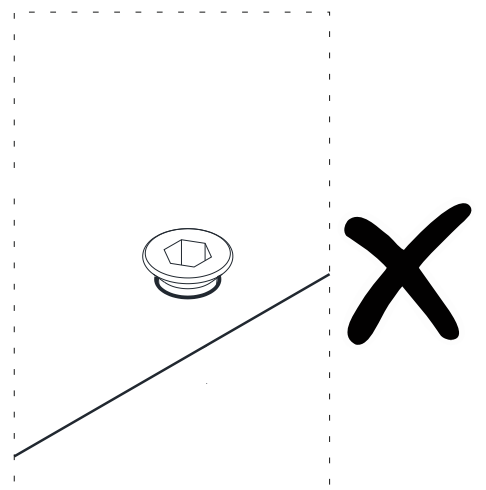
2

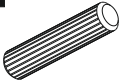

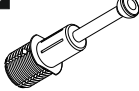

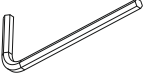
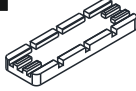
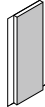



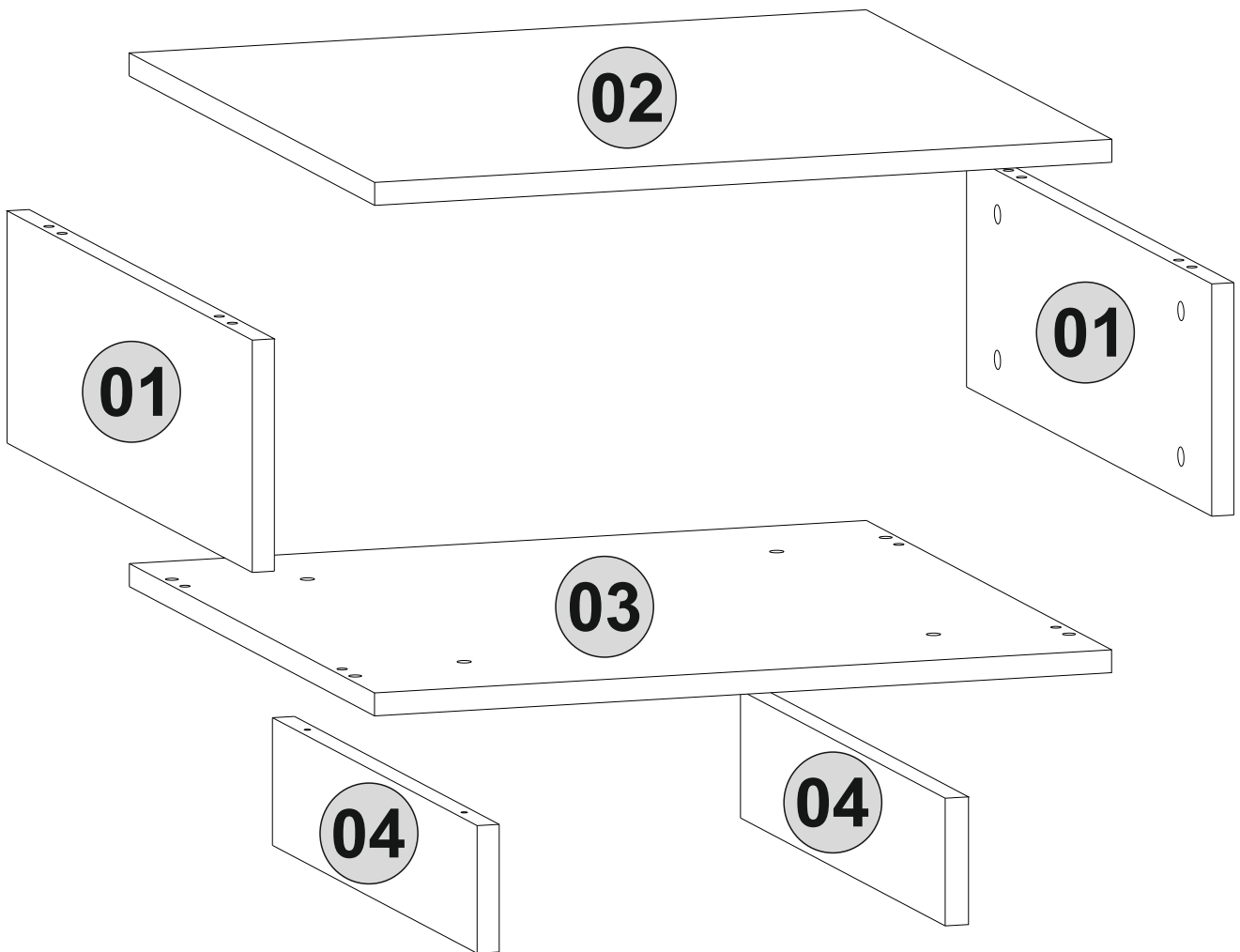
3



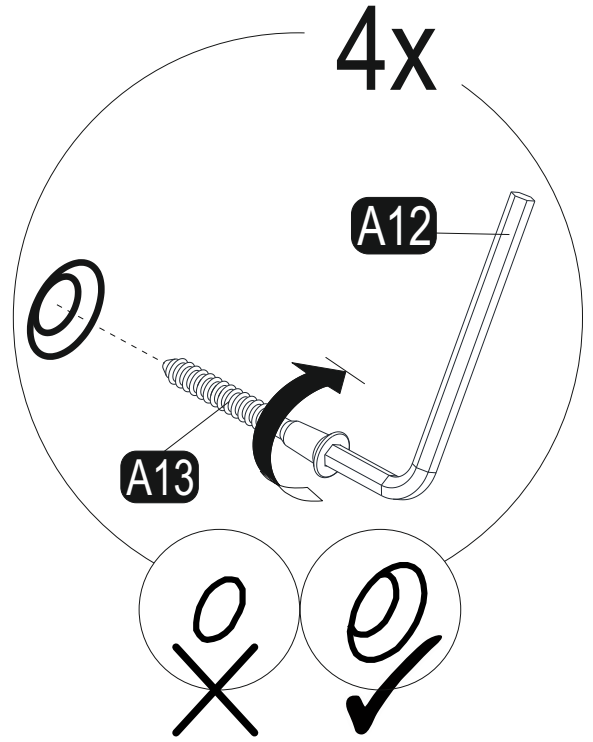
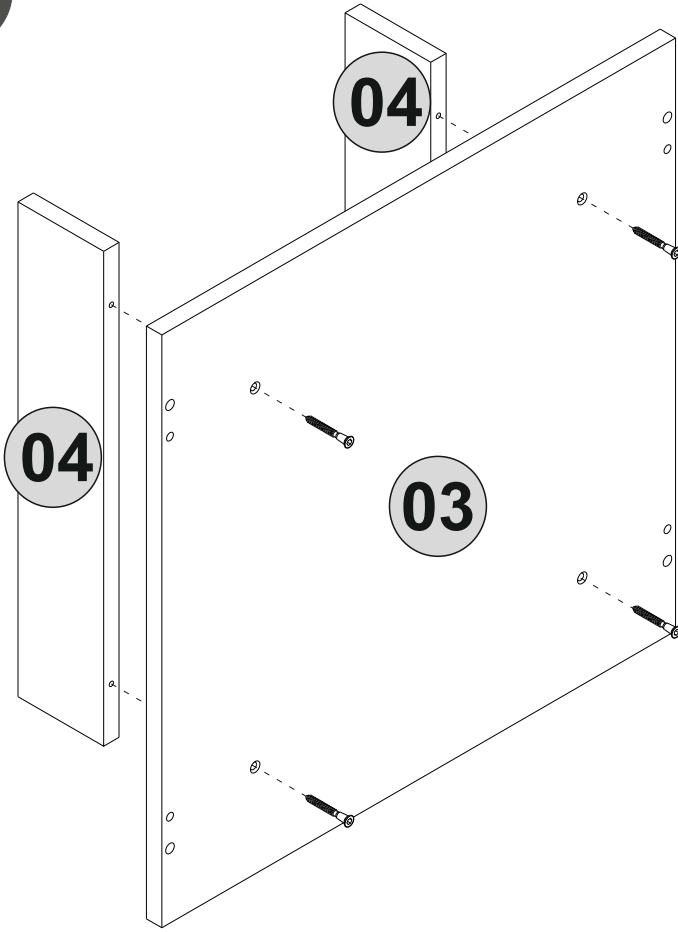
3



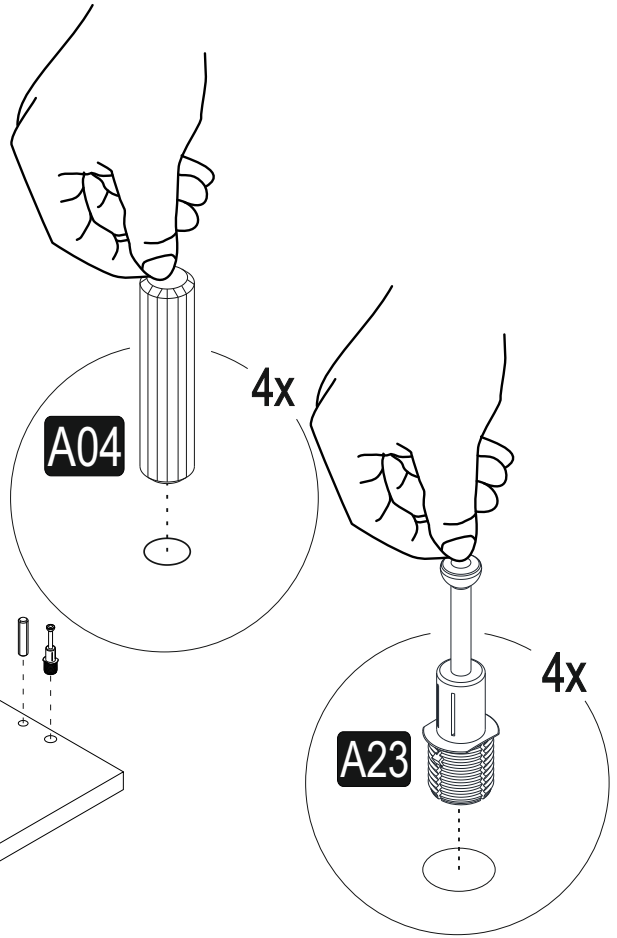
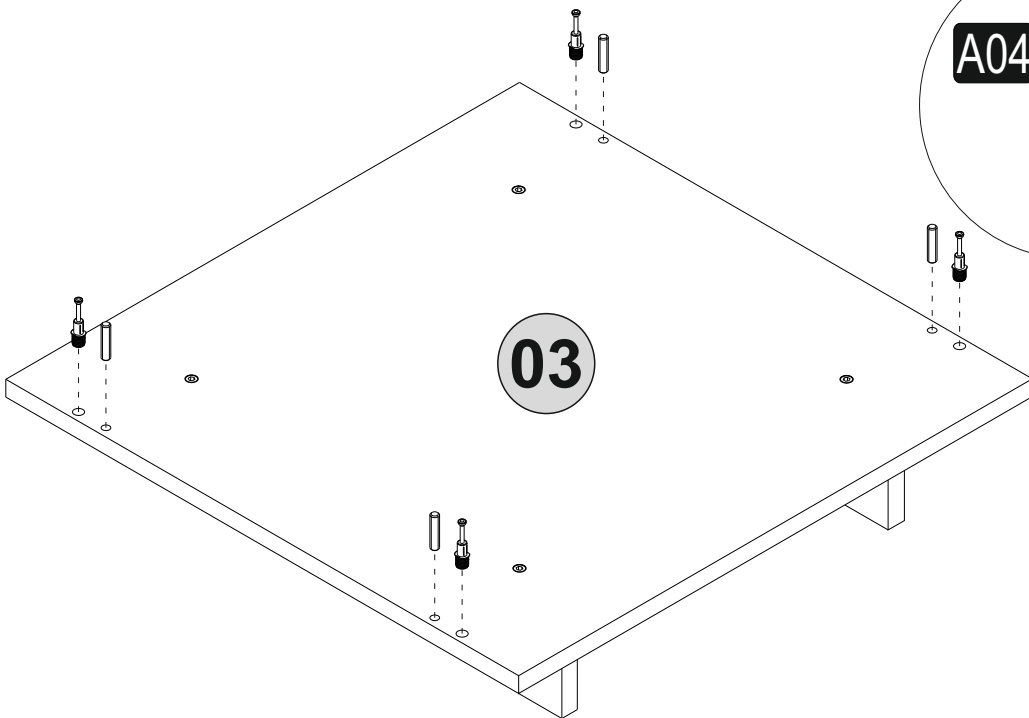
A04  $\varnothing 8 \times 30$ 8x	A22  $\varnothing 8 \times 30$ 8x	A23  $\varnothing 8 \times 50$ 8x	A13  50mm 4x	A12  1x
A08  5mm C2-4x	Y03  4x	A06  18mm C1-12x		



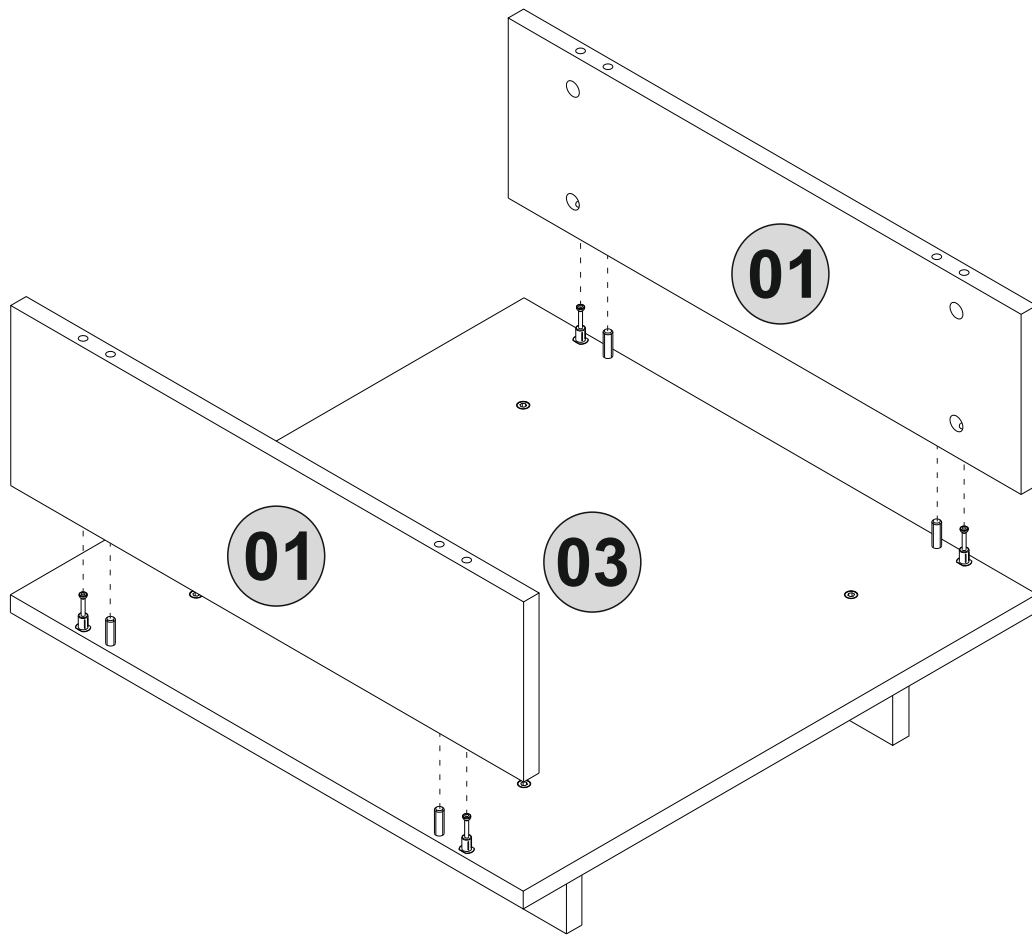
1



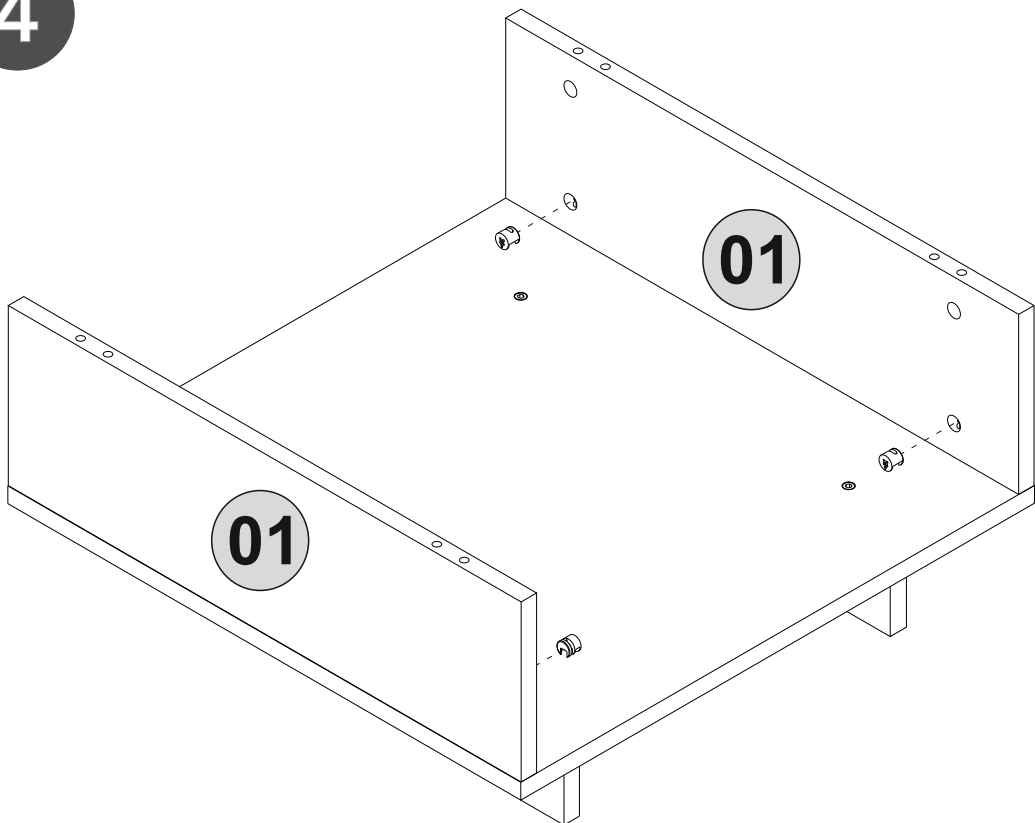
2



3



4



4x

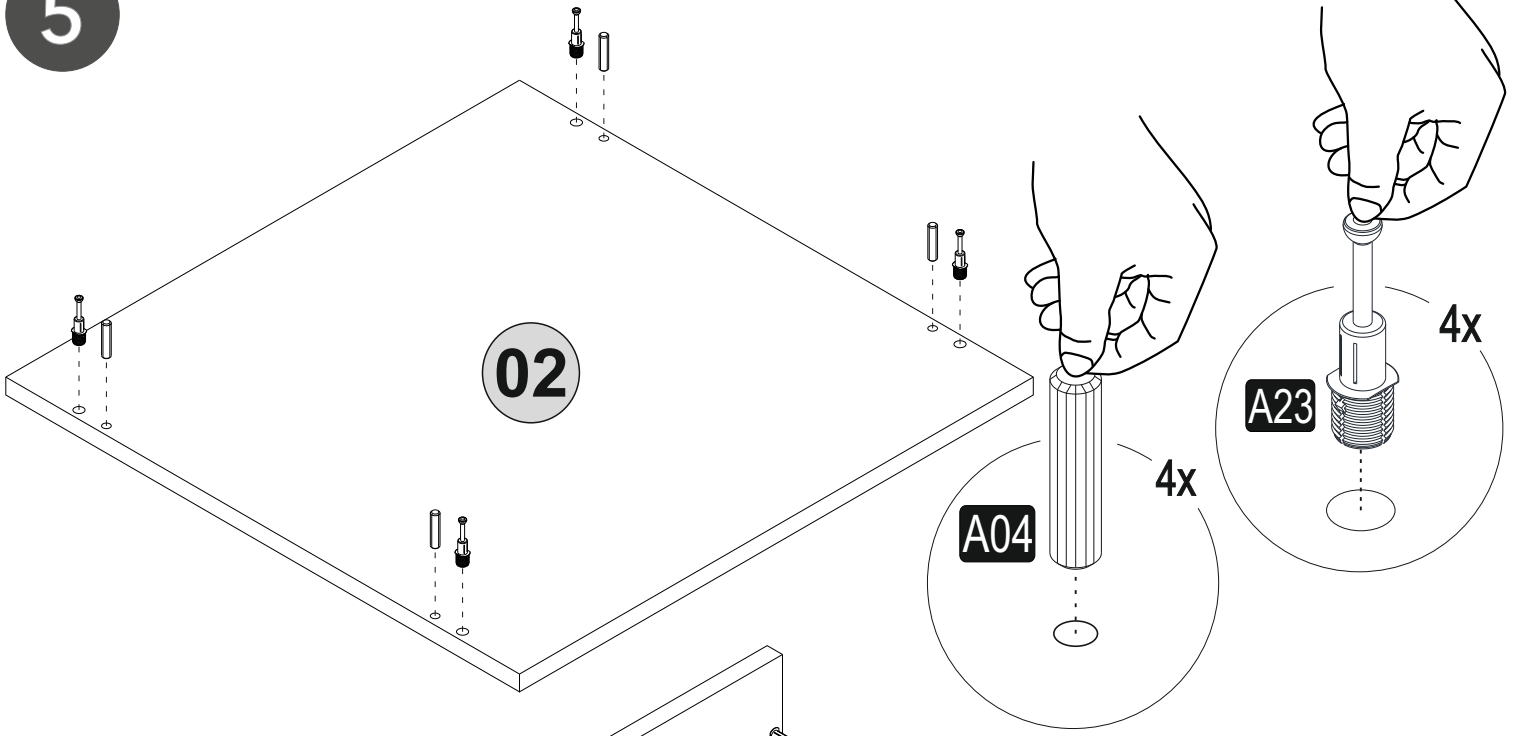
A22

A12

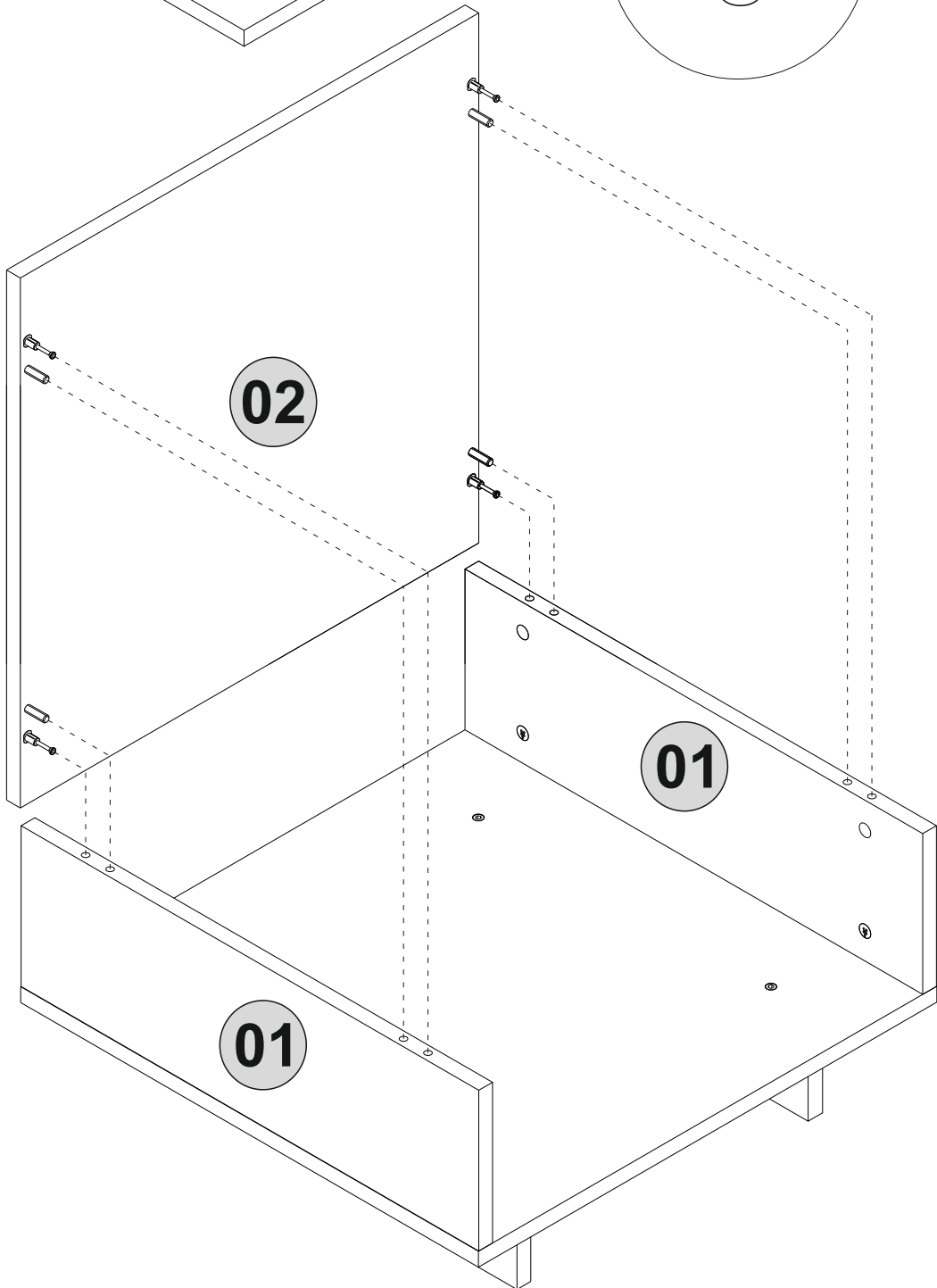
! (Warning symbol)

This block contains three detailed diagrams for screw installation. The first diagram shows a screw labeled A22 being inserted into a hole. The second diagram shows a screw labeled A12 being inserted into a hole. The third diagram shows a screw being inserted into a hole. A warning symbol (a triangle with an exclamation mark) is located at the bottom left of this block.

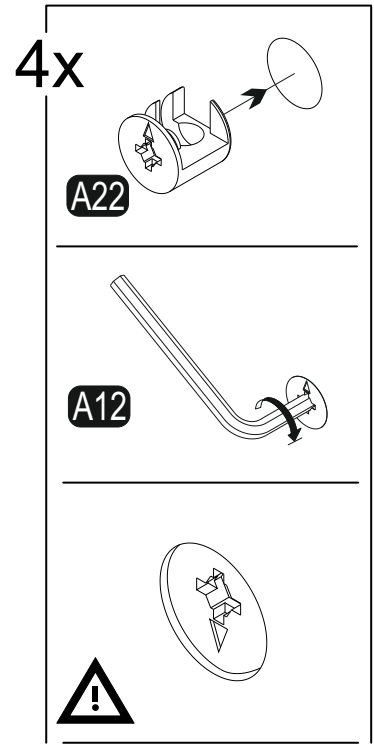
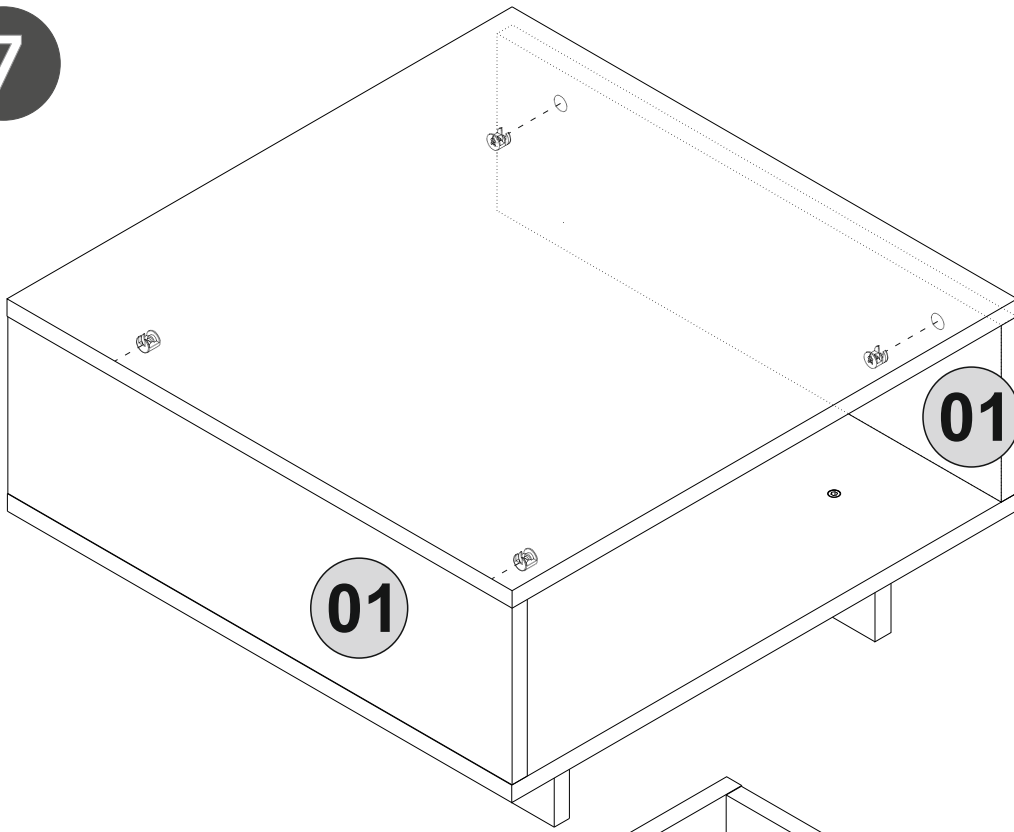
5



6



7



8

