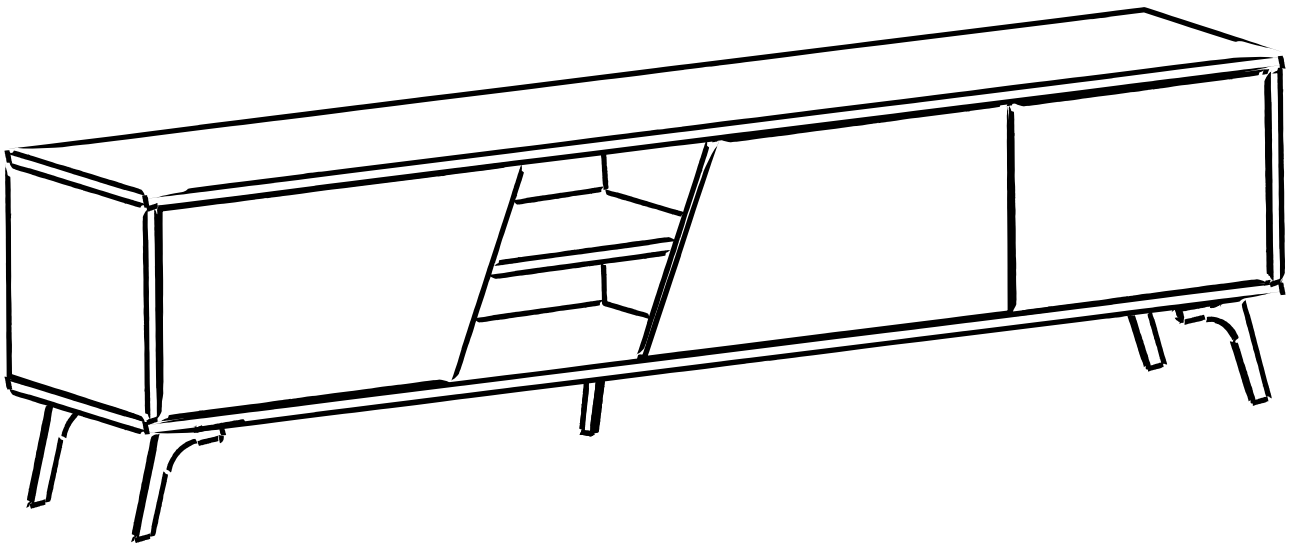
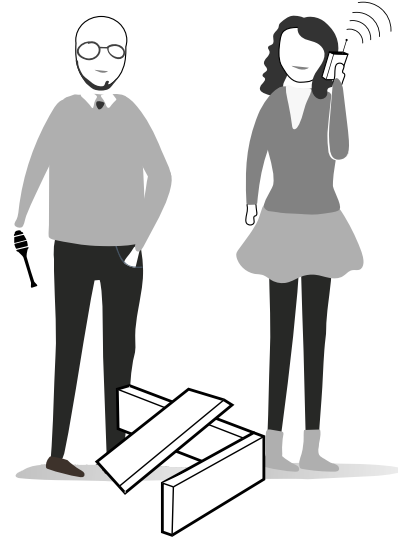
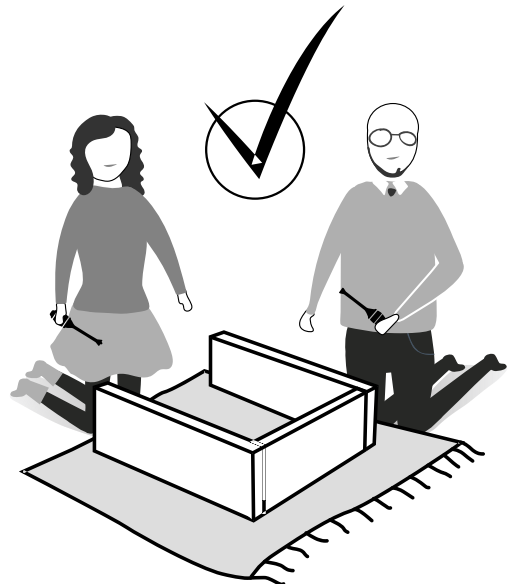
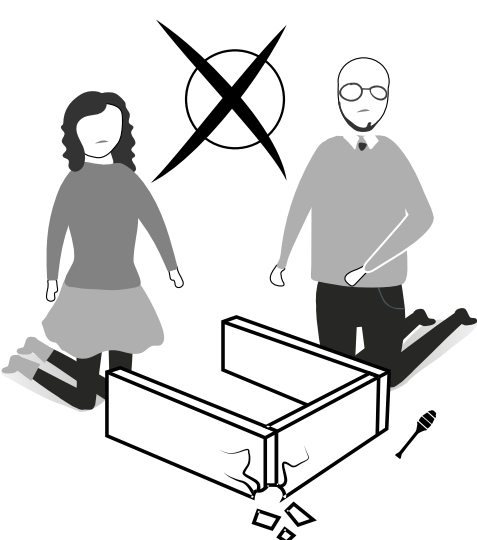
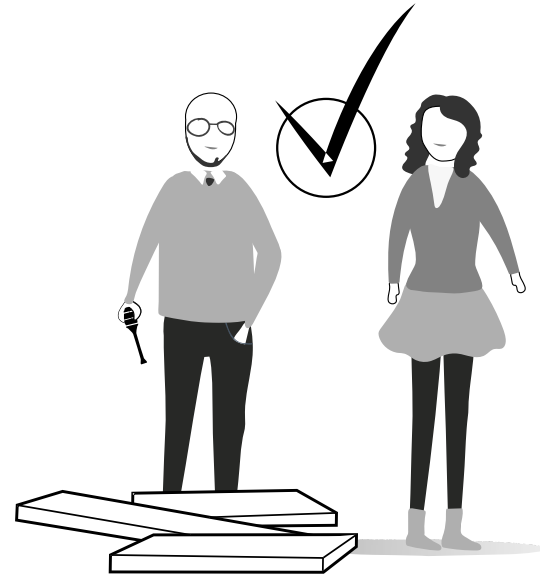
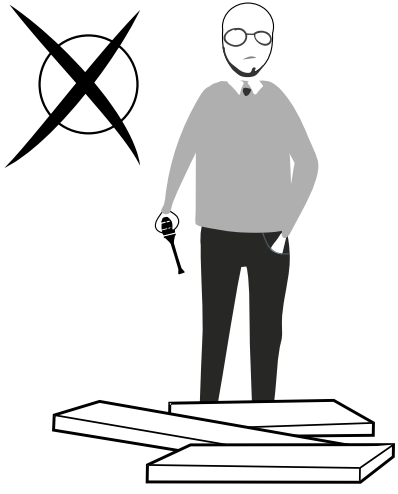


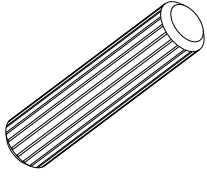
PROPER

141423

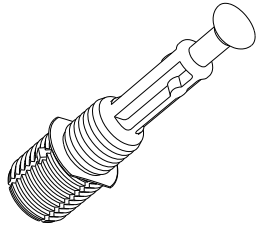




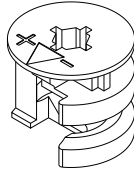
A04



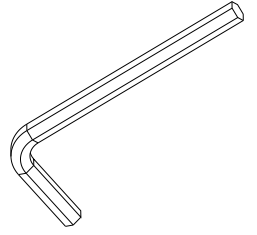
A23



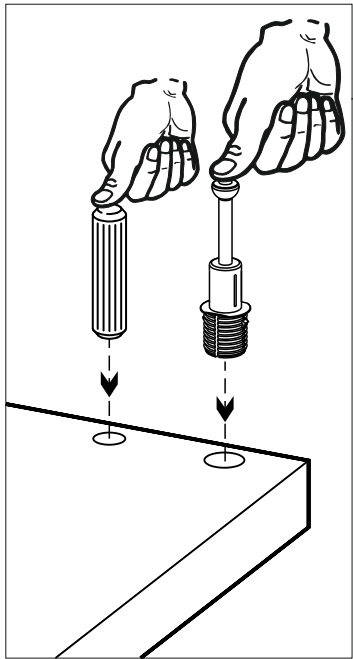
A22



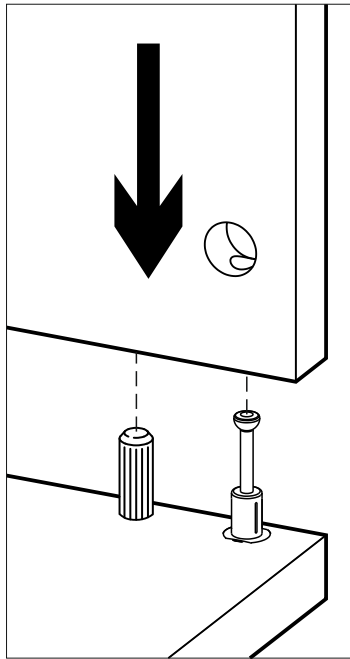
A12



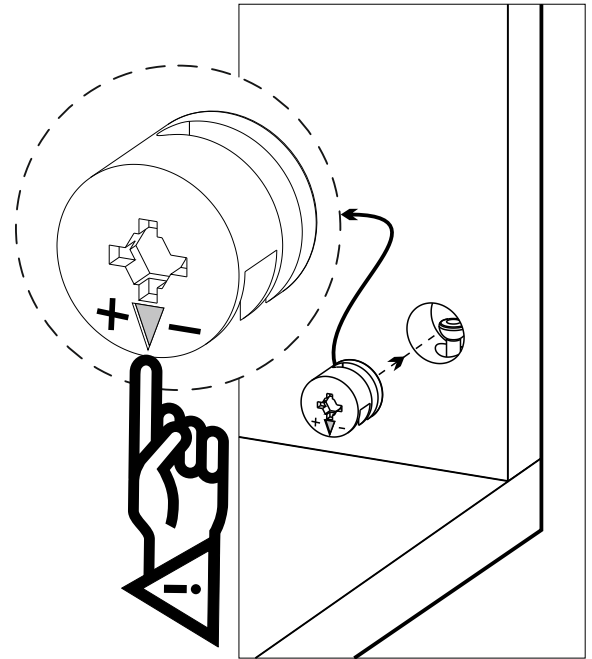
1



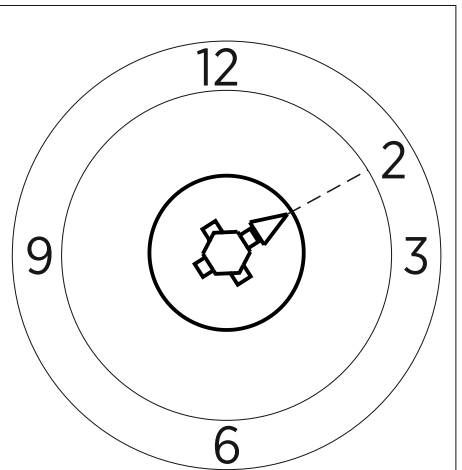
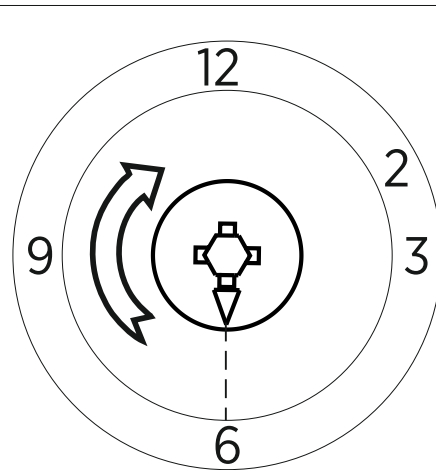
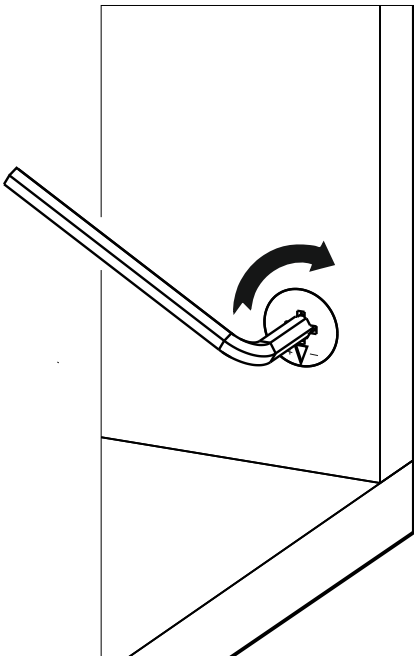
2



3



4

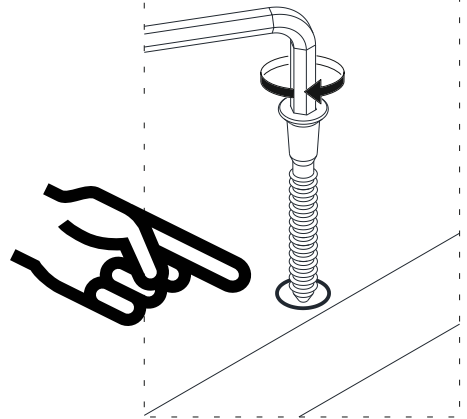
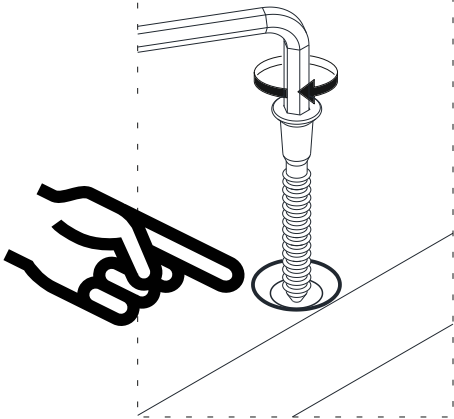


A13



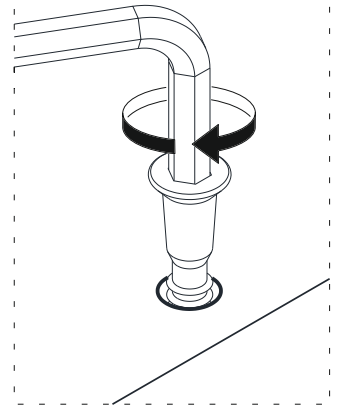
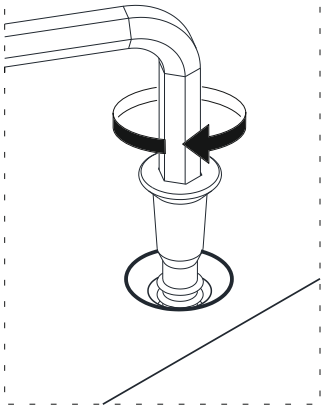
1

1



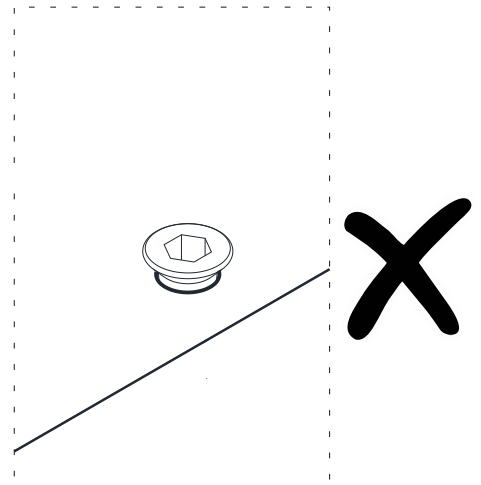
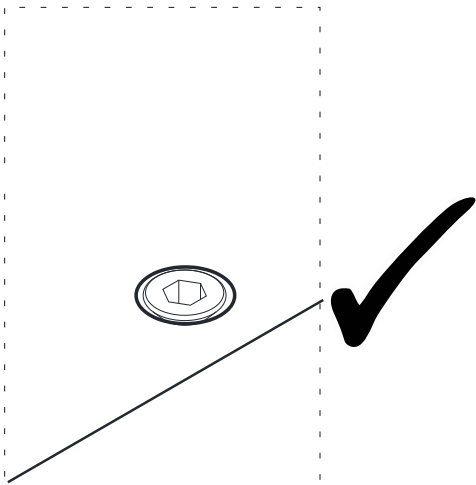
2

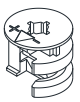

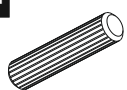




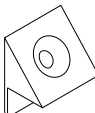
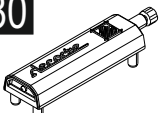
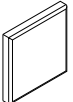
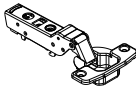
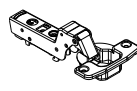

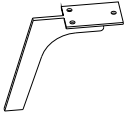

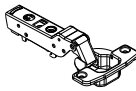
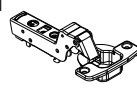
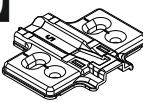
2

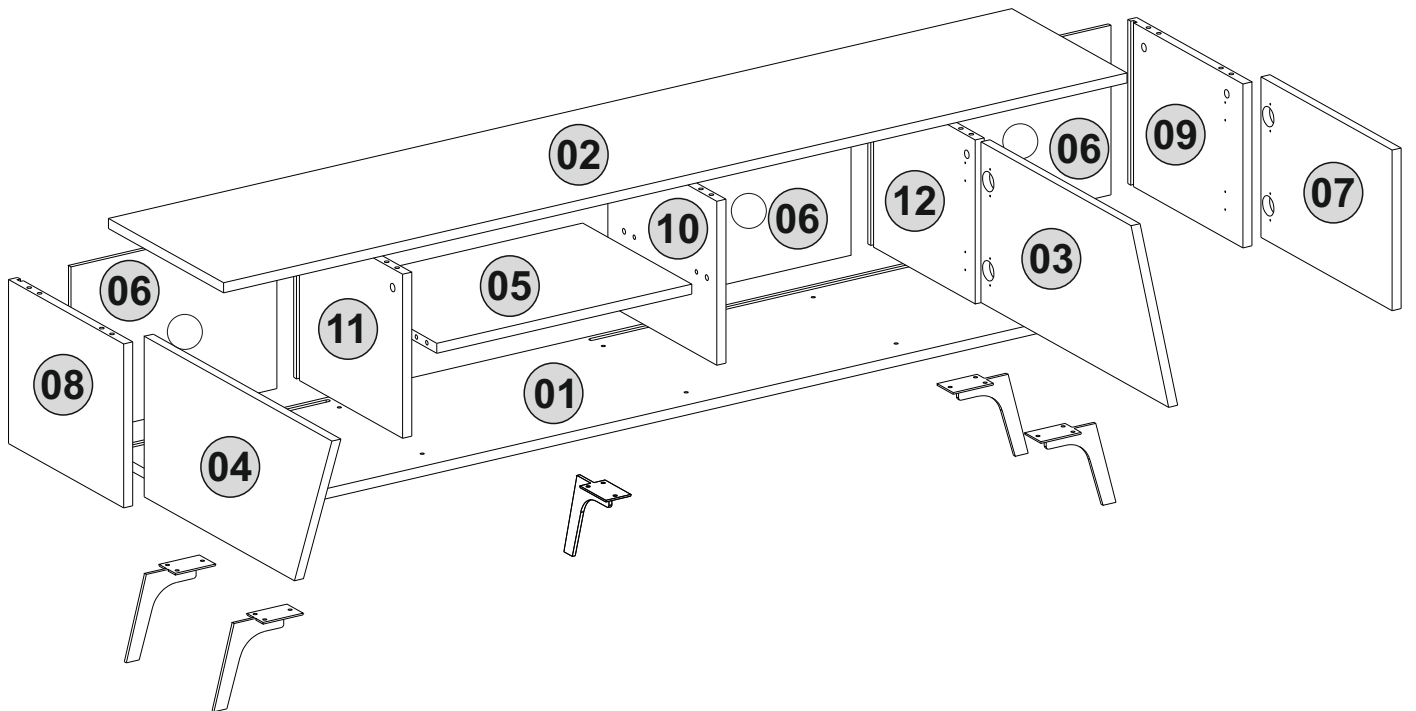


3

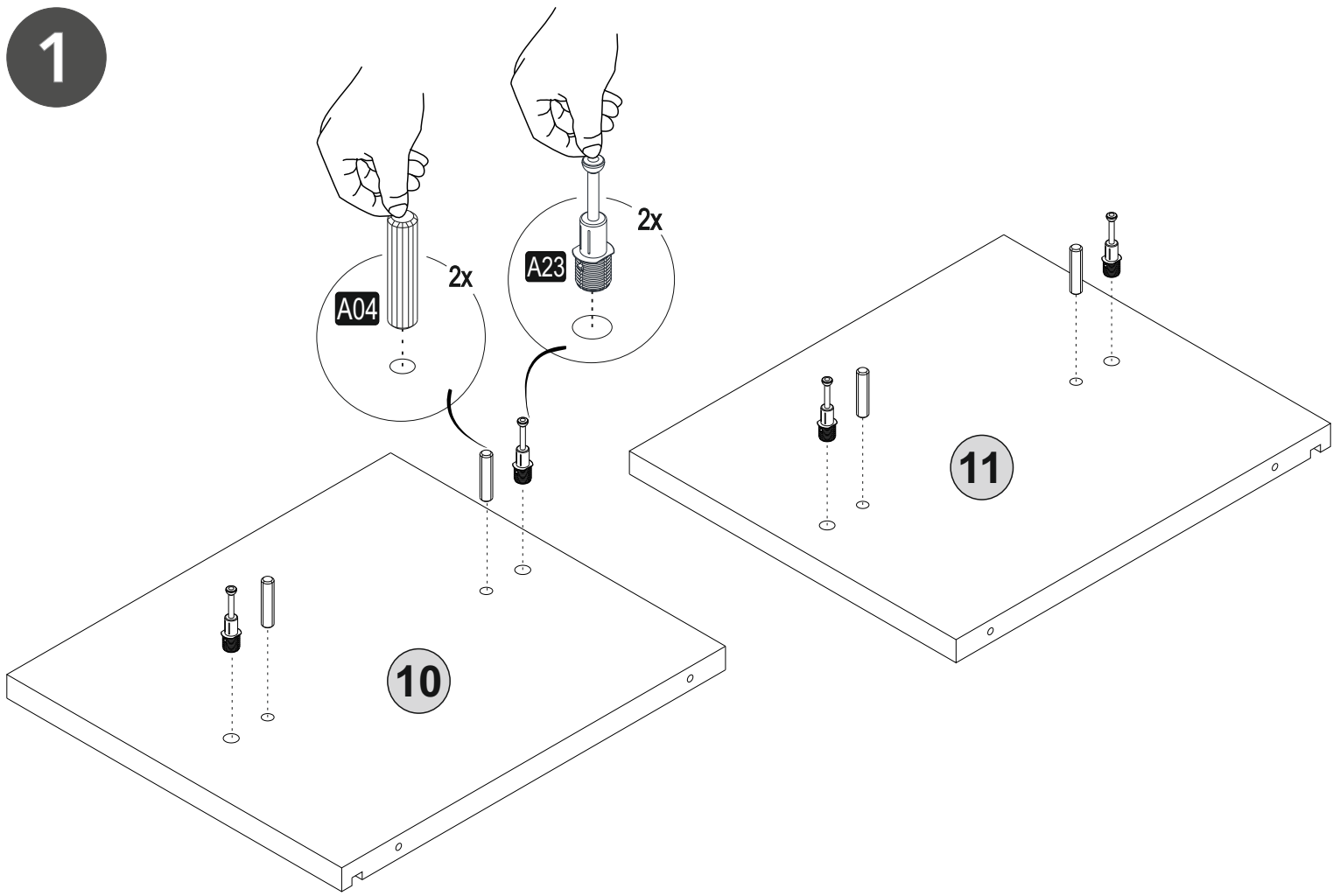
3



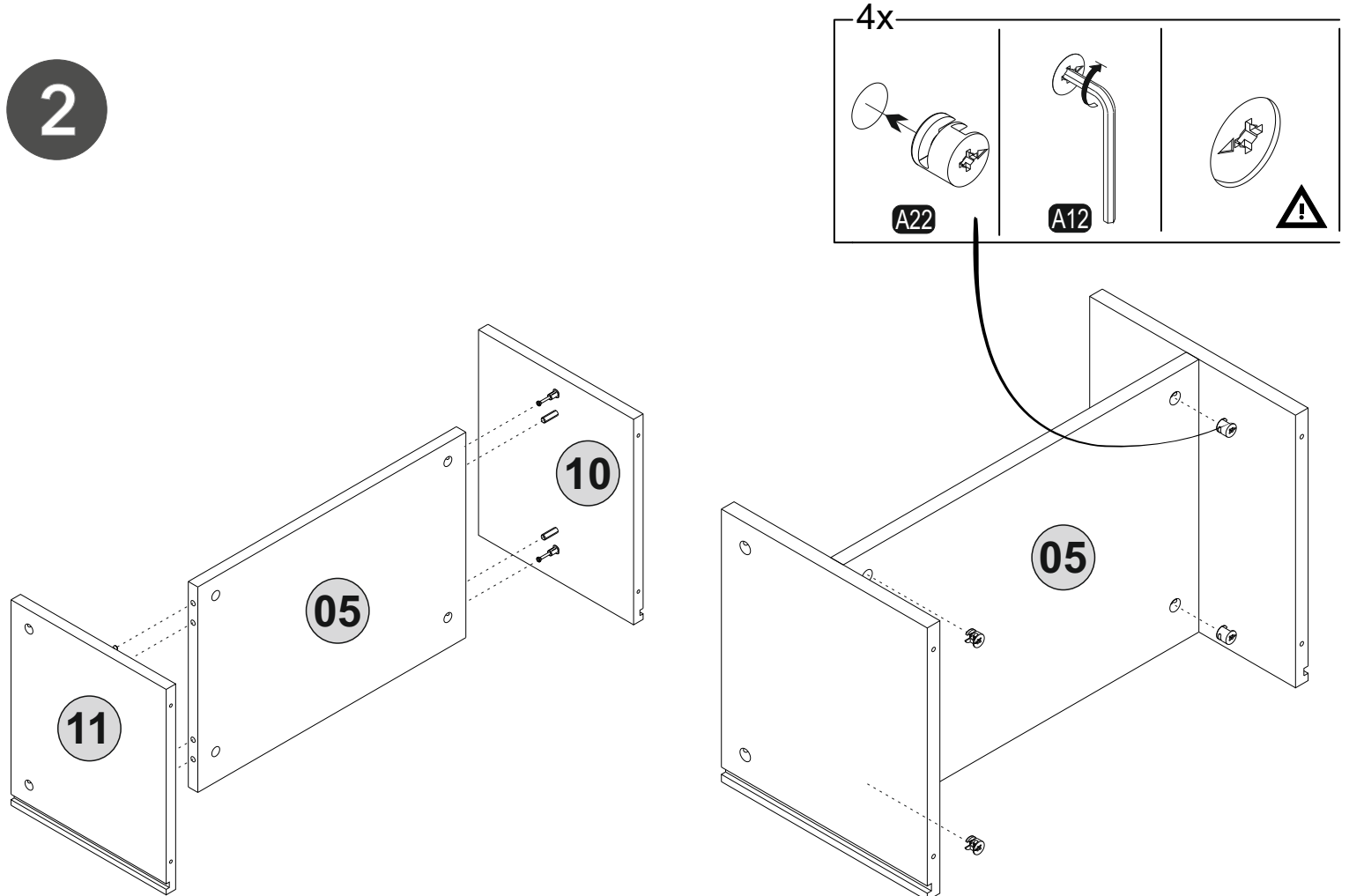
A22  14x 14x	A23  14x 14x	A04  14x 14x	A12  1x 1x	A06  18mm C1-24x
A13  10x 50mm	A18  48x 3,5x18	A25  12x	A80  1x	A82  1x
C18  1x	C19  2x	A69  15x	Z72  5x	B15  15x
C15  1x	C16  2x	C20  6x		



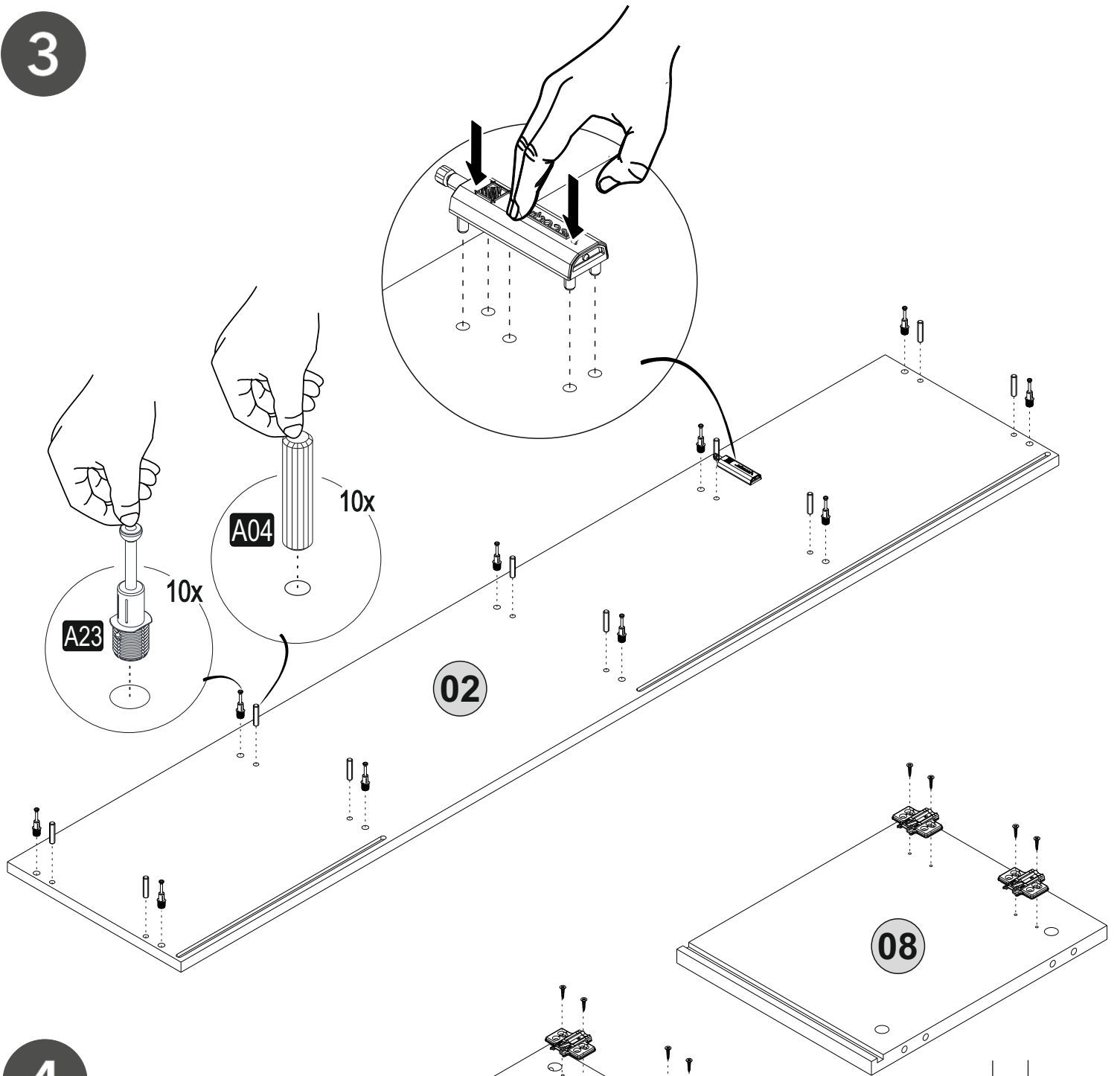
1



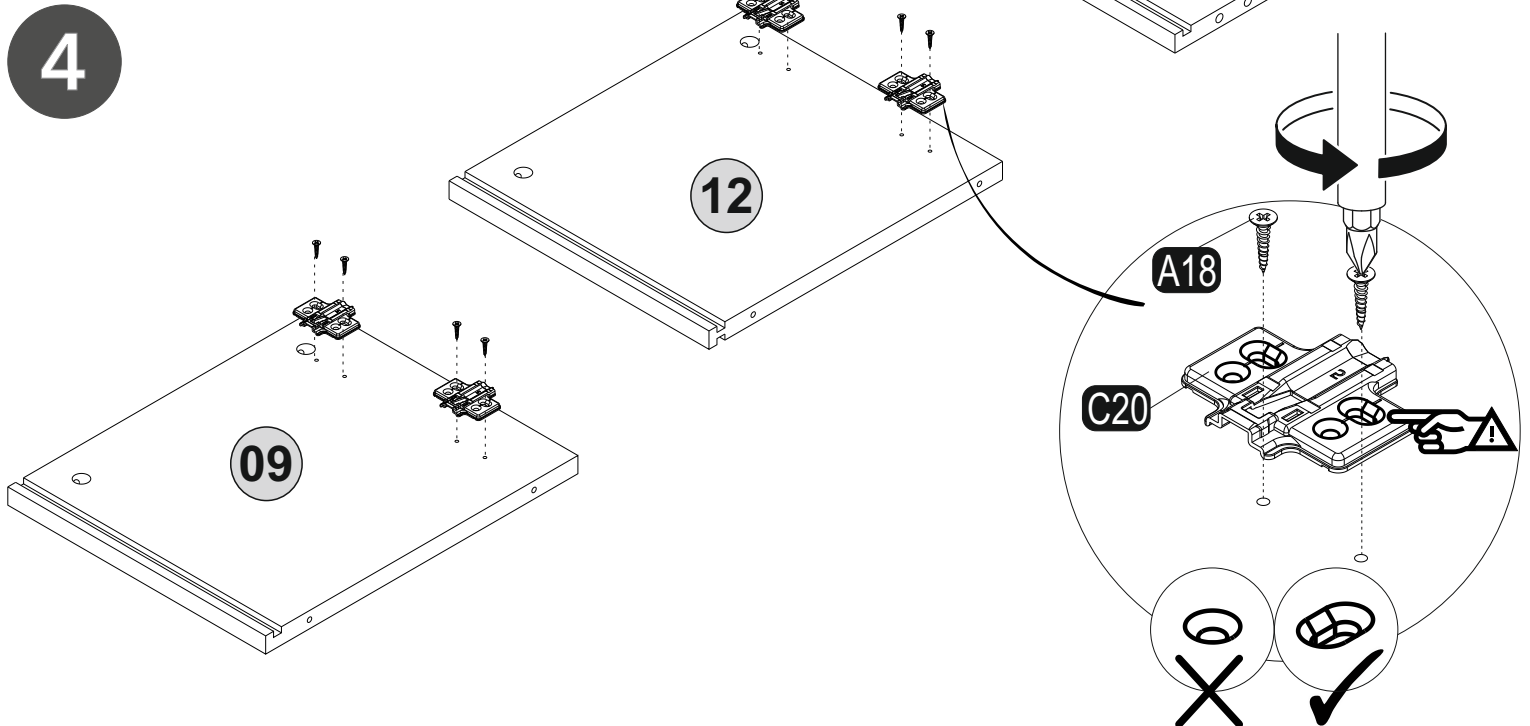
2



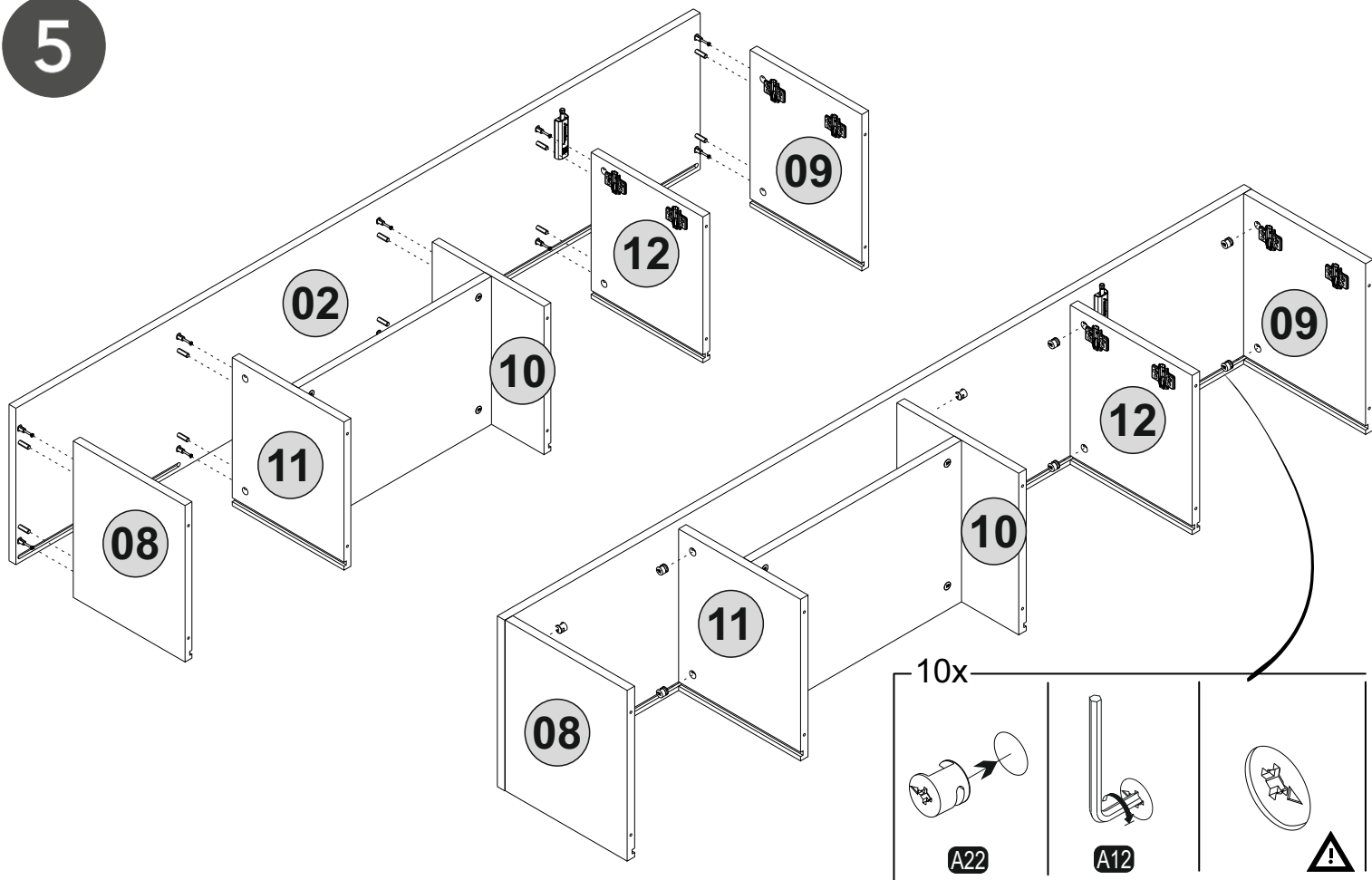
3



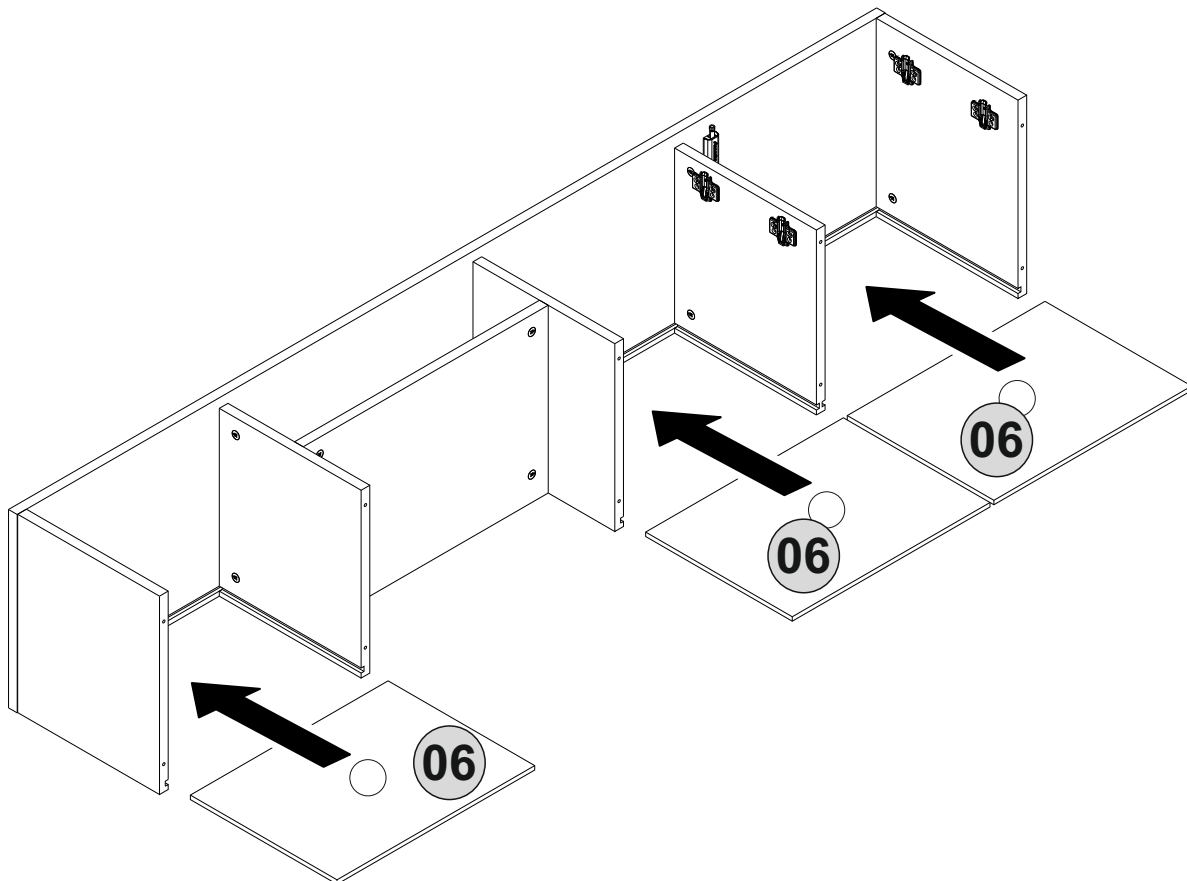
4



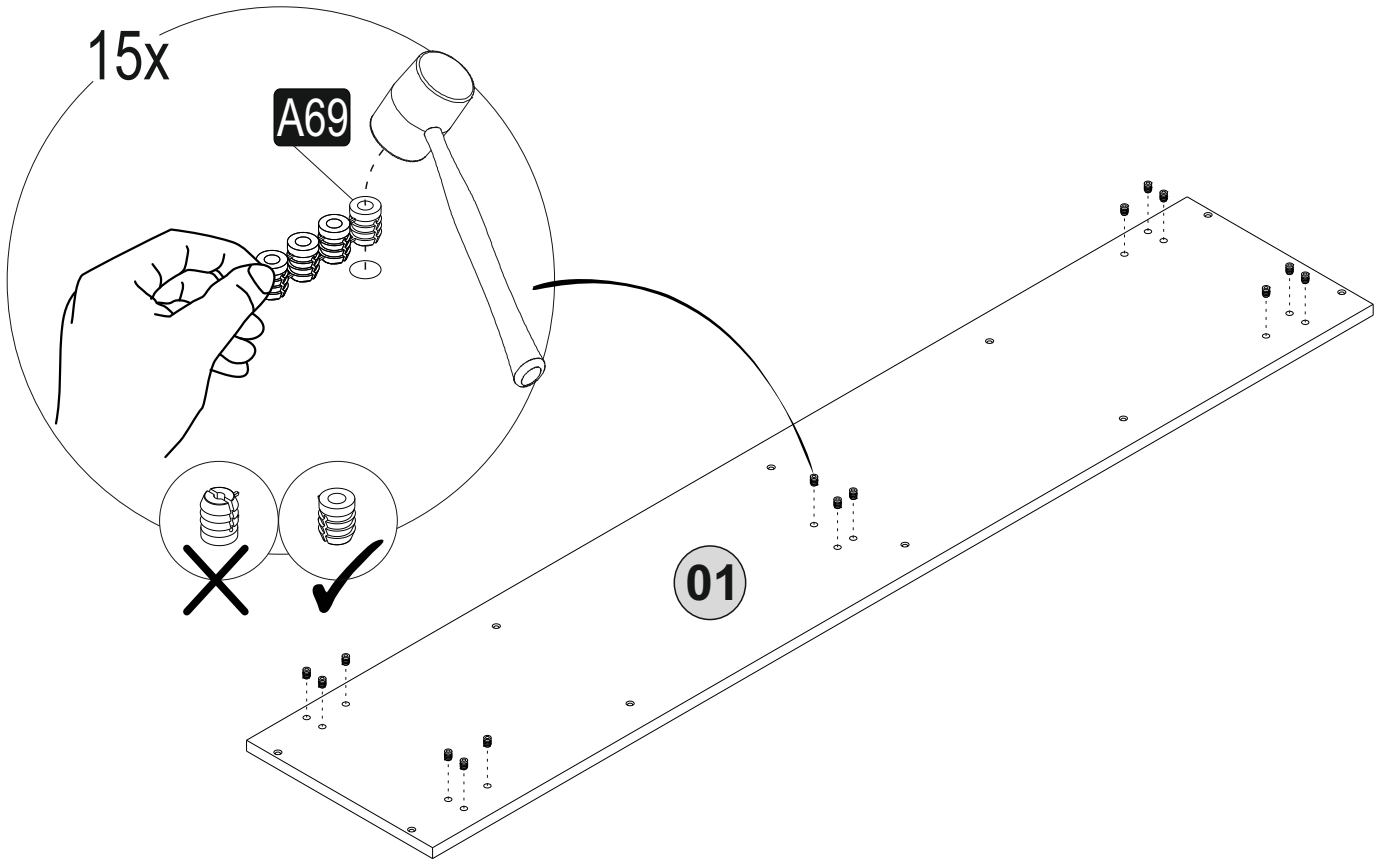
5



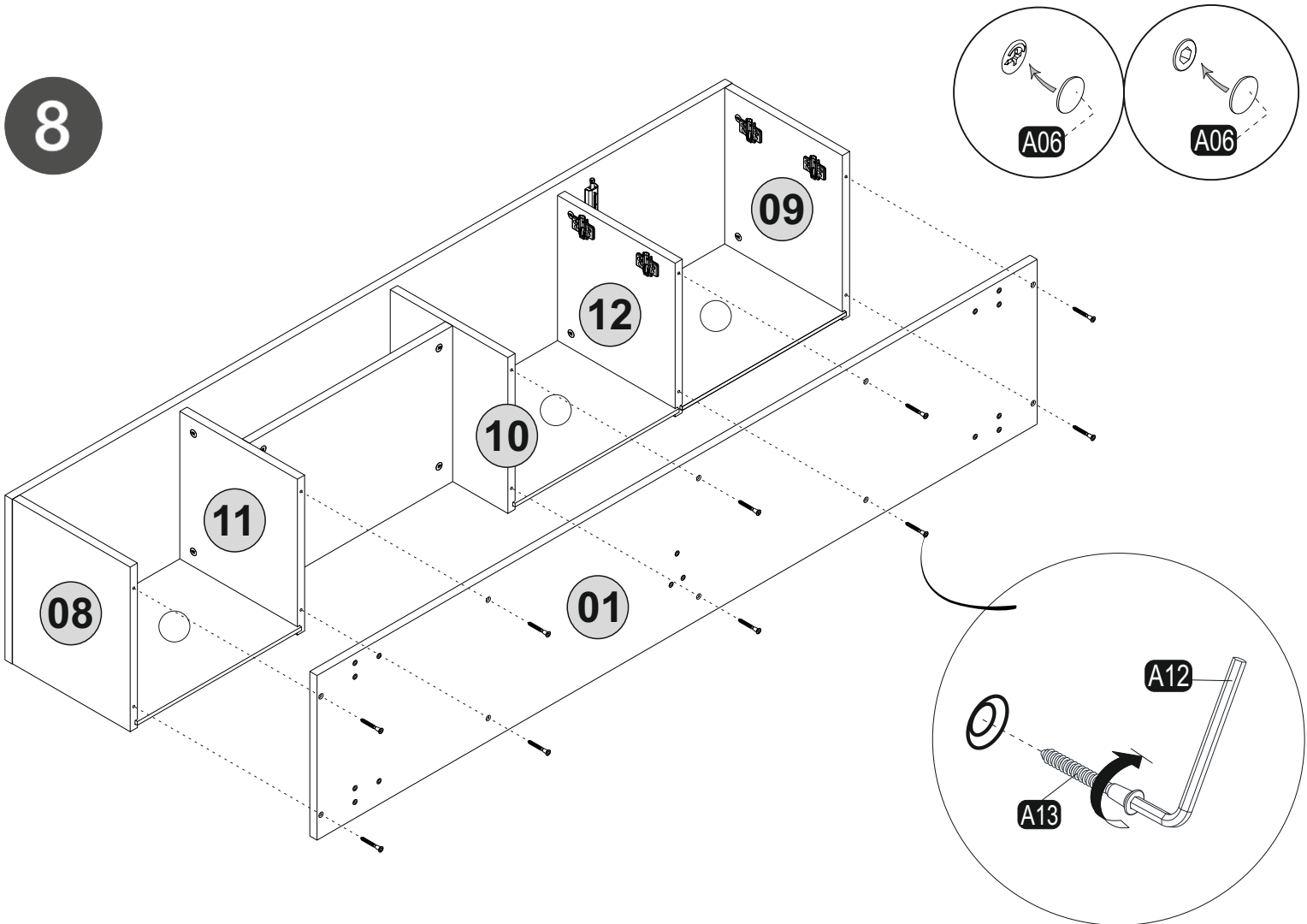
6



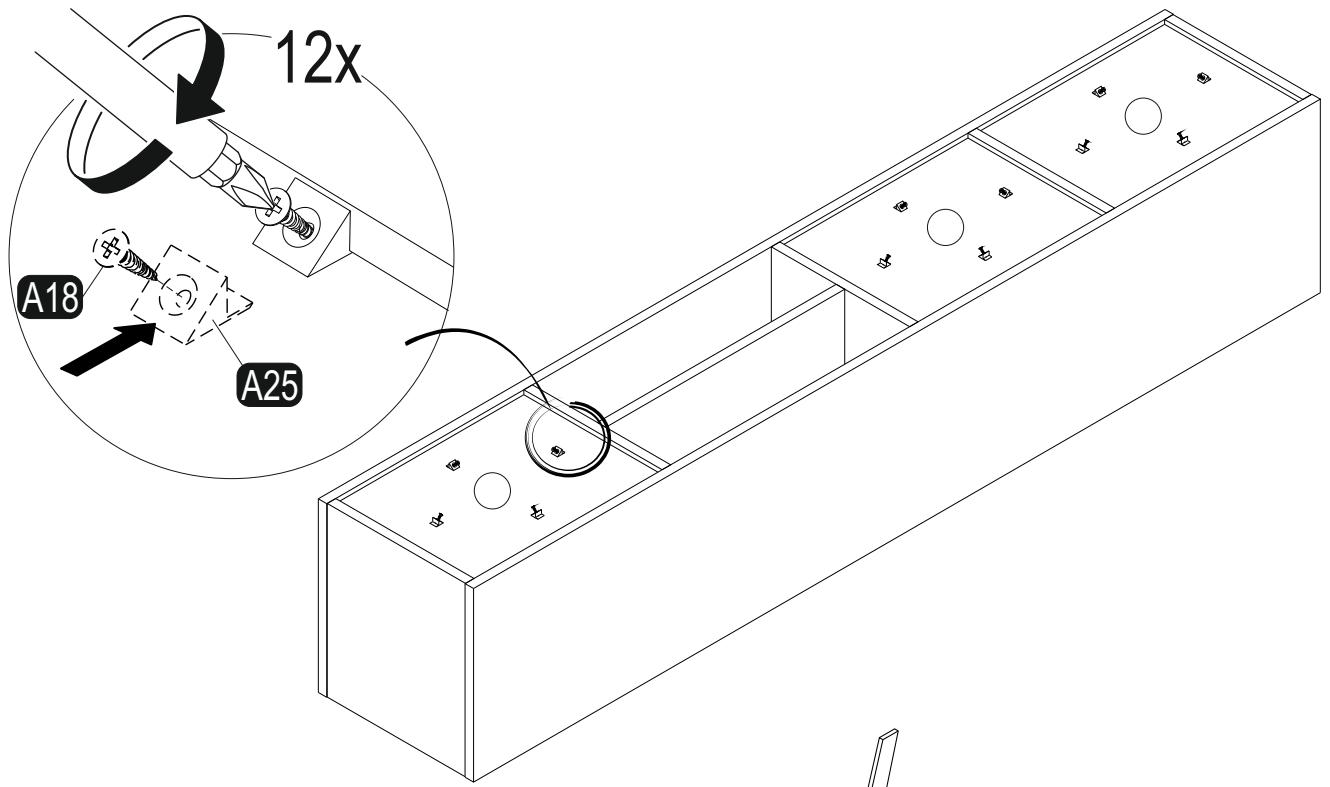
7



8



9



10

