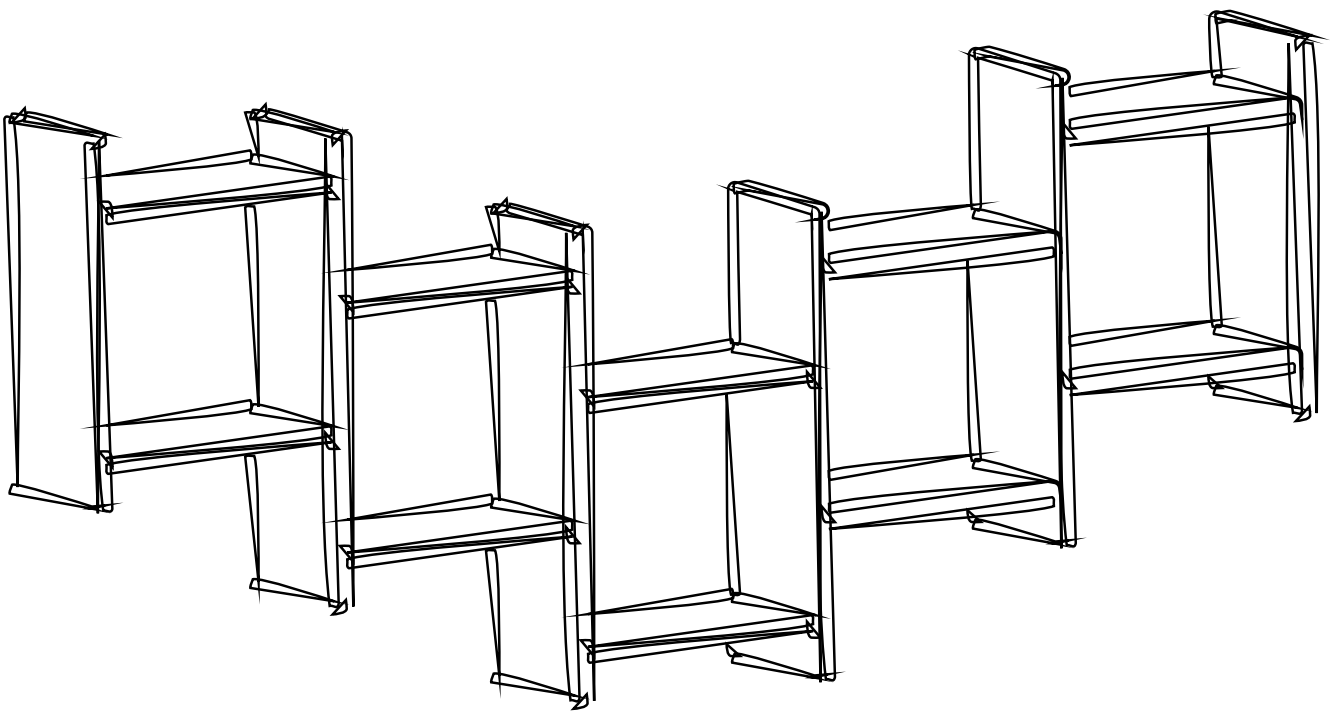
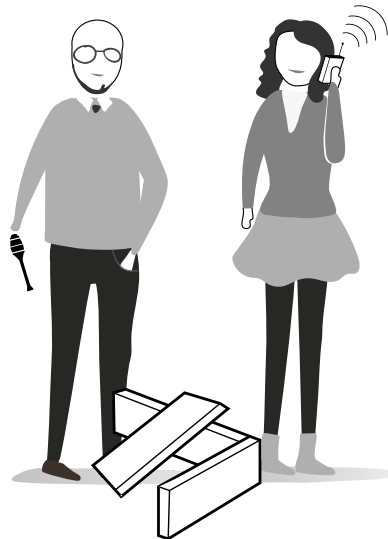
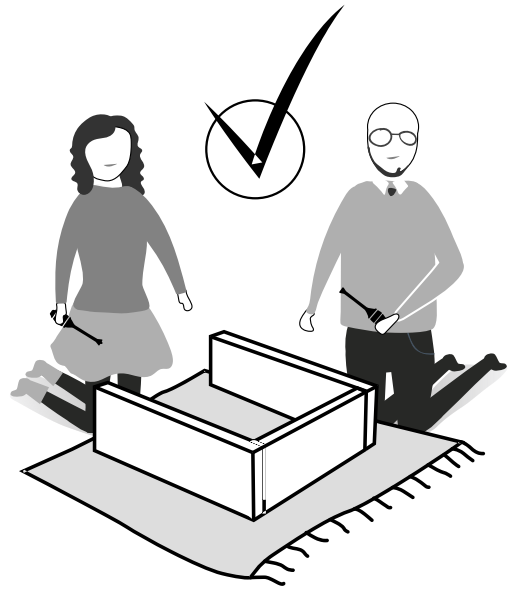
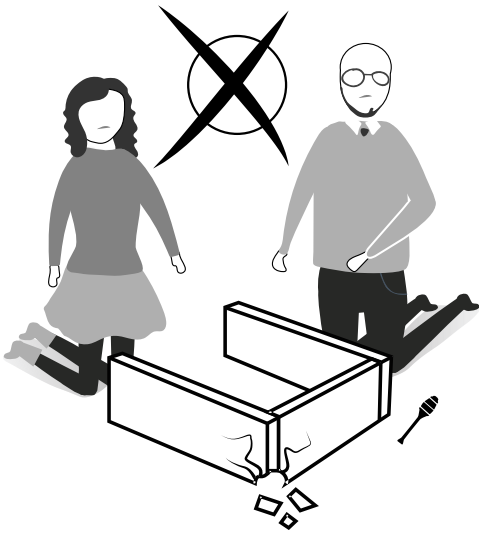
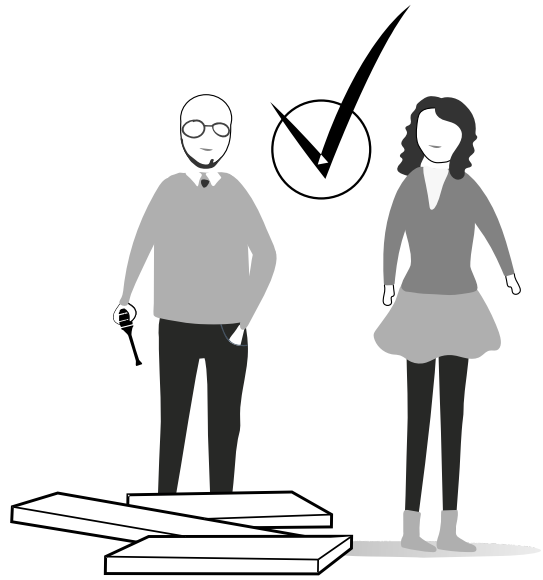
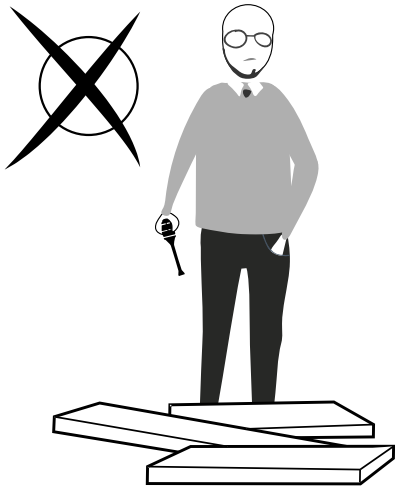



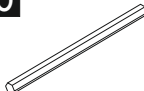
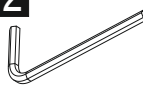
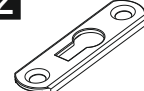

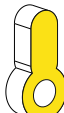

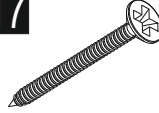

# SKY

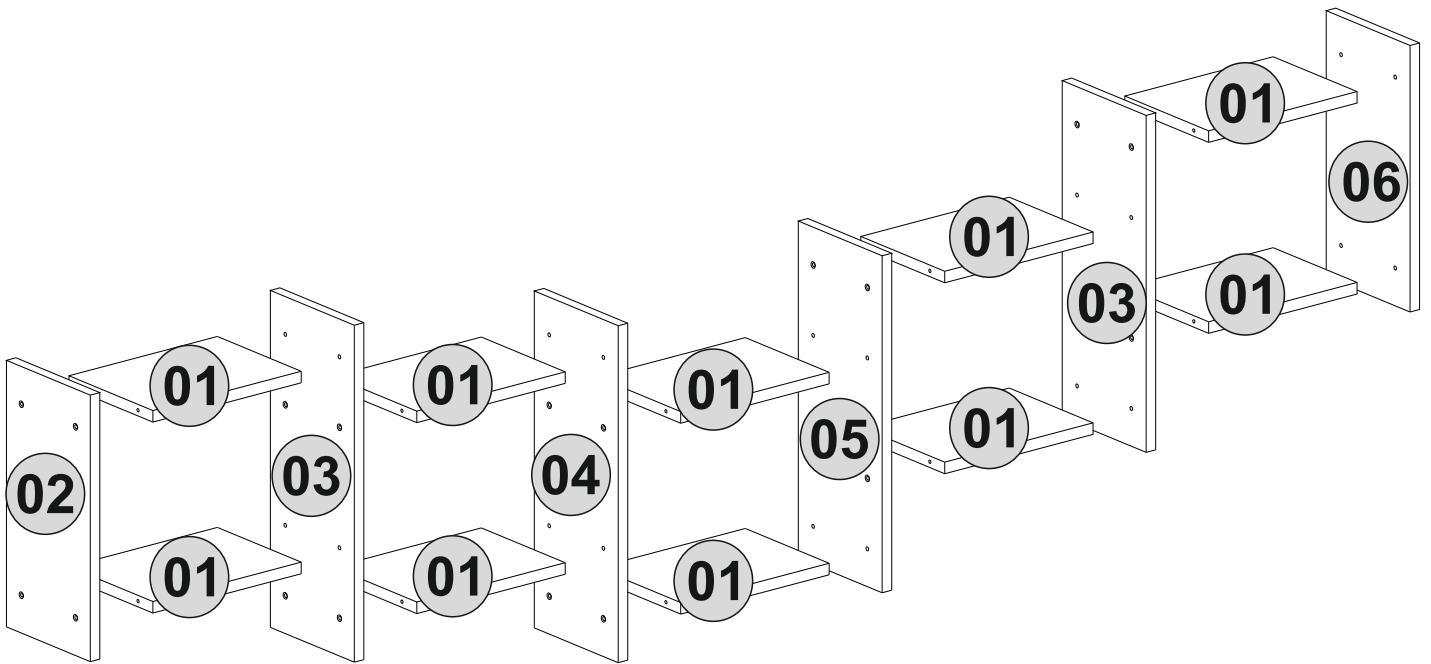
141341



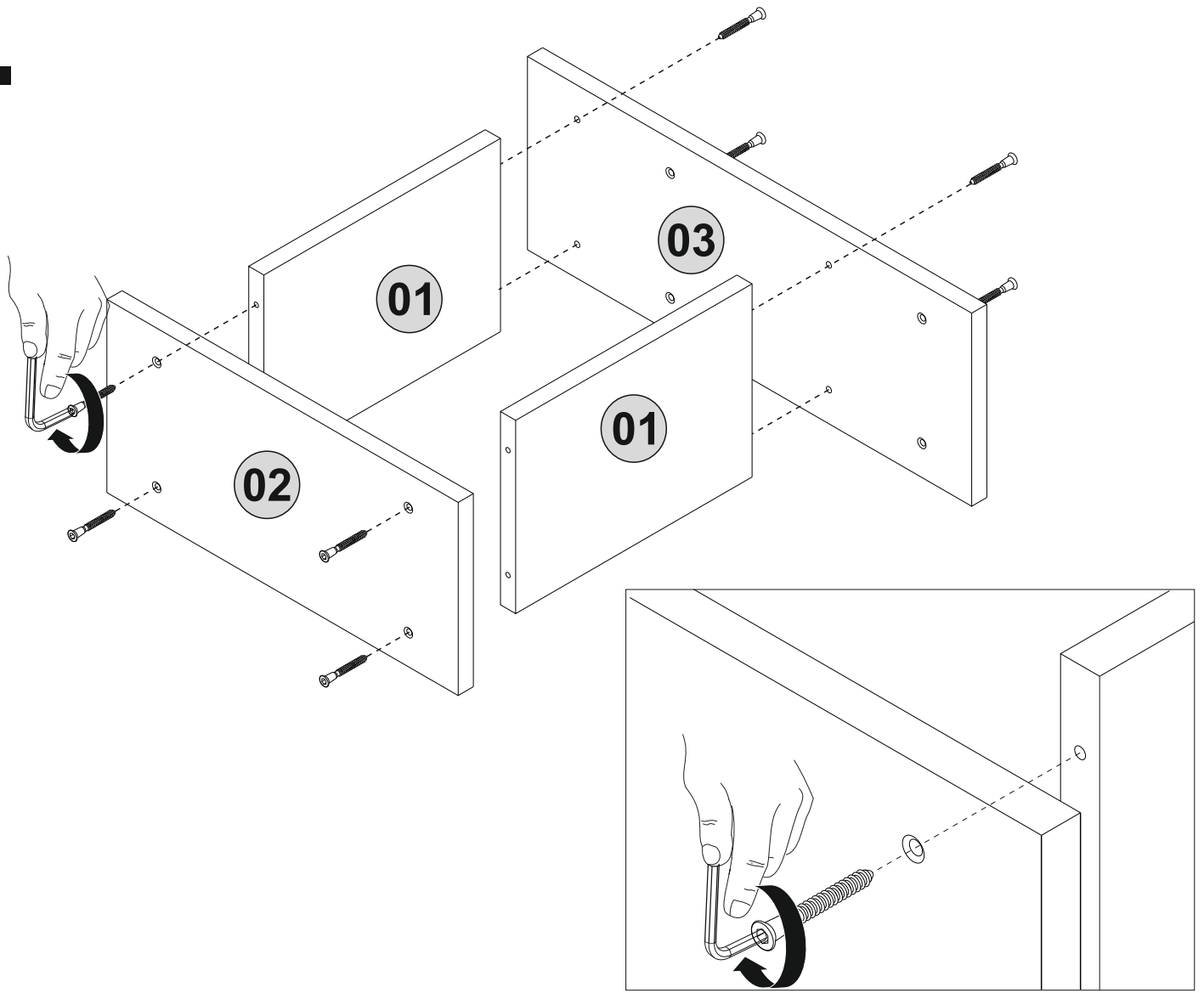




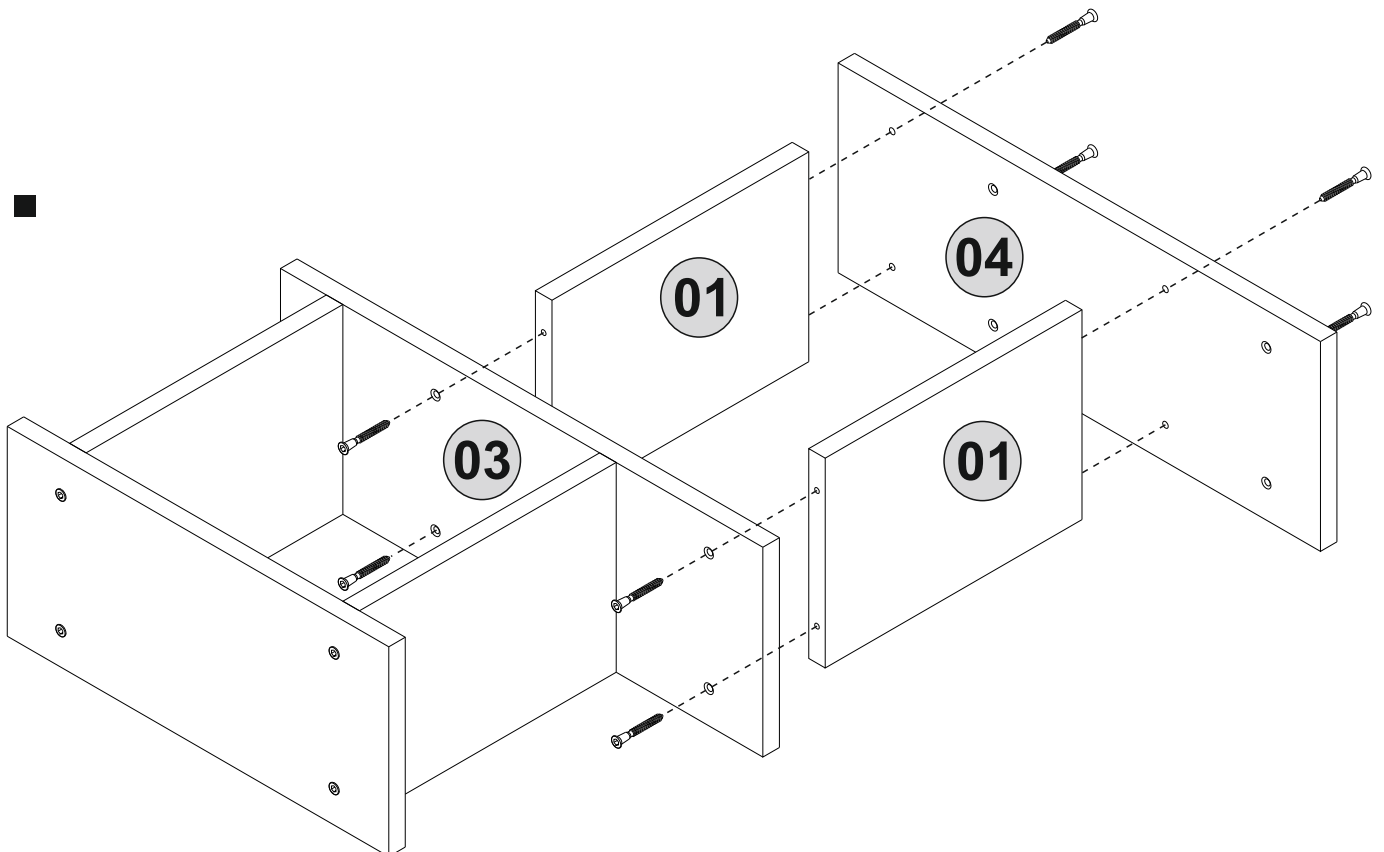
<b>A13</b> 50mm  40x	<b>A26</b>  1x	<b>A12</b> 4 SW  1x	<b>A32</b> 60/16  4x	<b>A11</b> 3,5x30  8x
<b>Z18</b> 	<b>A16</b> 	<b>A17</b> 4x50  4x	<b>A06</b> 18mm  40x	



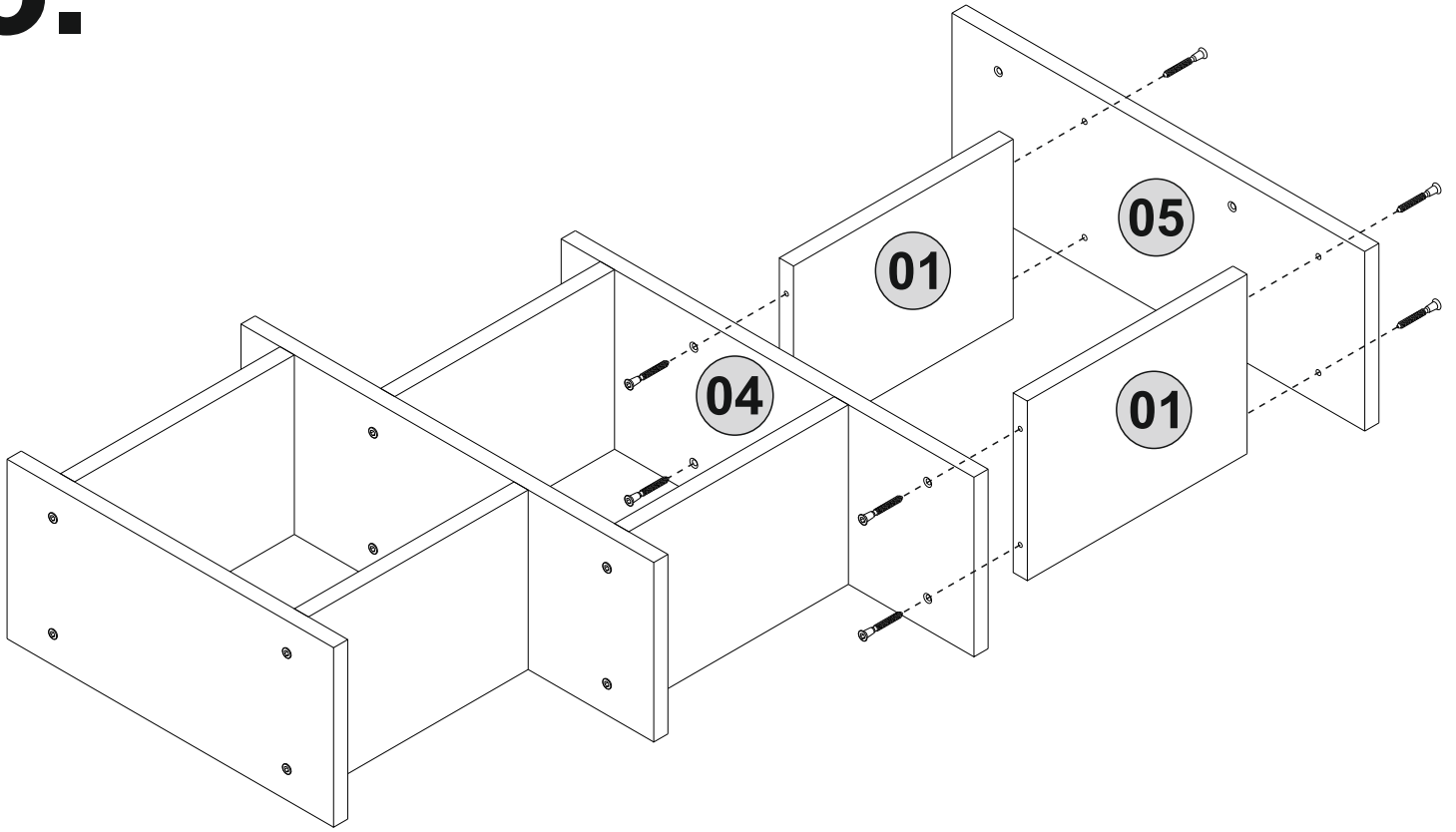
# 1.



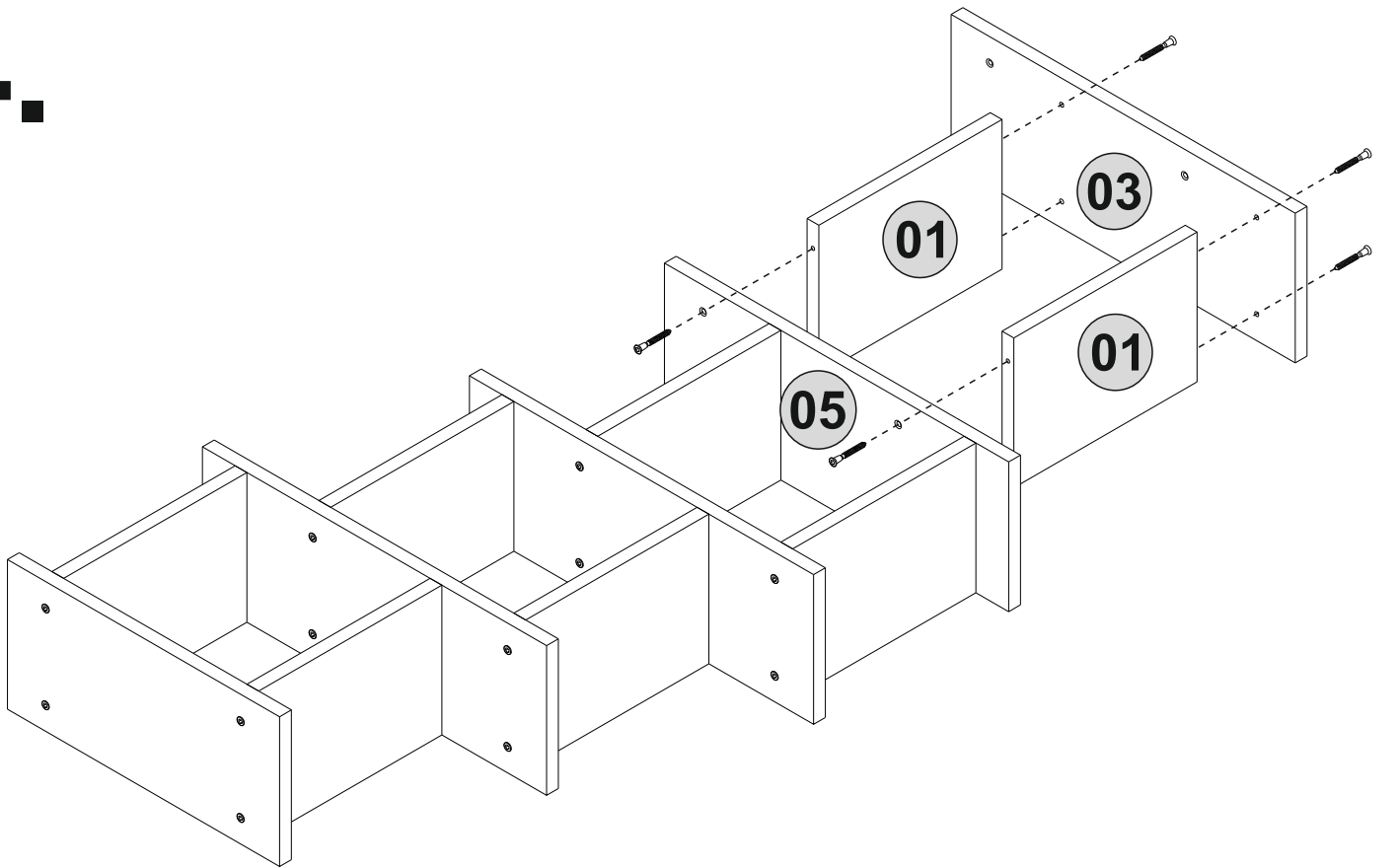
# 2.



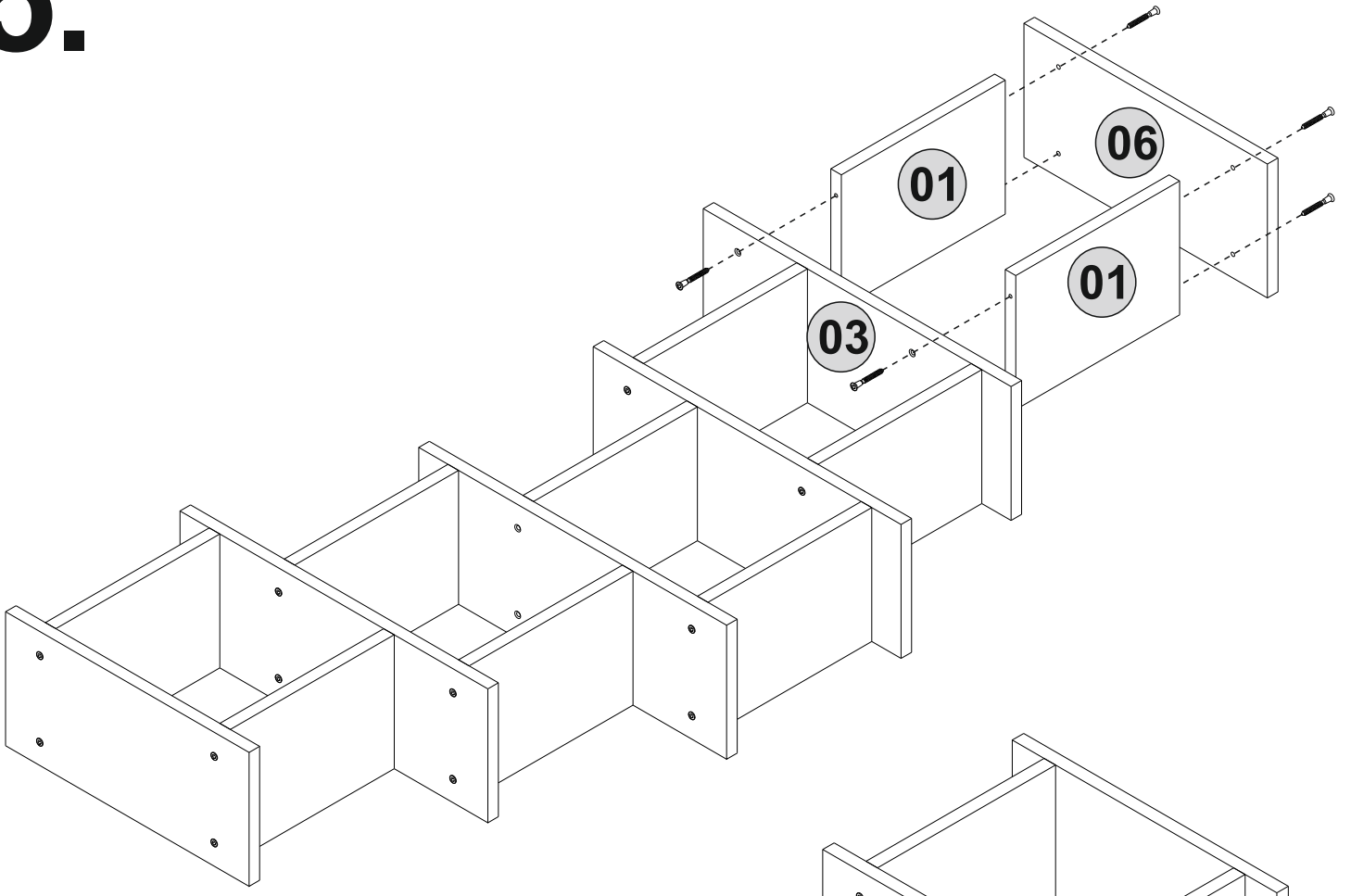
# 3.



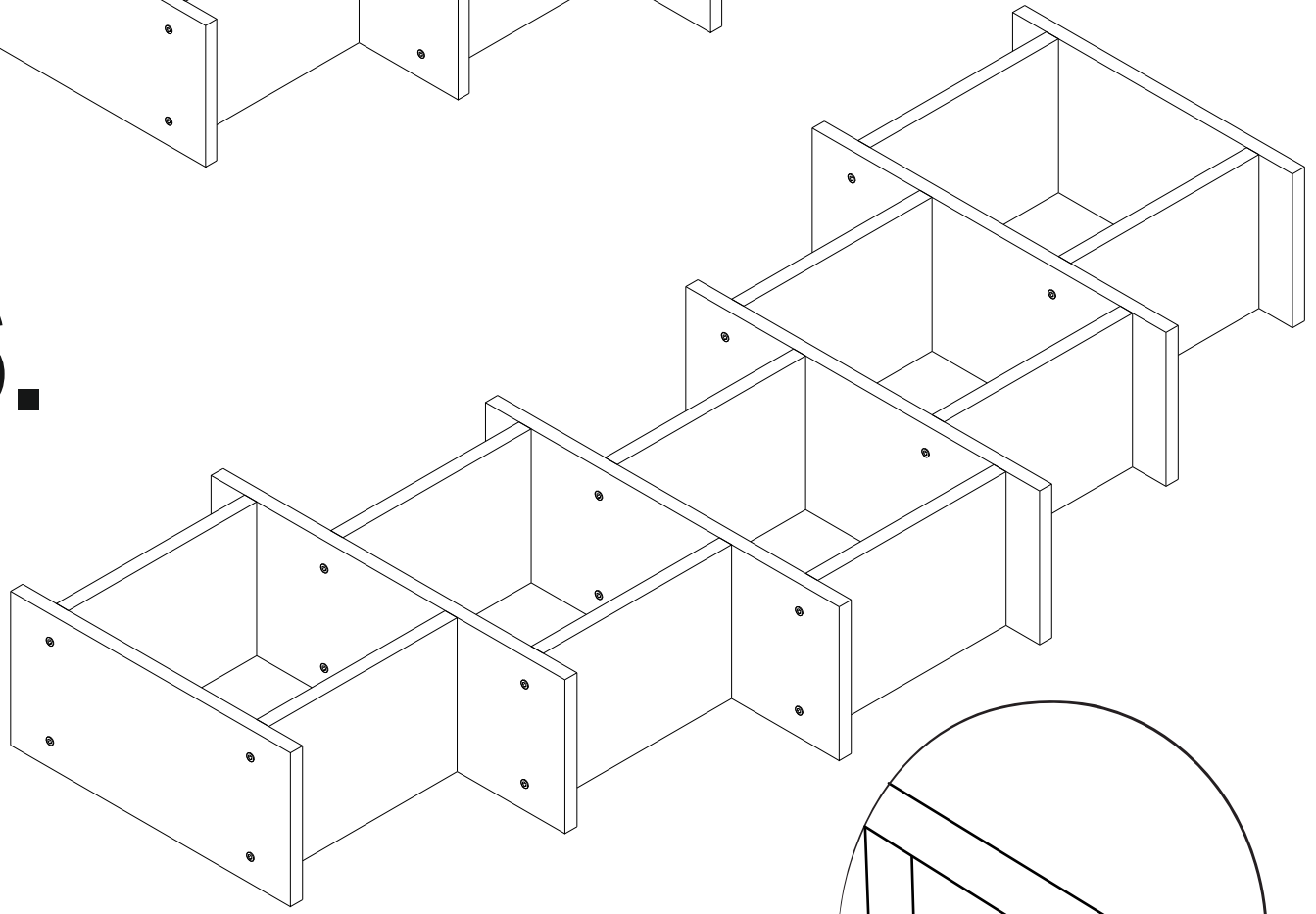
# 4.



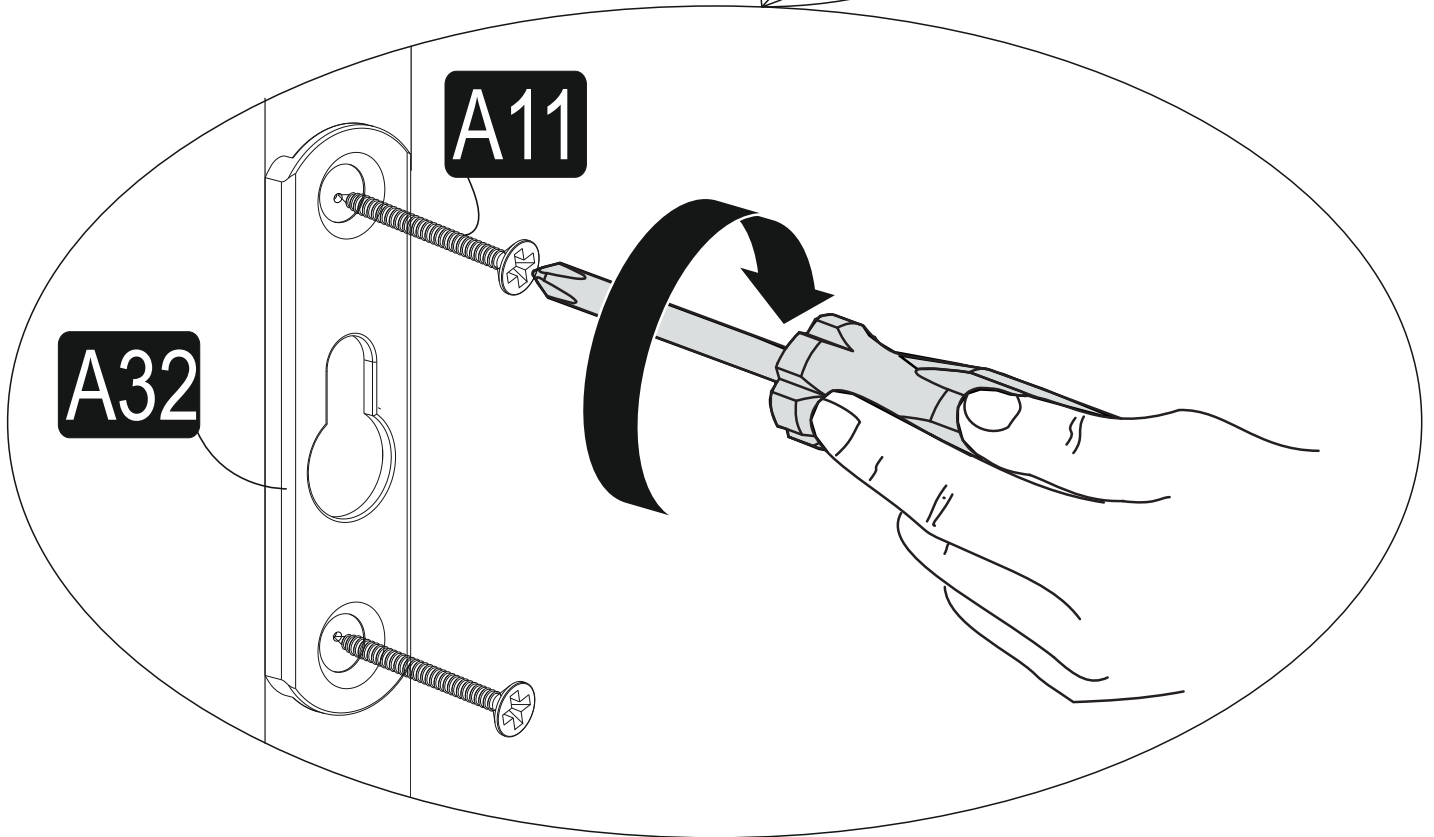
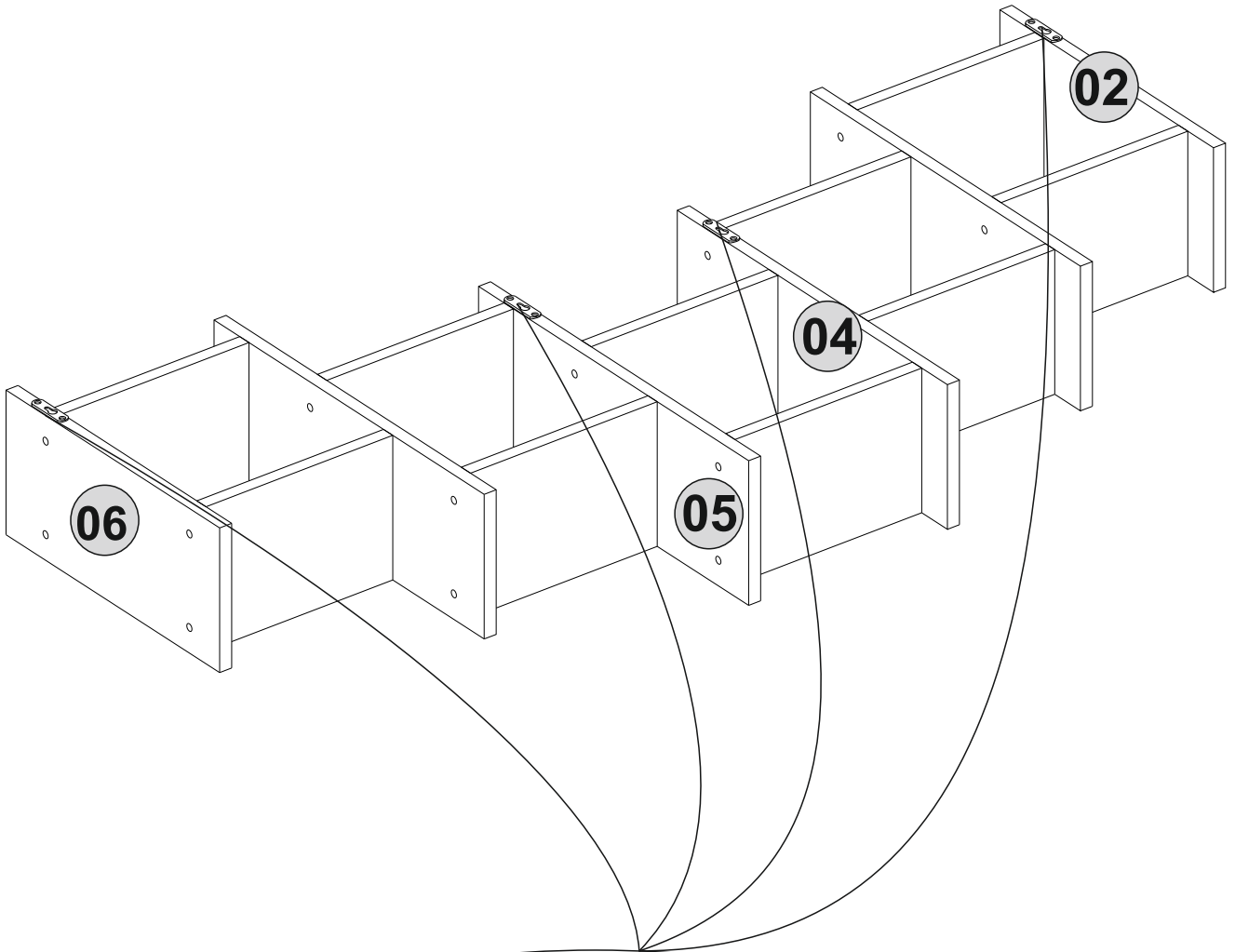
# 5.



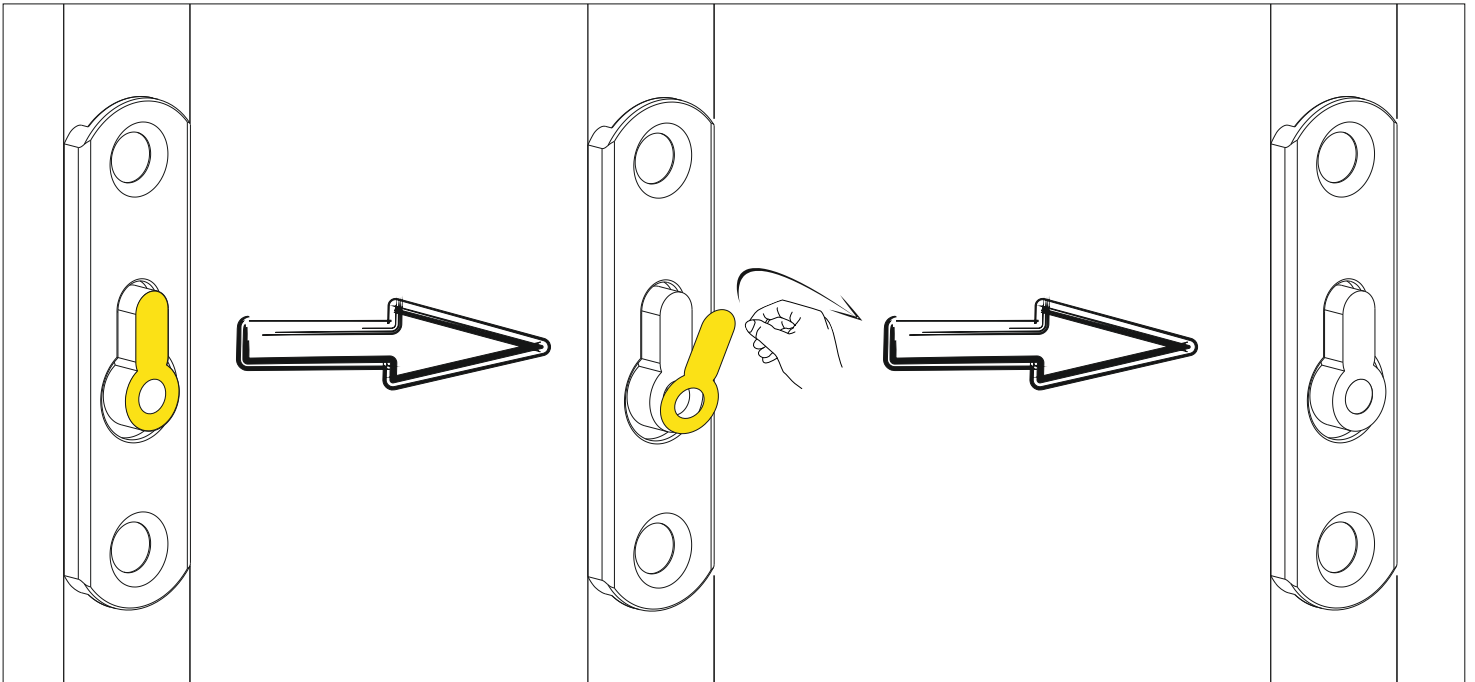
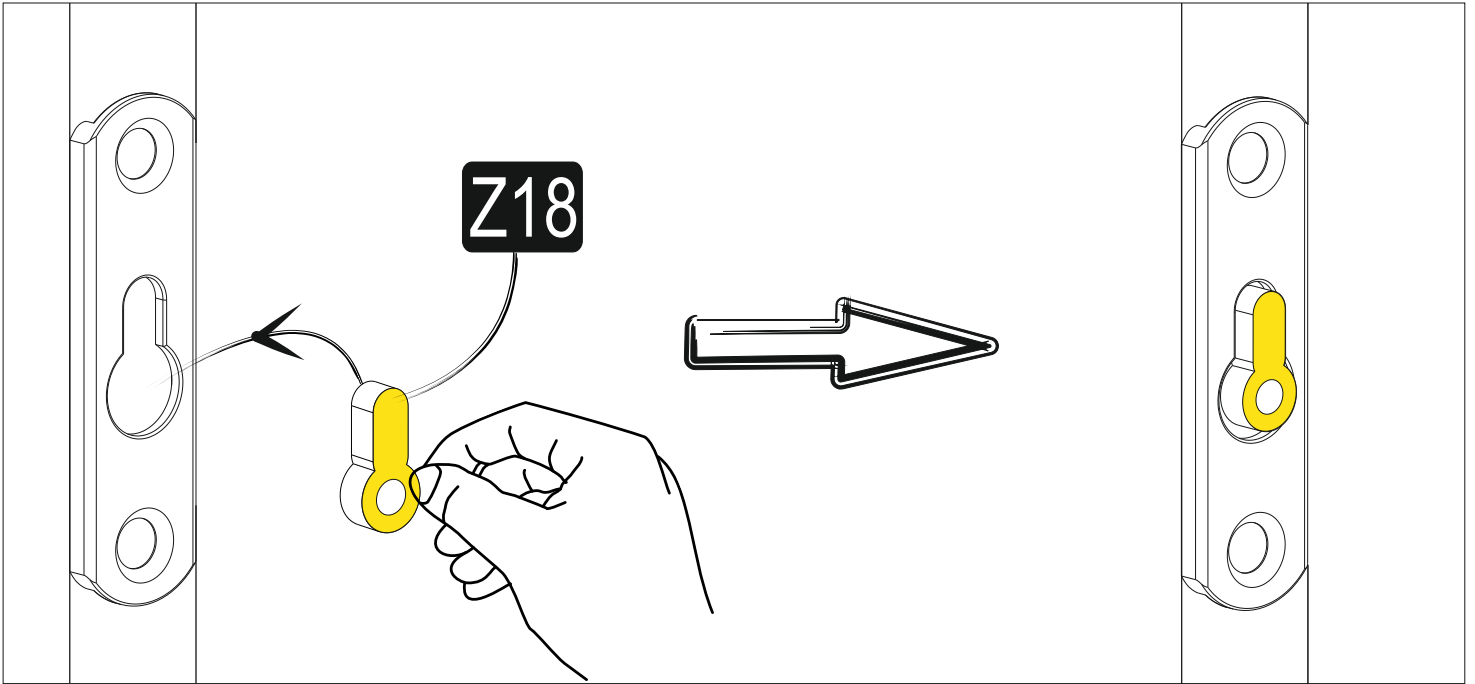
# 6.



# 7.

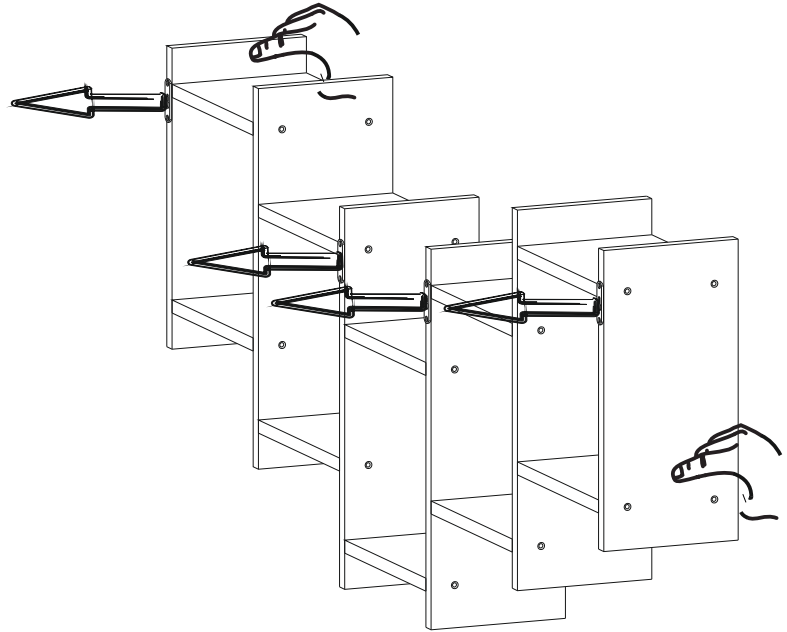
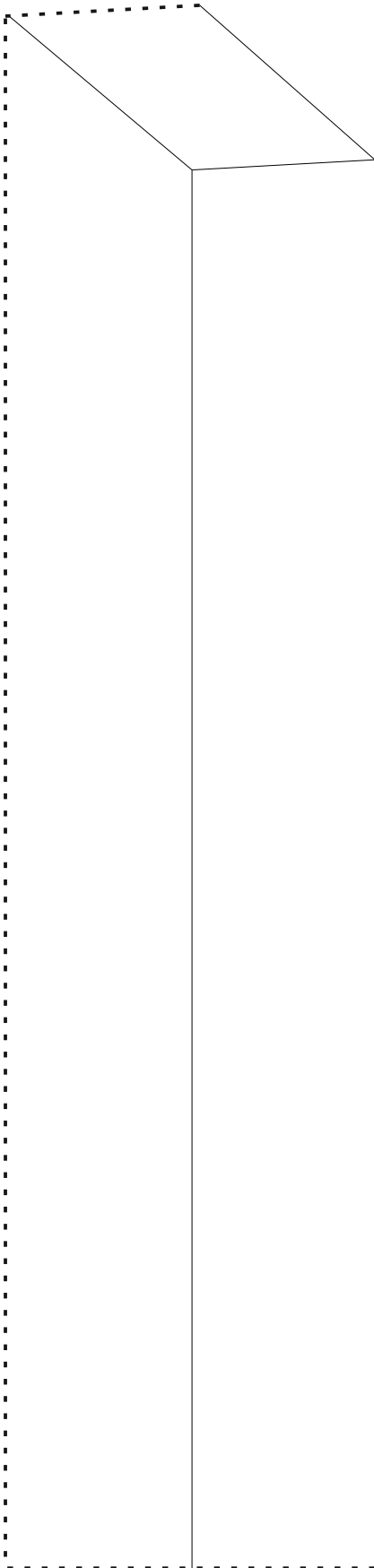
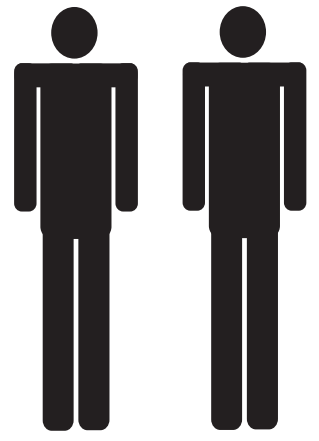


# 8.

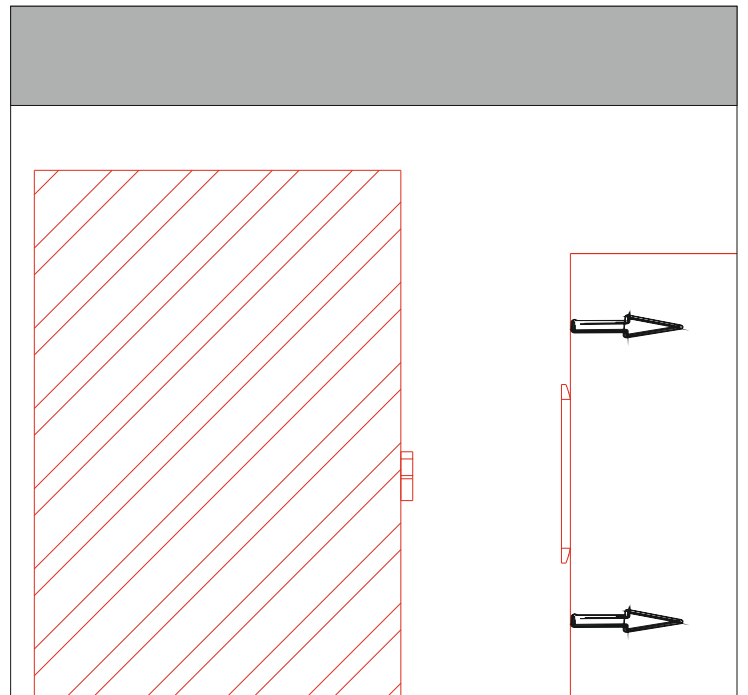
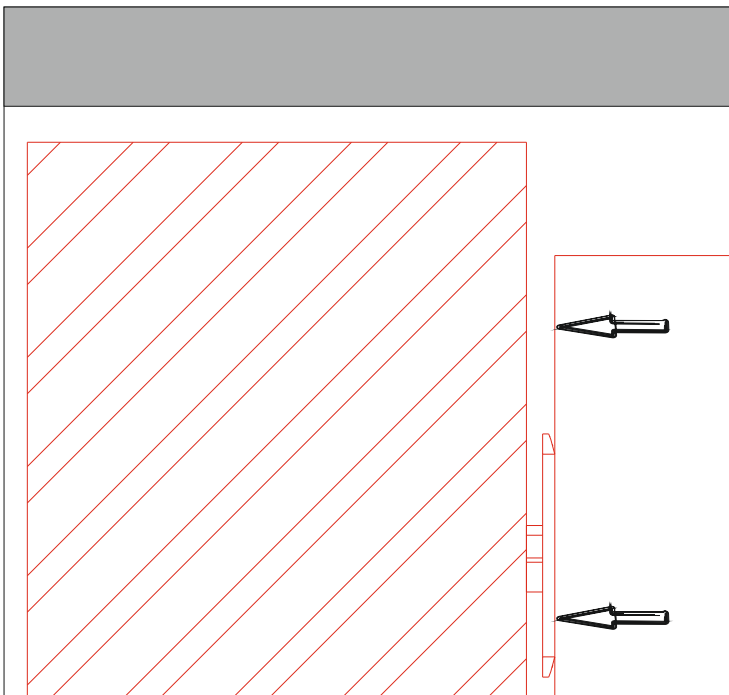
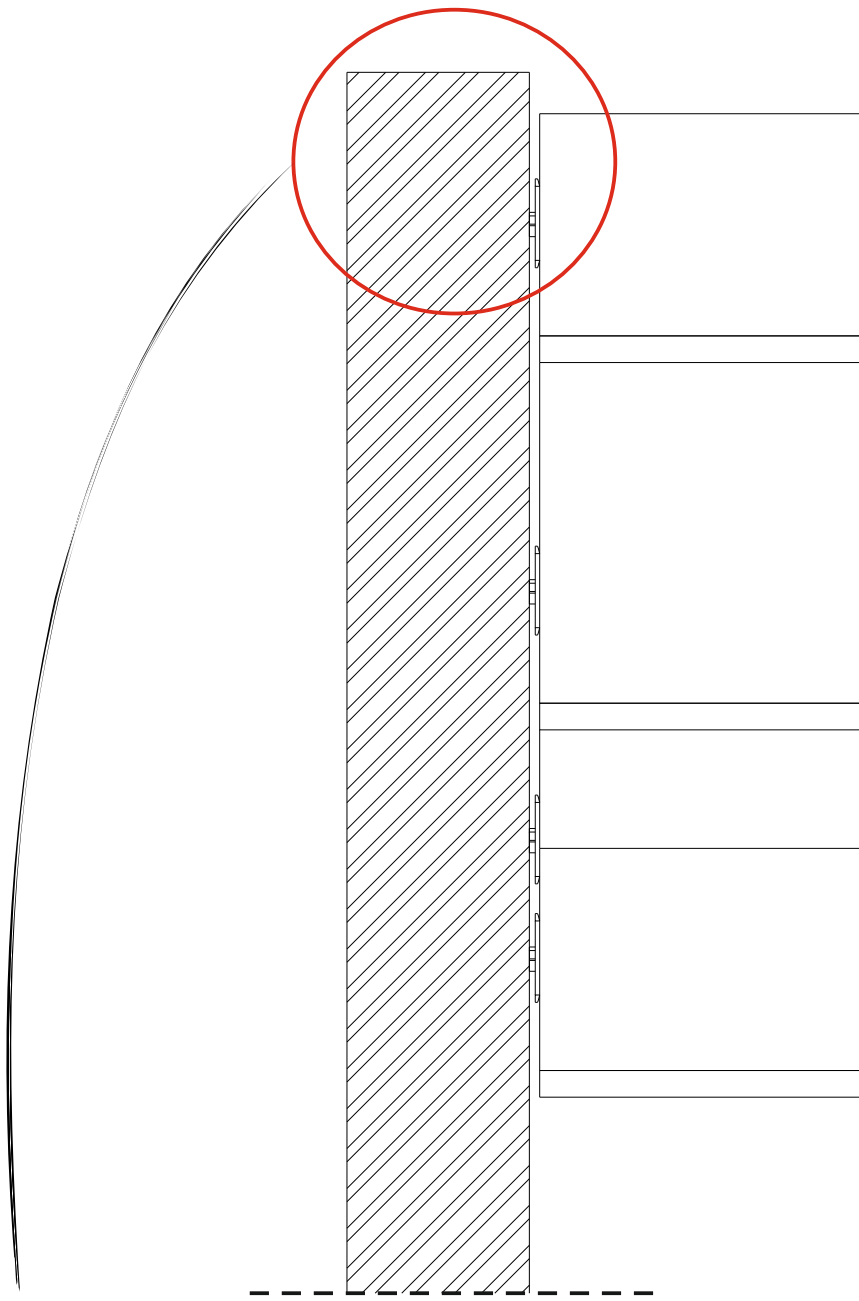




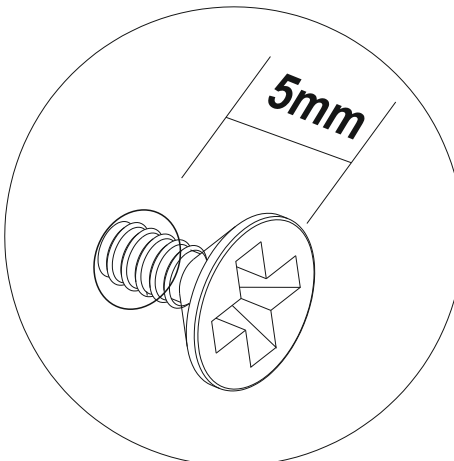
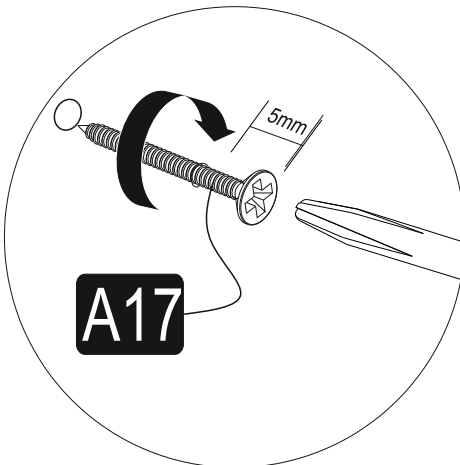
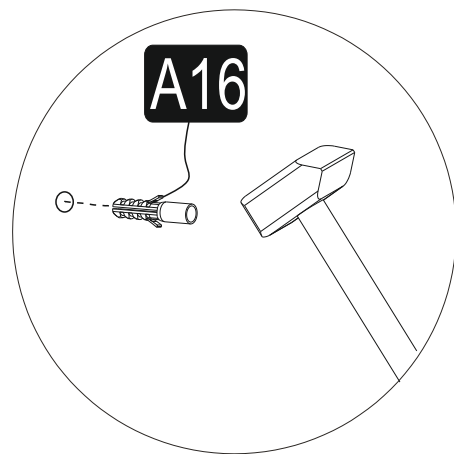
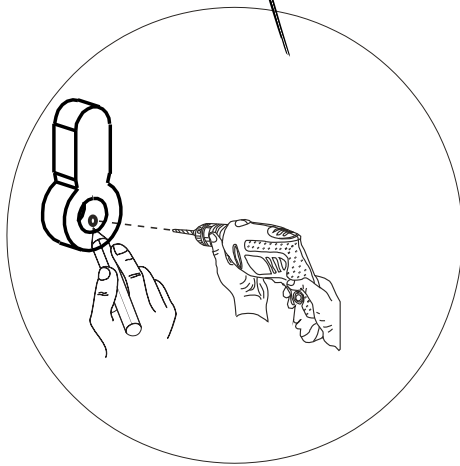
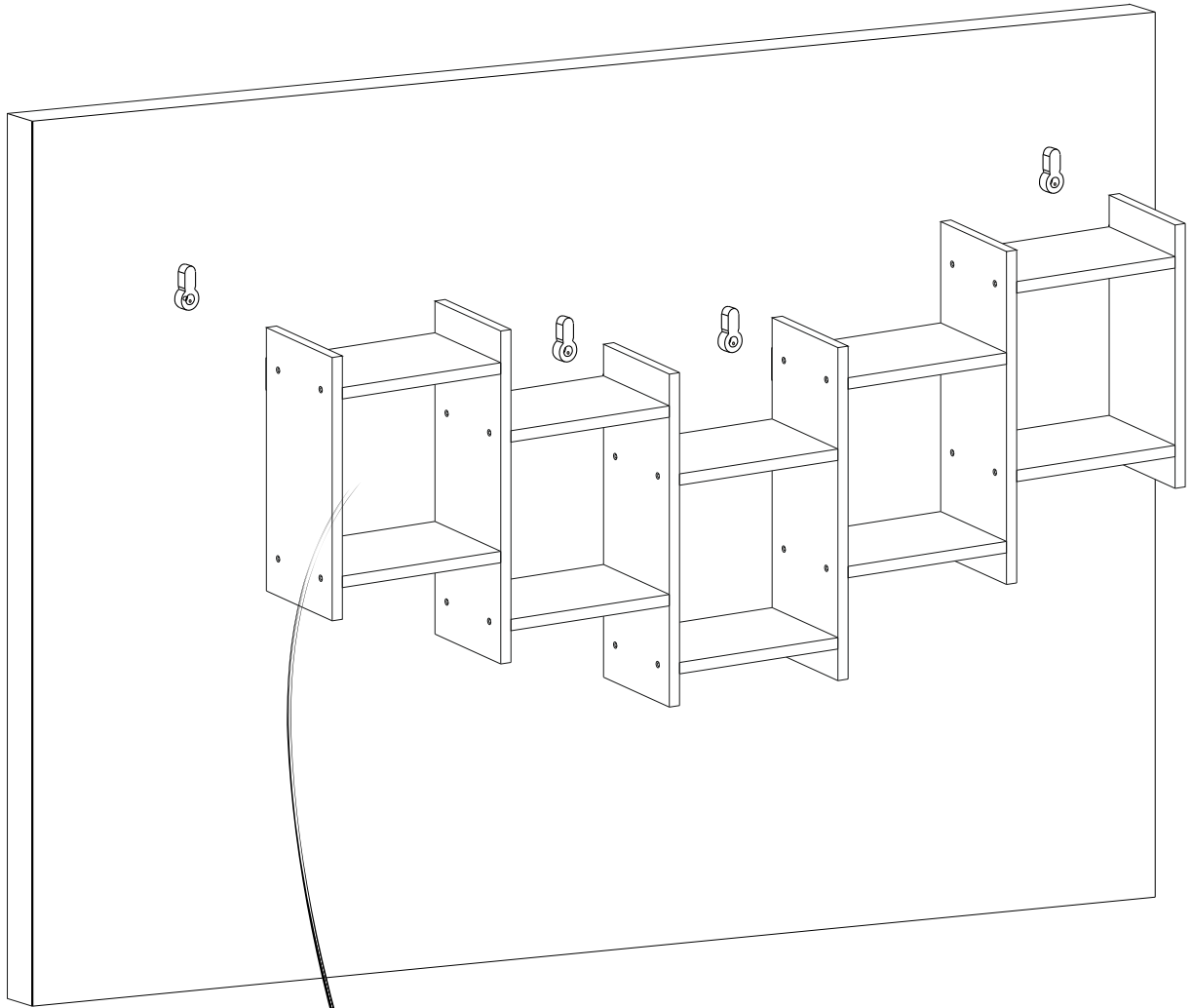
9.



# 10.



# 11.



# 12.

