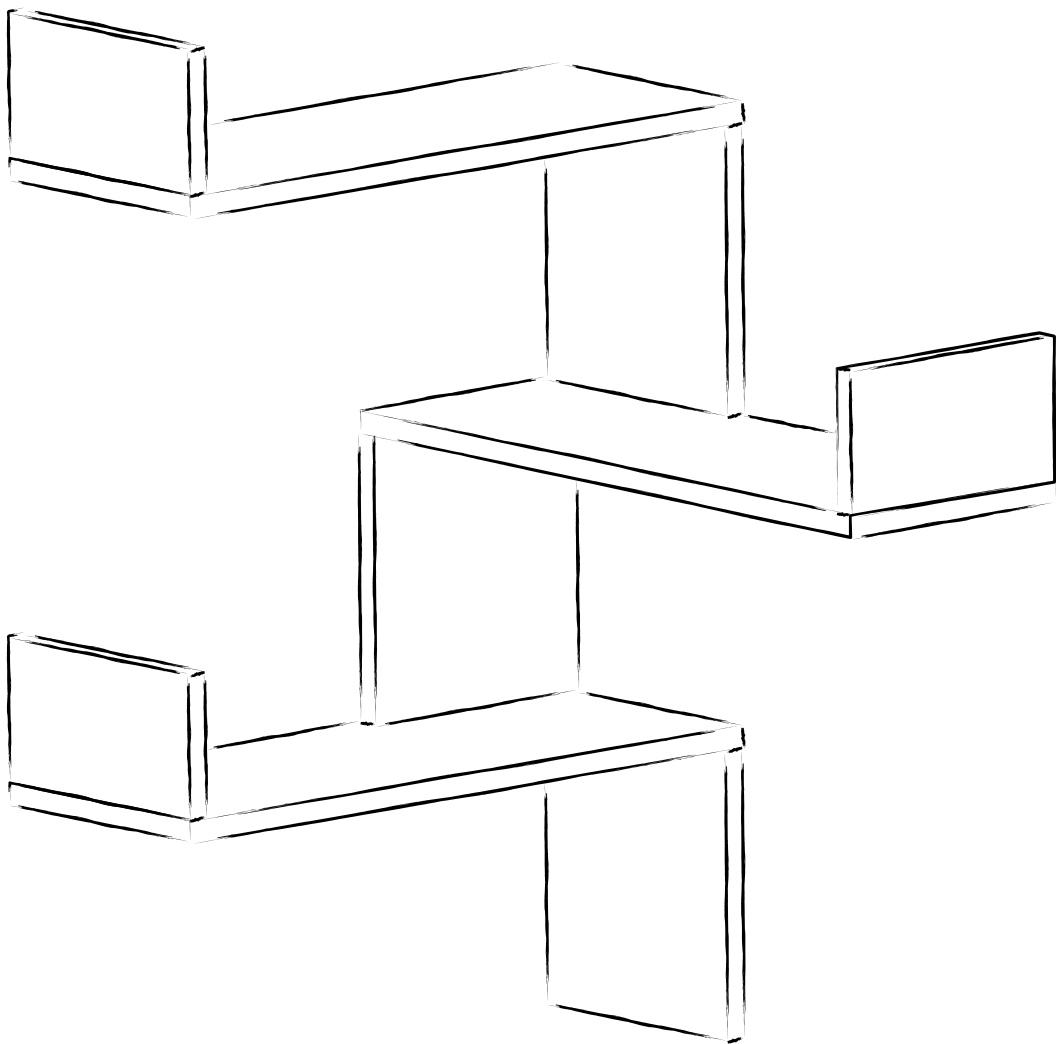


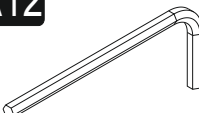
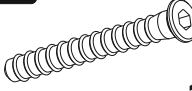
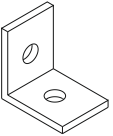
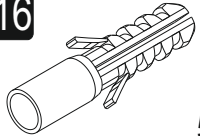
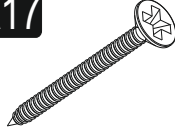
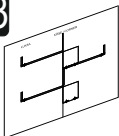
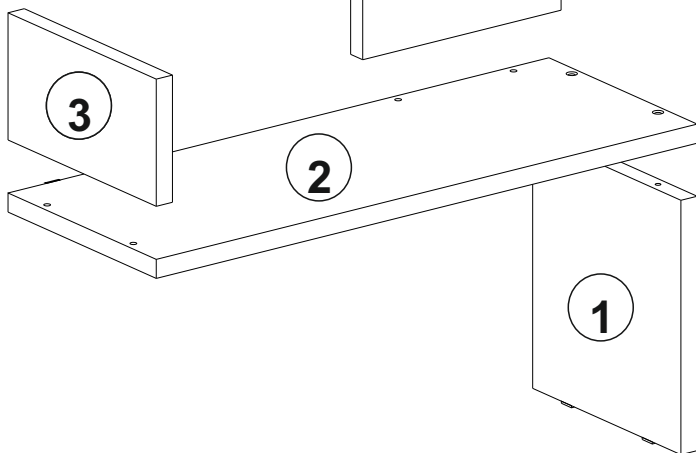
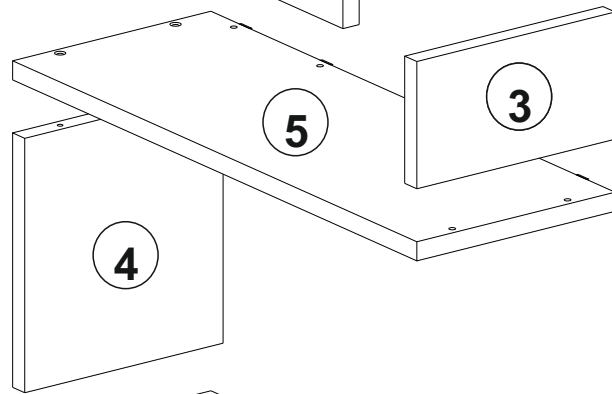
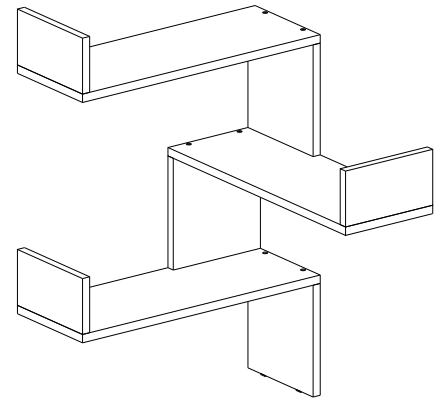
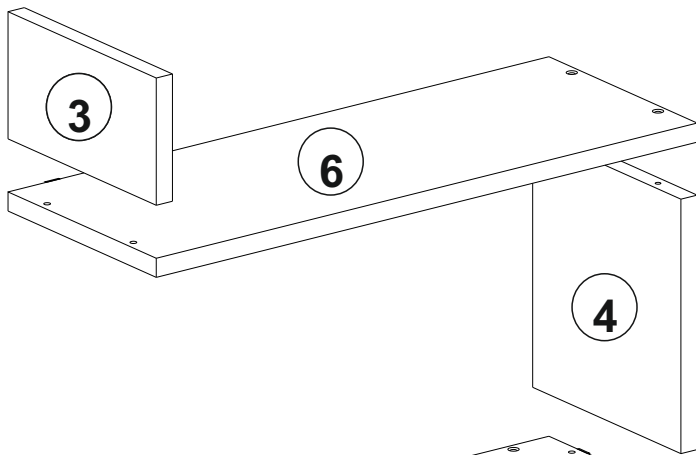


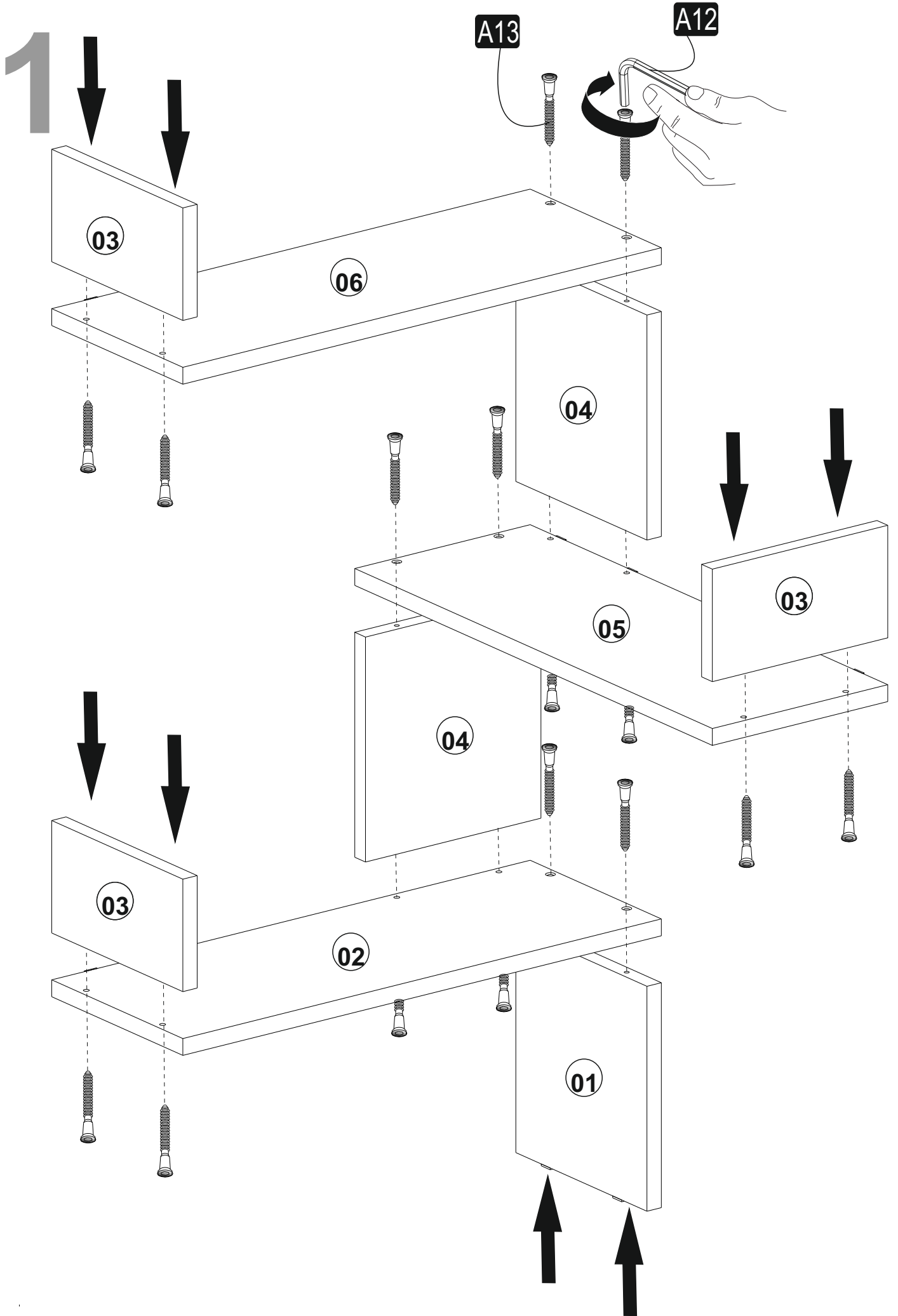
STEPS

141125

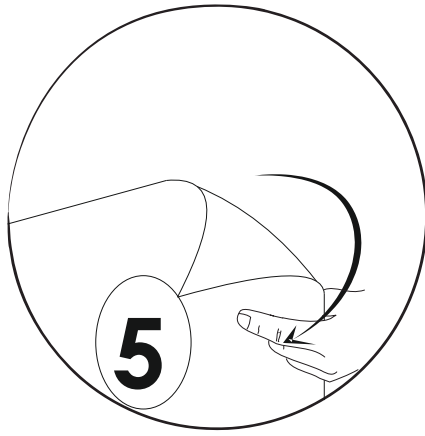
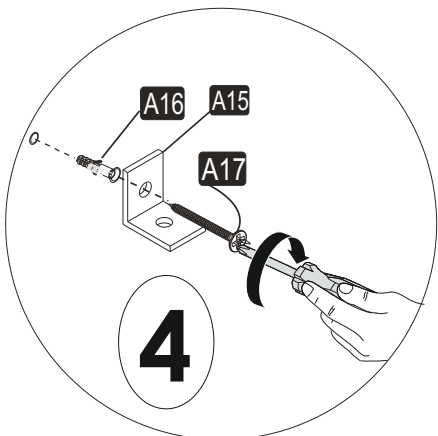
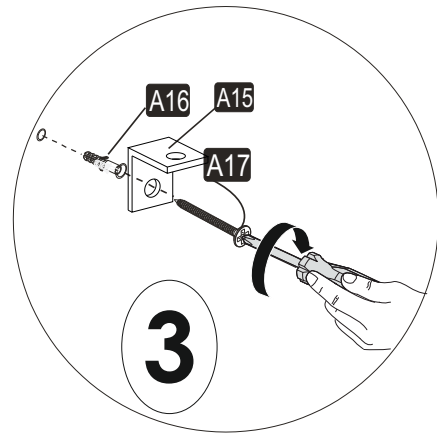
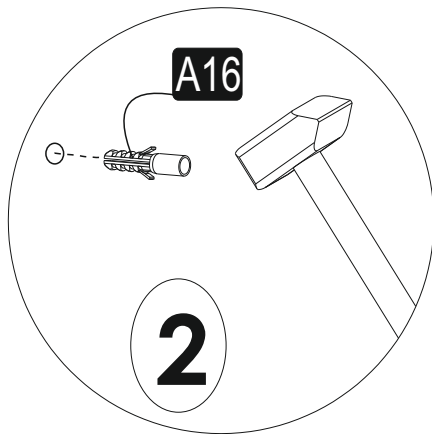
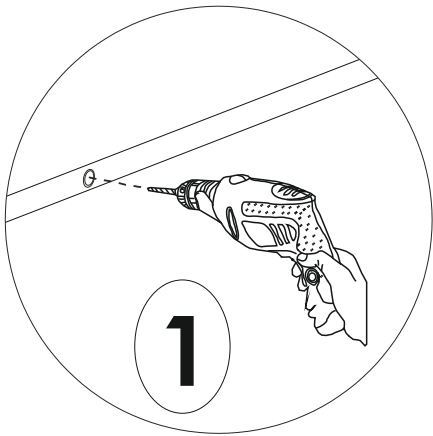
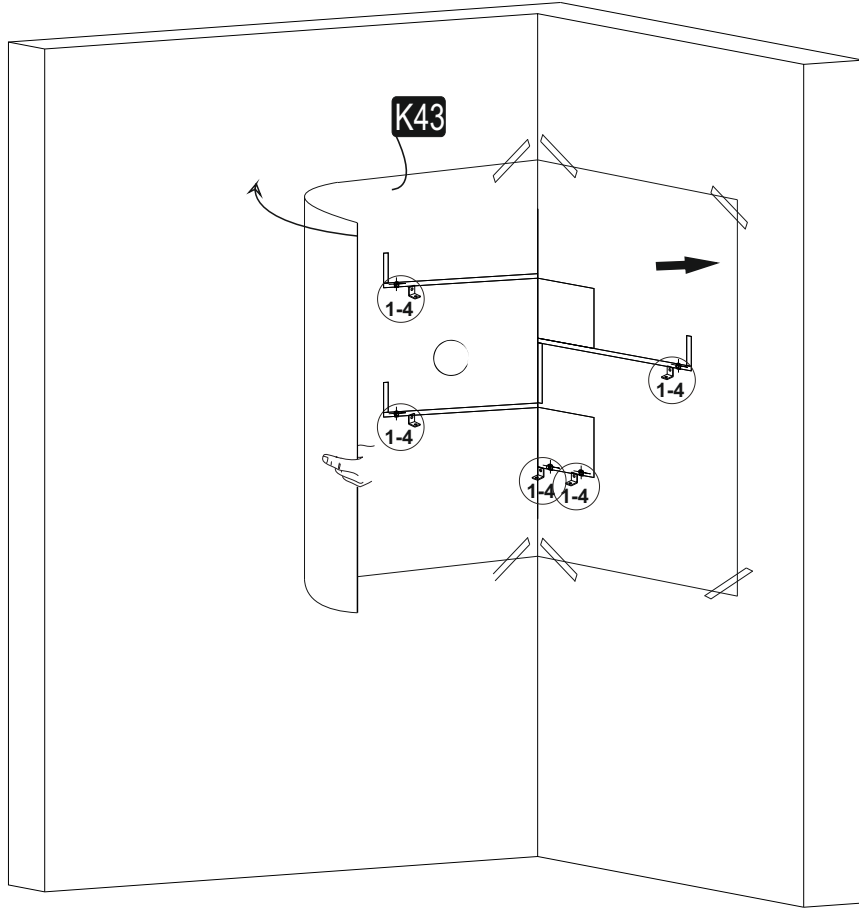


A18  5x	A06  c1 16x	A12  1x	A13  16x	A15  5x
A16  5x	A17  5x	K43  1x		

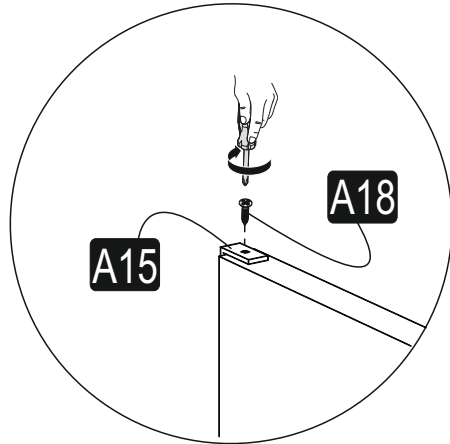
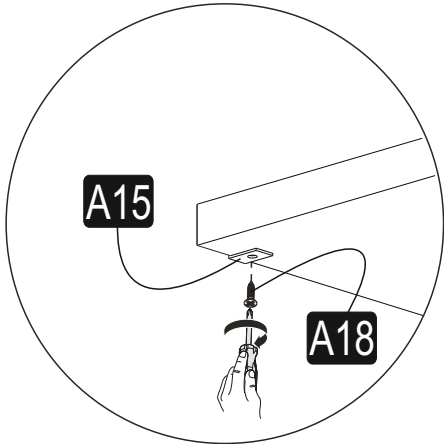
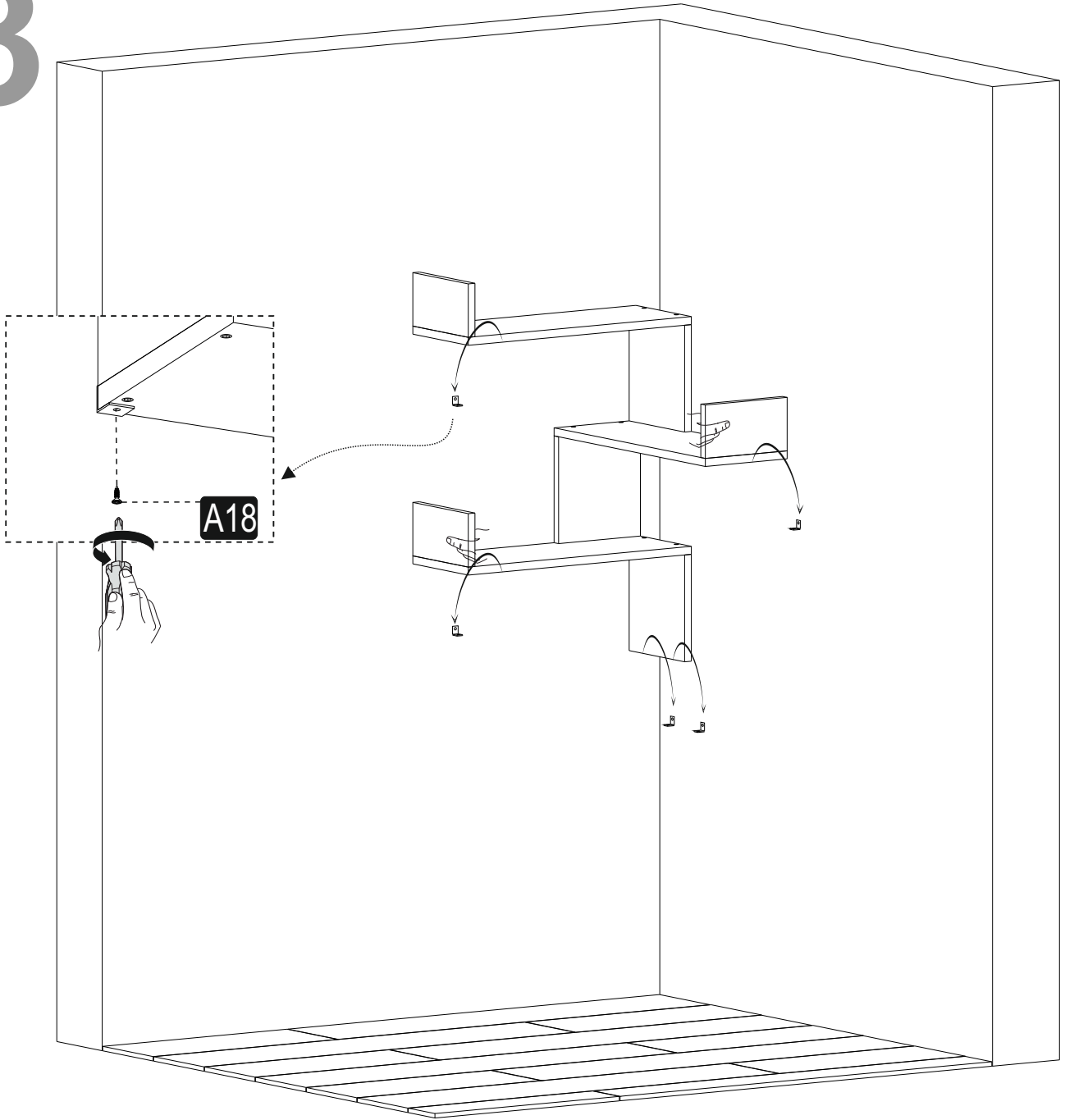




2



3



4

