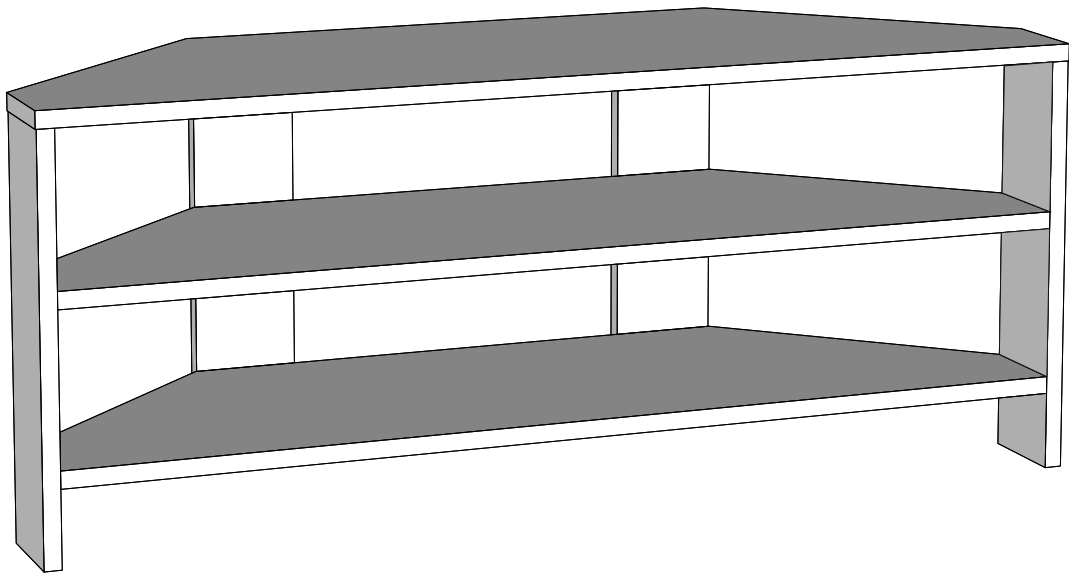
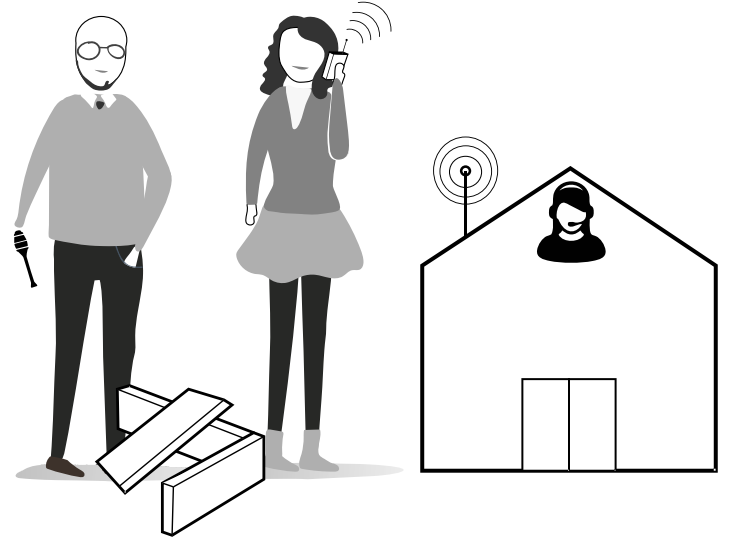
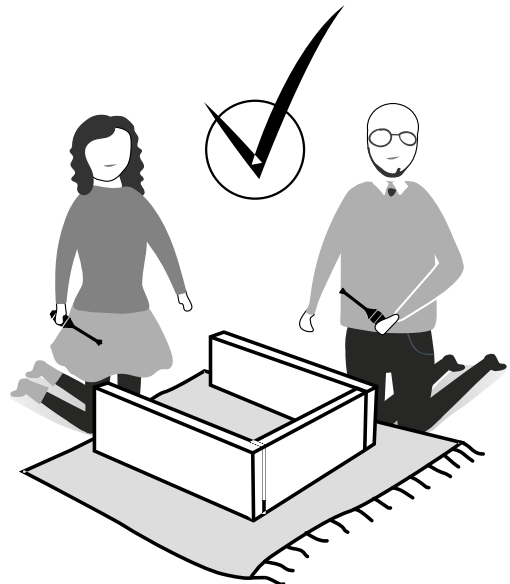
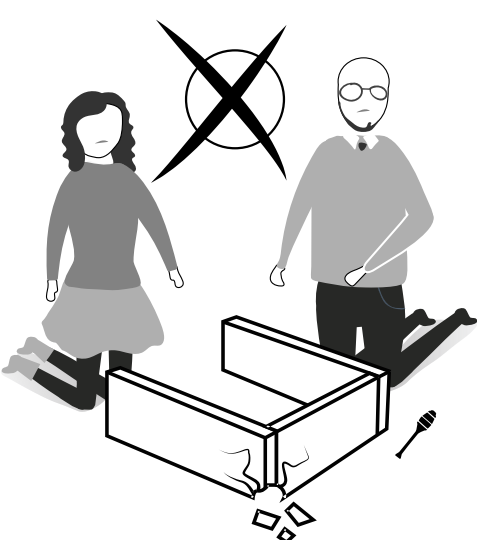
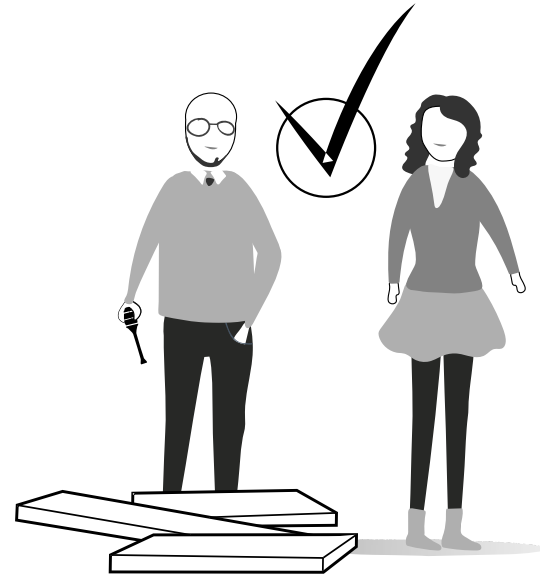
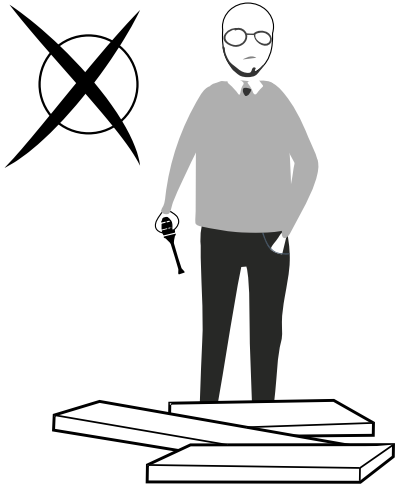
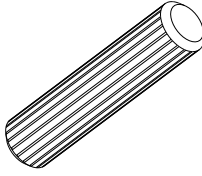


# PLATON

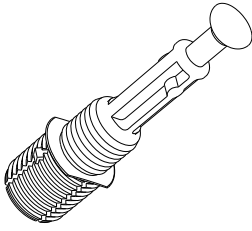




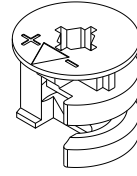
A04



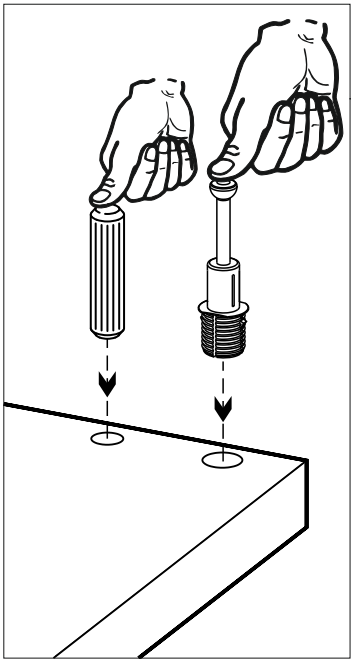
A23



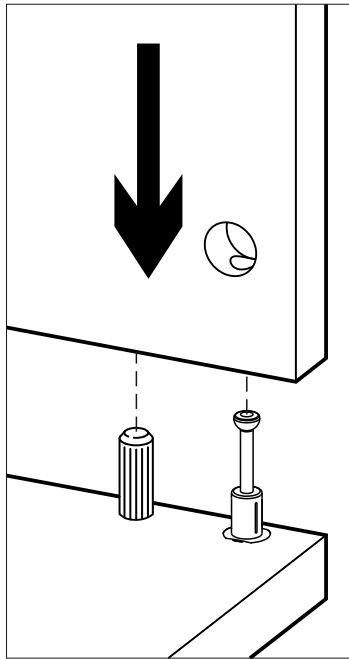
A22



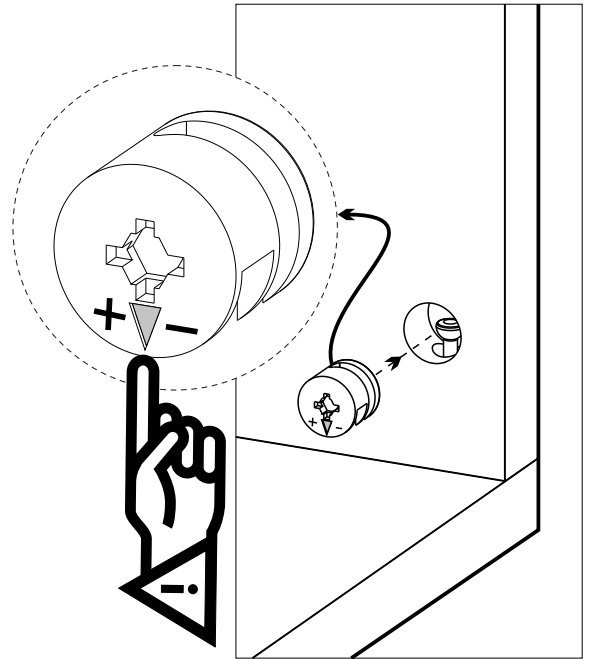
1



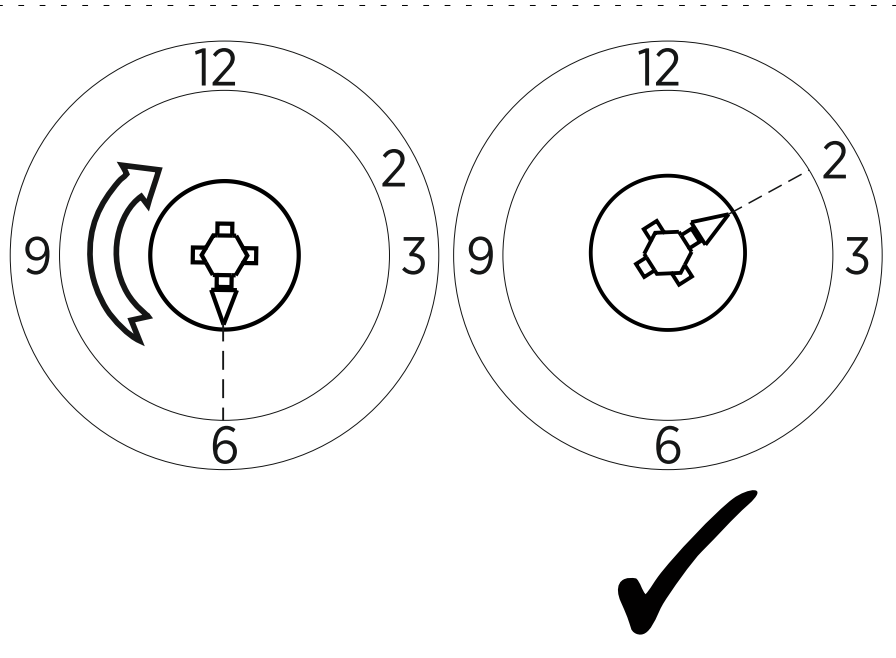
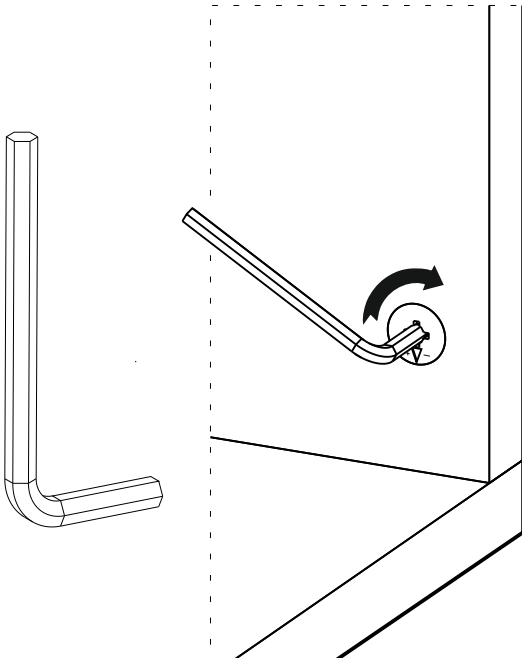
2



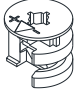



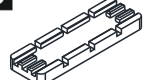

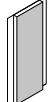
3

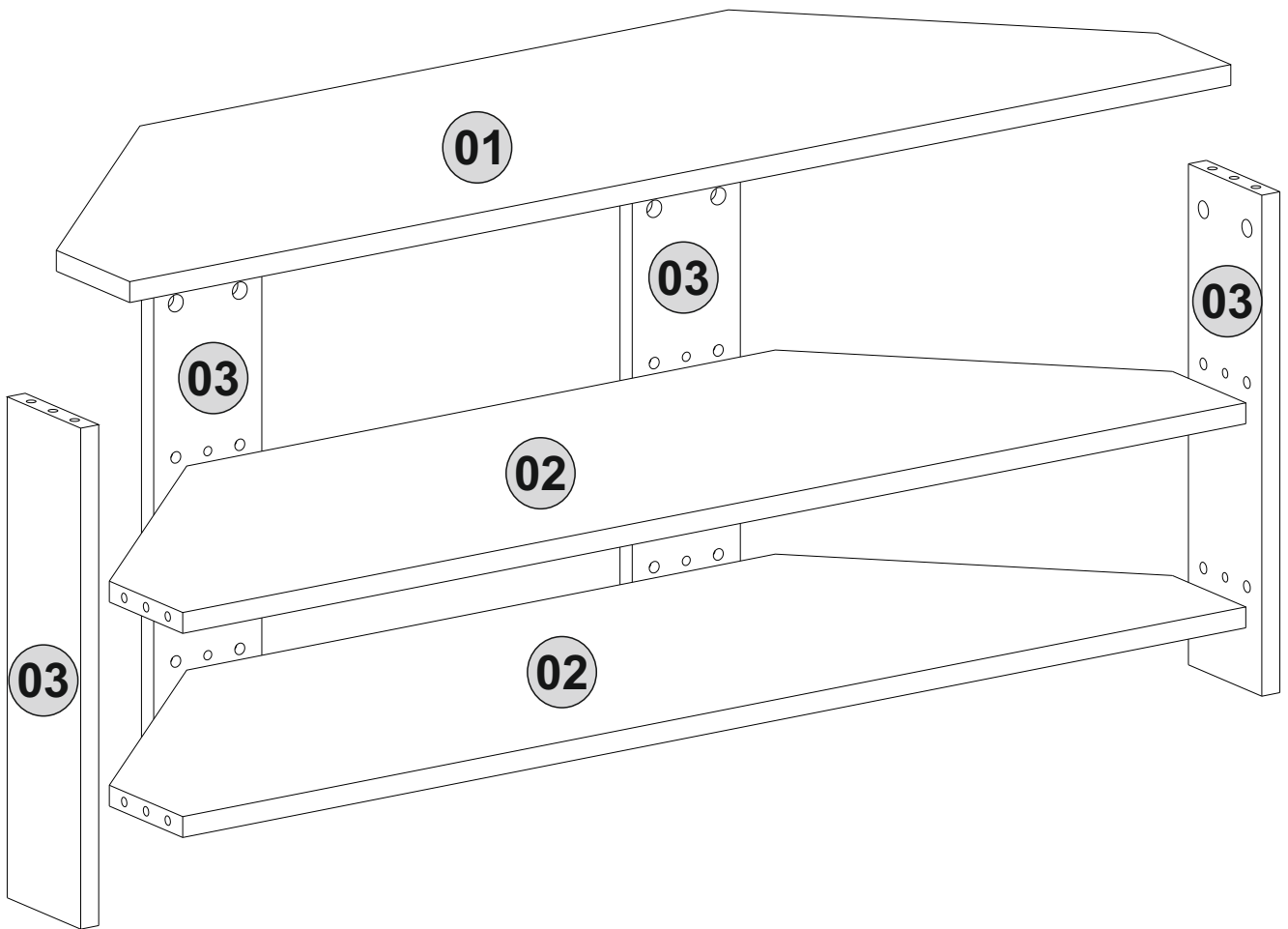


4

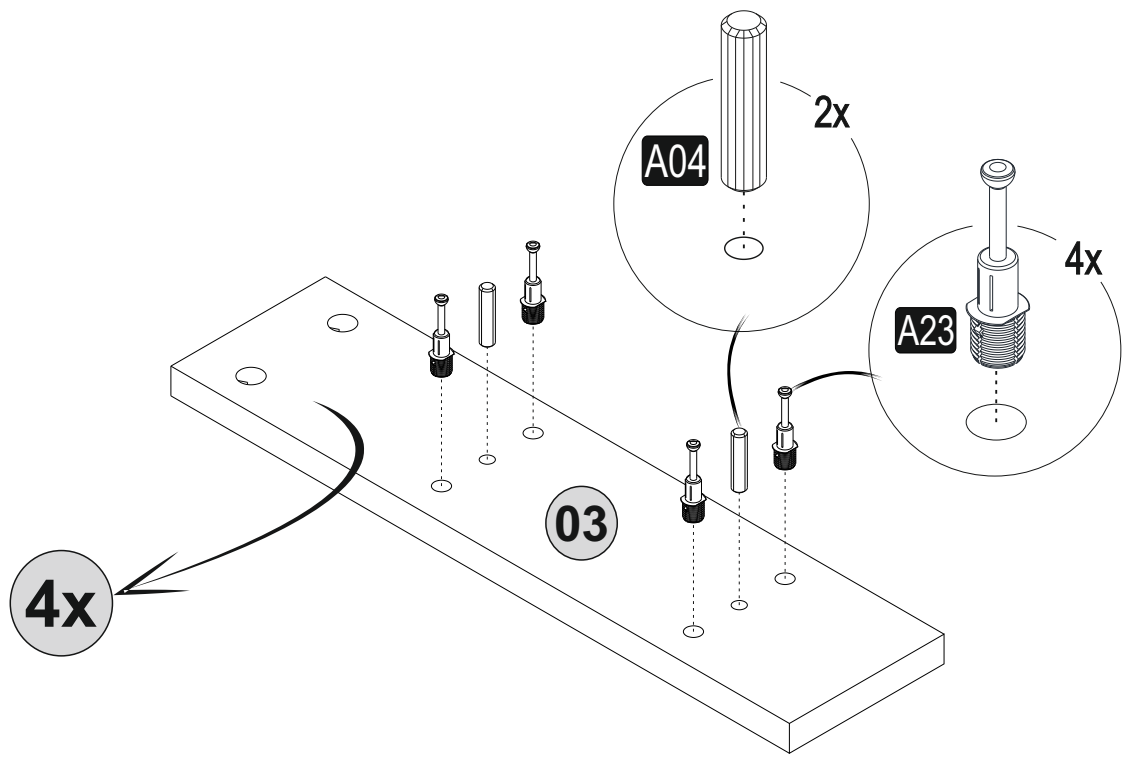




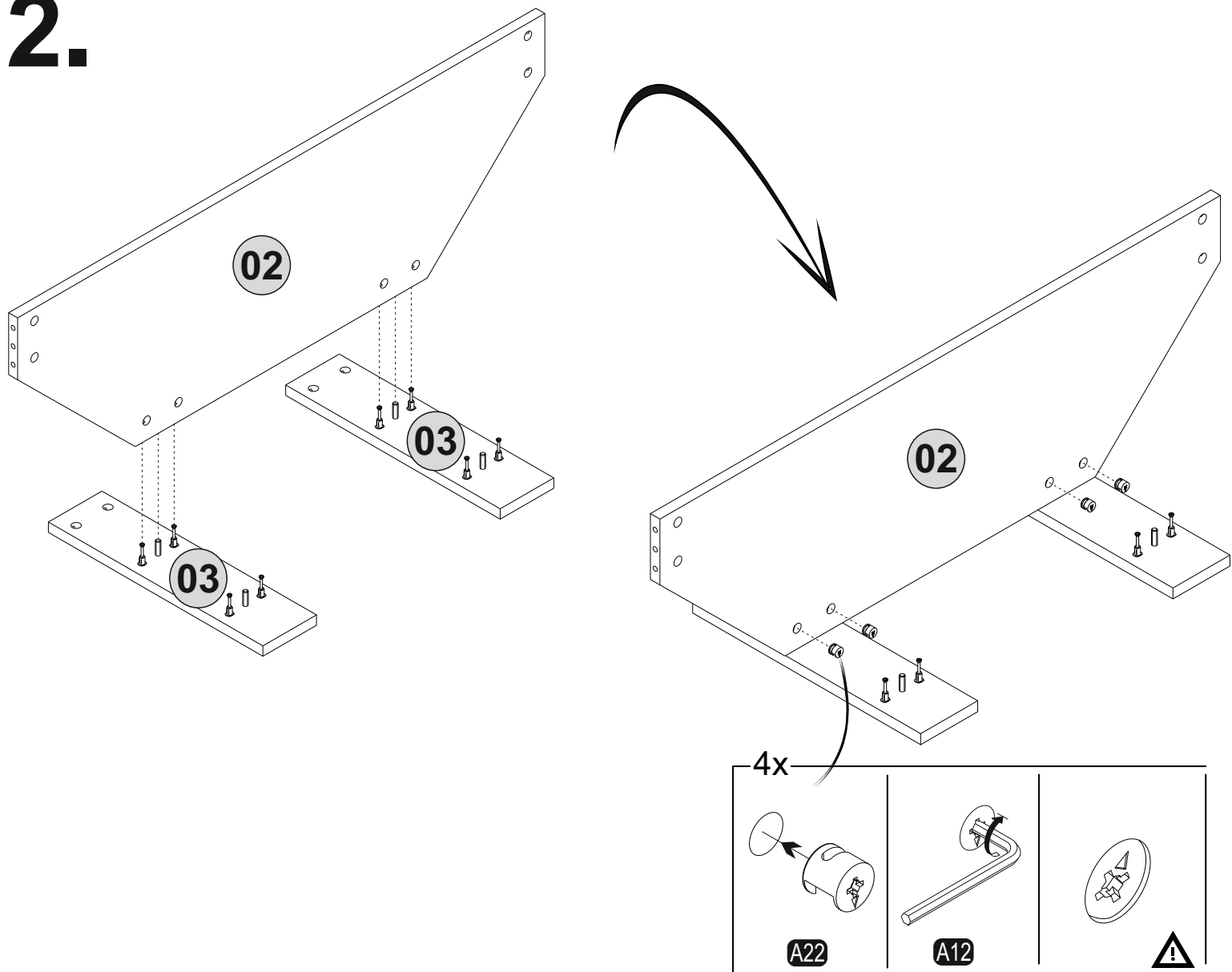
<b>A22</b>  24x	<b>A23</b>  24x	<b>A04</b>  12x	<b>A12</b>  1x	<b>A08</b>  4x
			<b>A06</b>  C1-16x C2-8x	<b>Y03</b>  4x



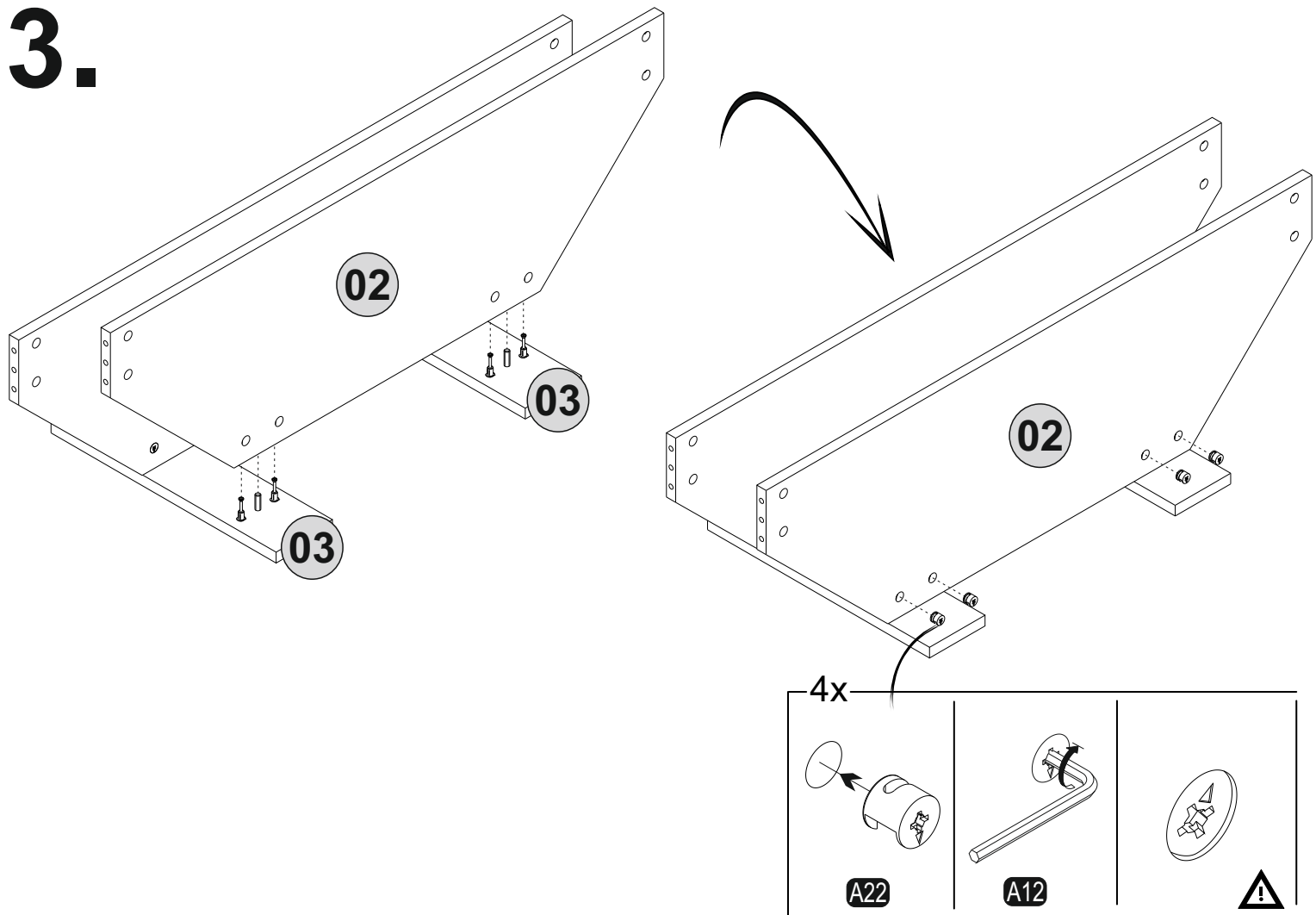
# 1.



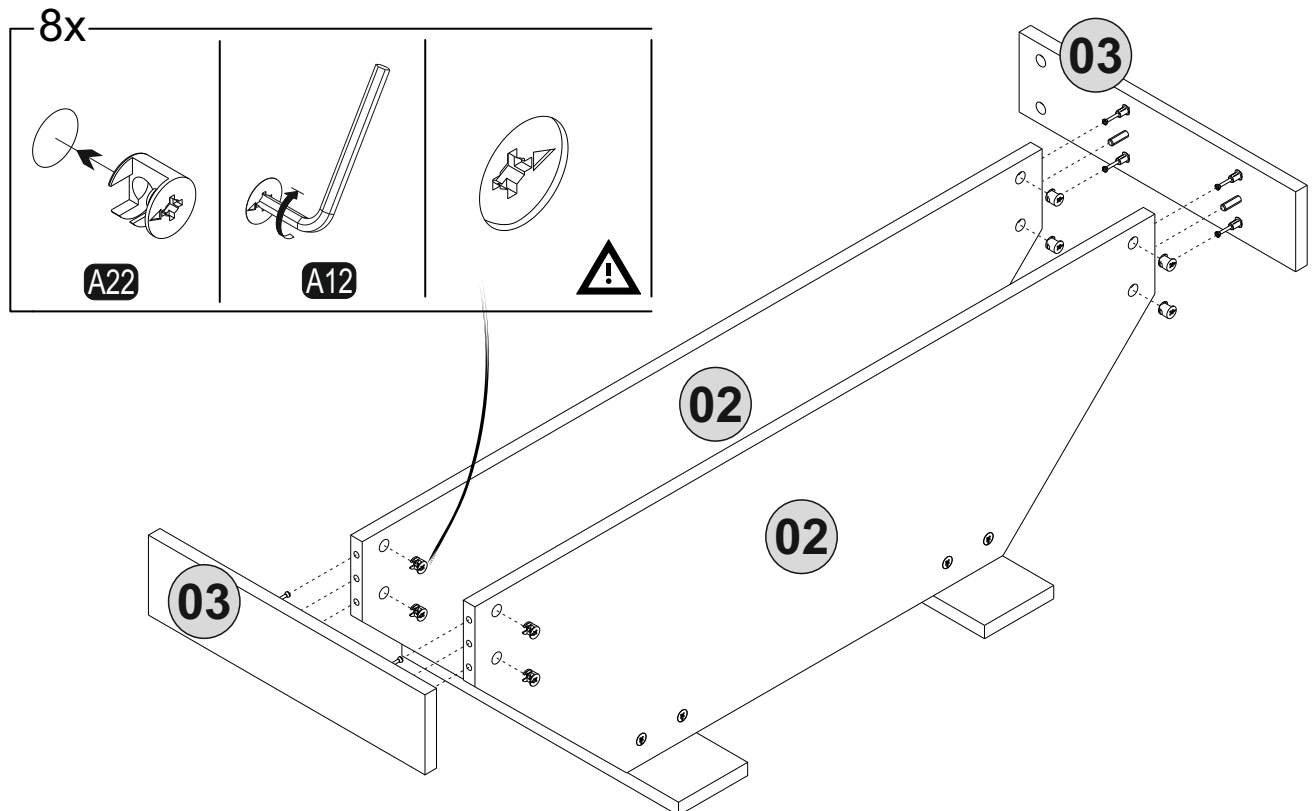
# 2.



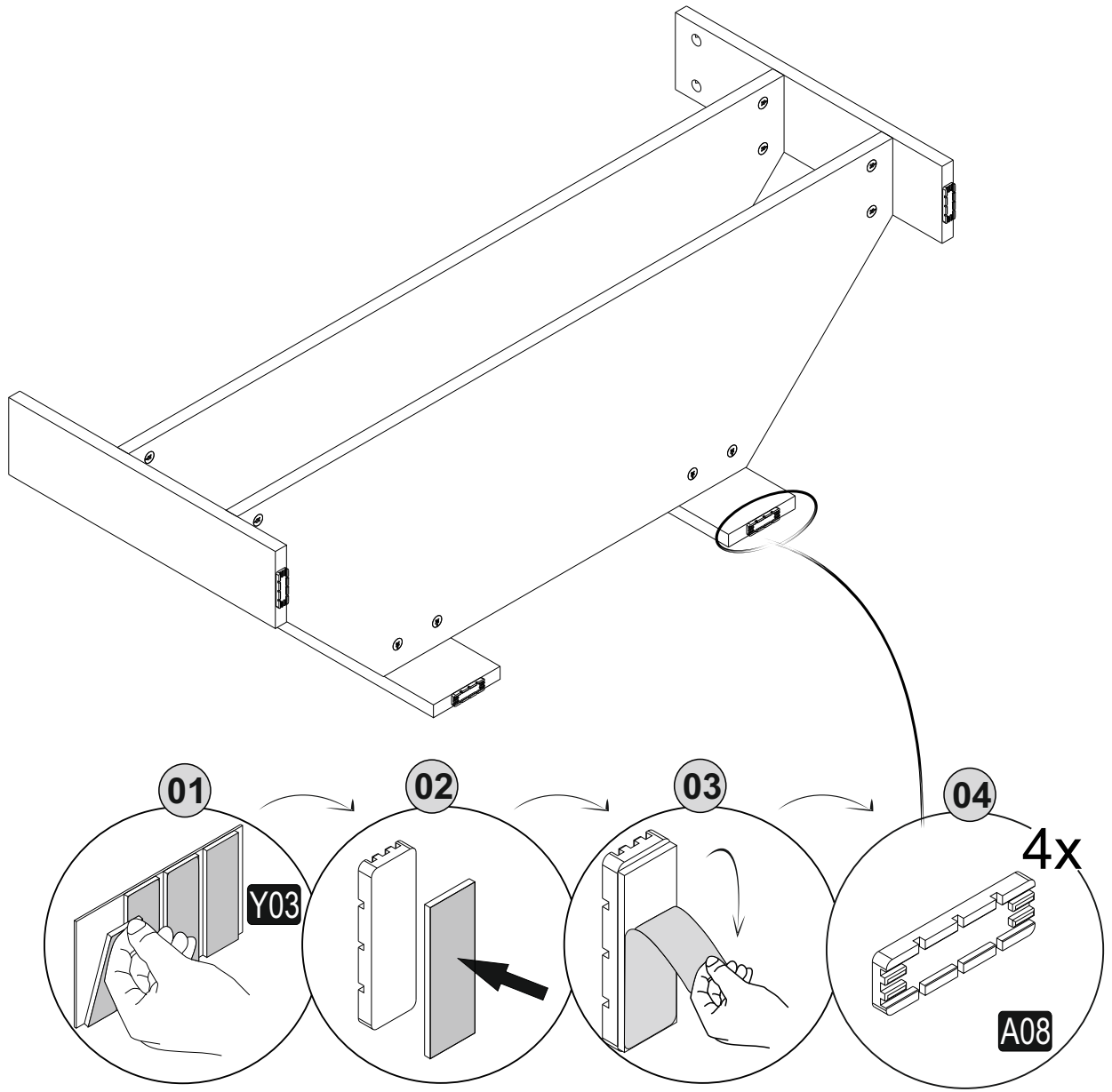
# 3.



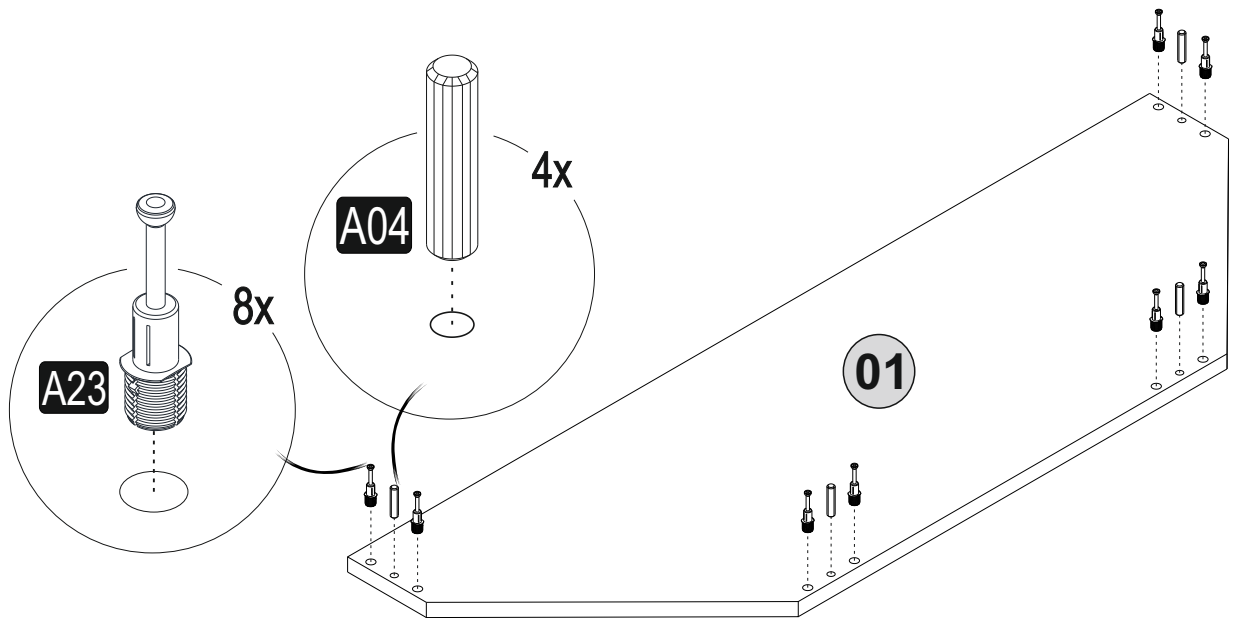
# 4.



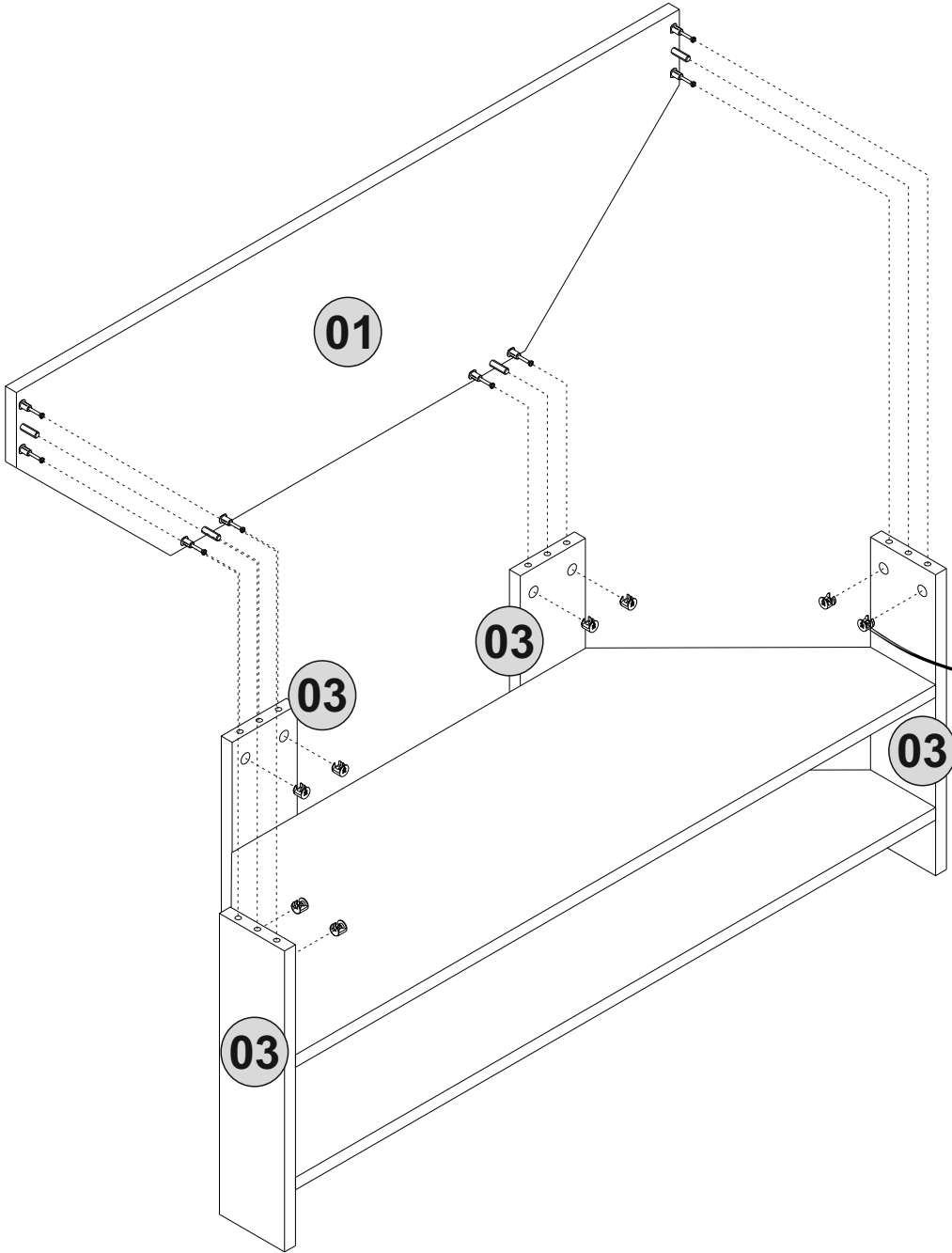
# 5.



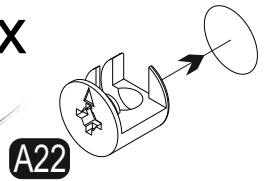
# 6.



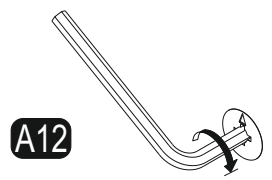
# 7.



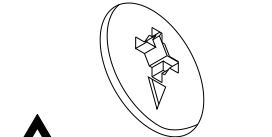
8x



A22



A12





8.

