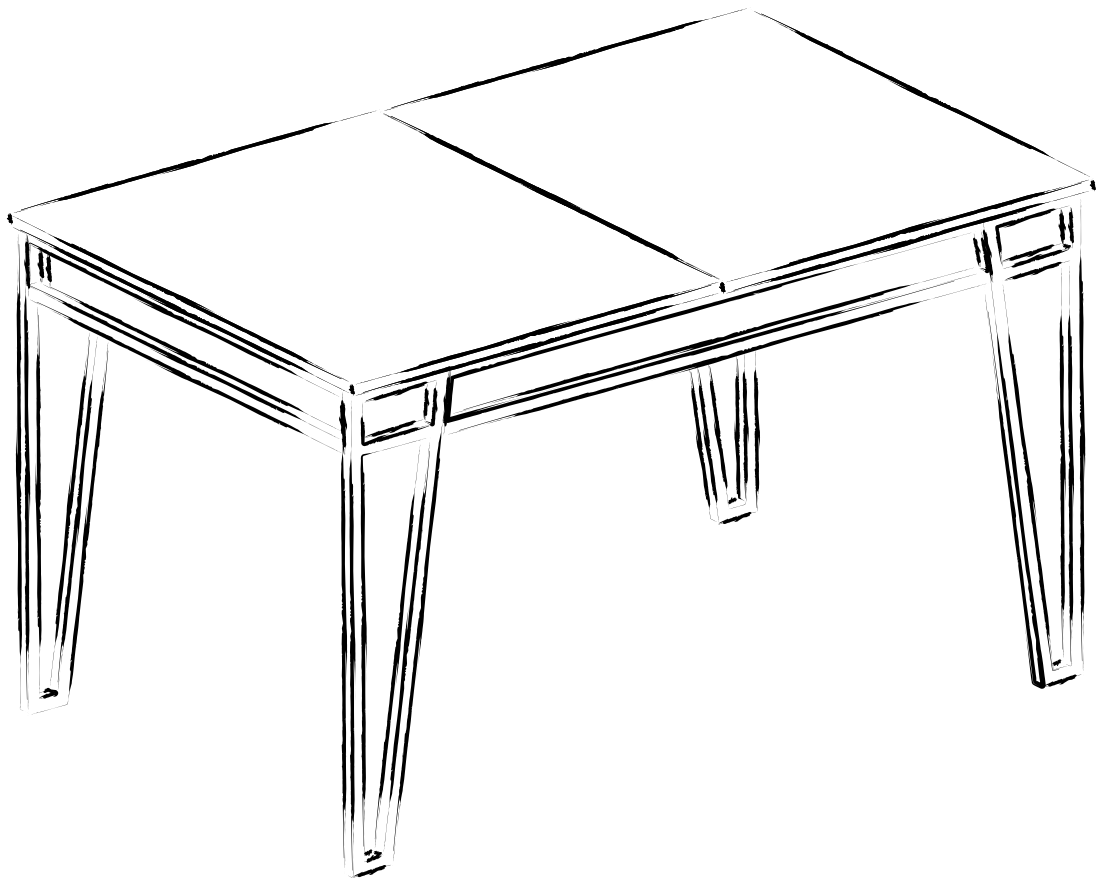
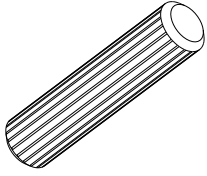


# AURA

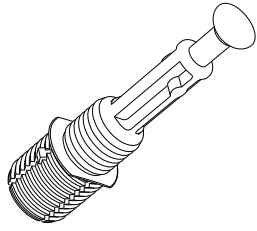
141648



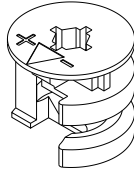
A04



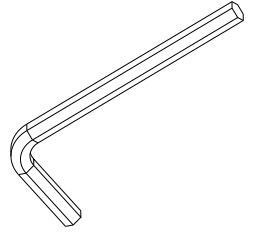
A23



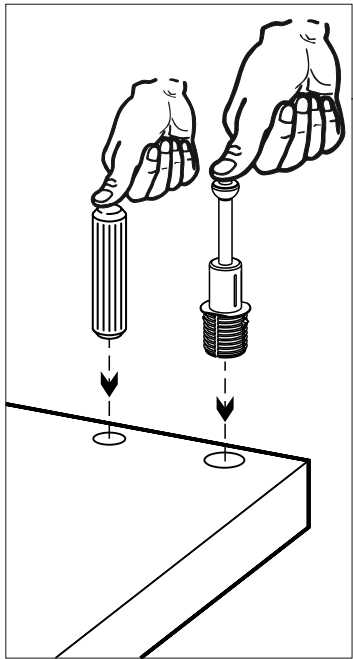
A22



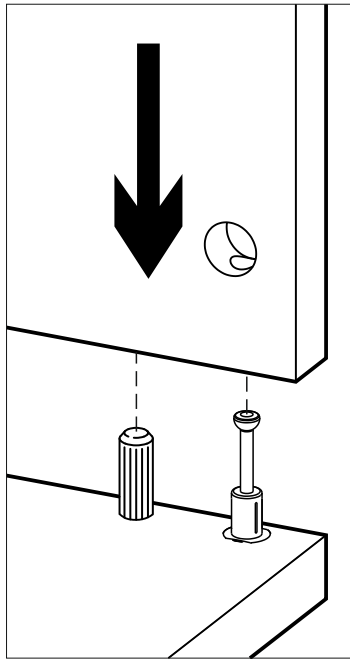
A12



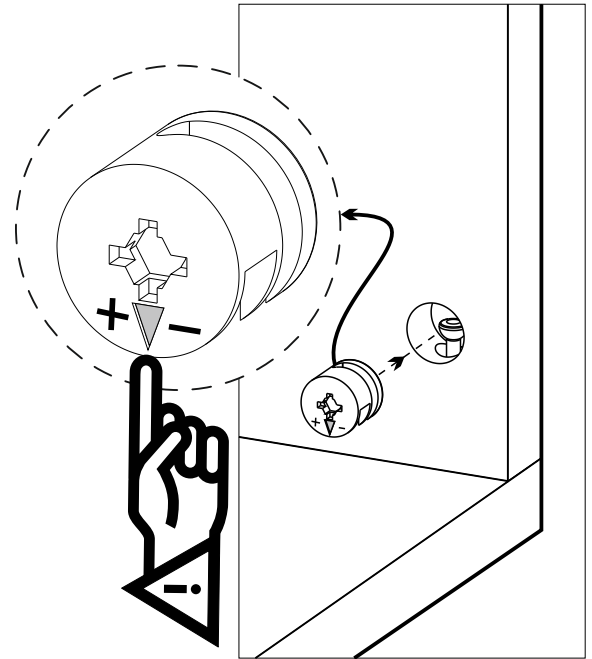
1



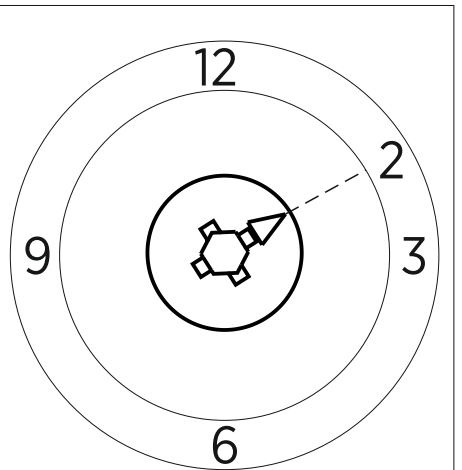
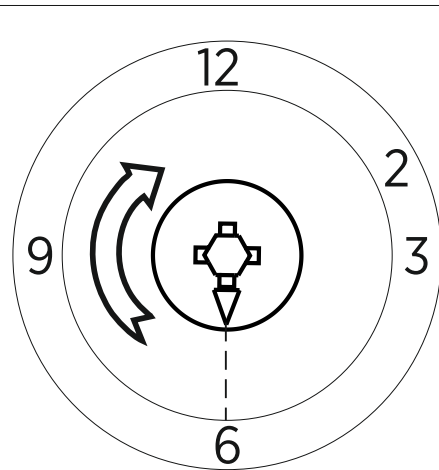
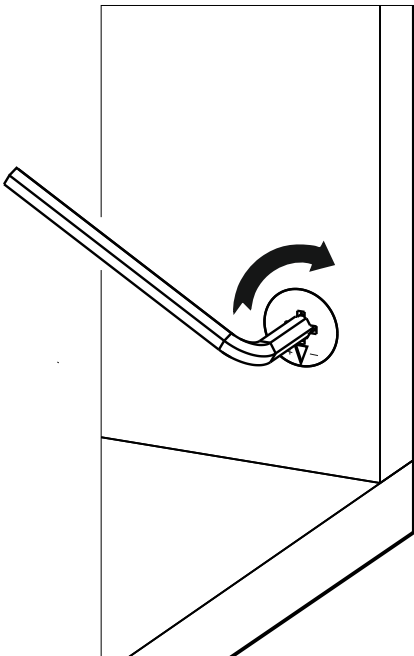
2



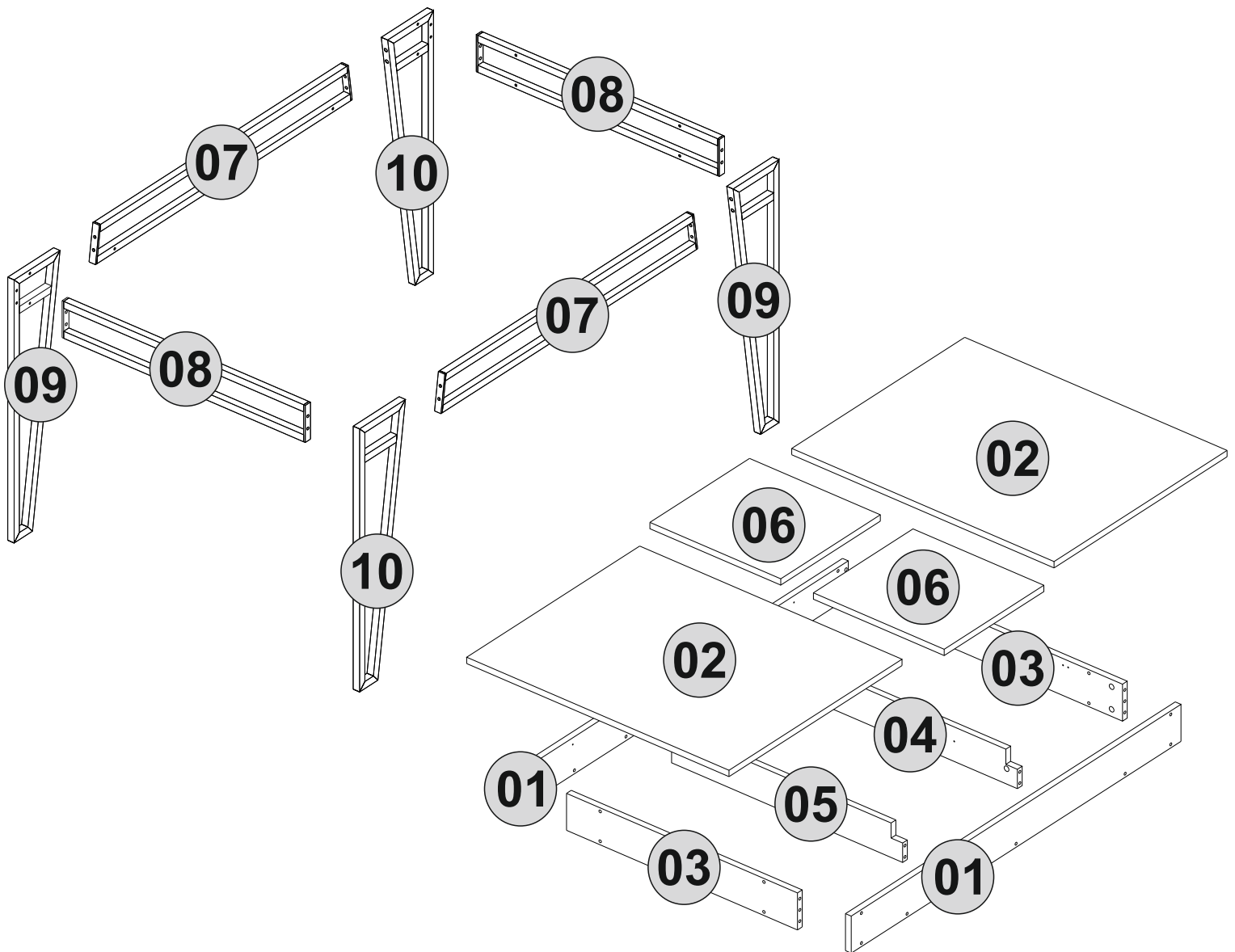
3

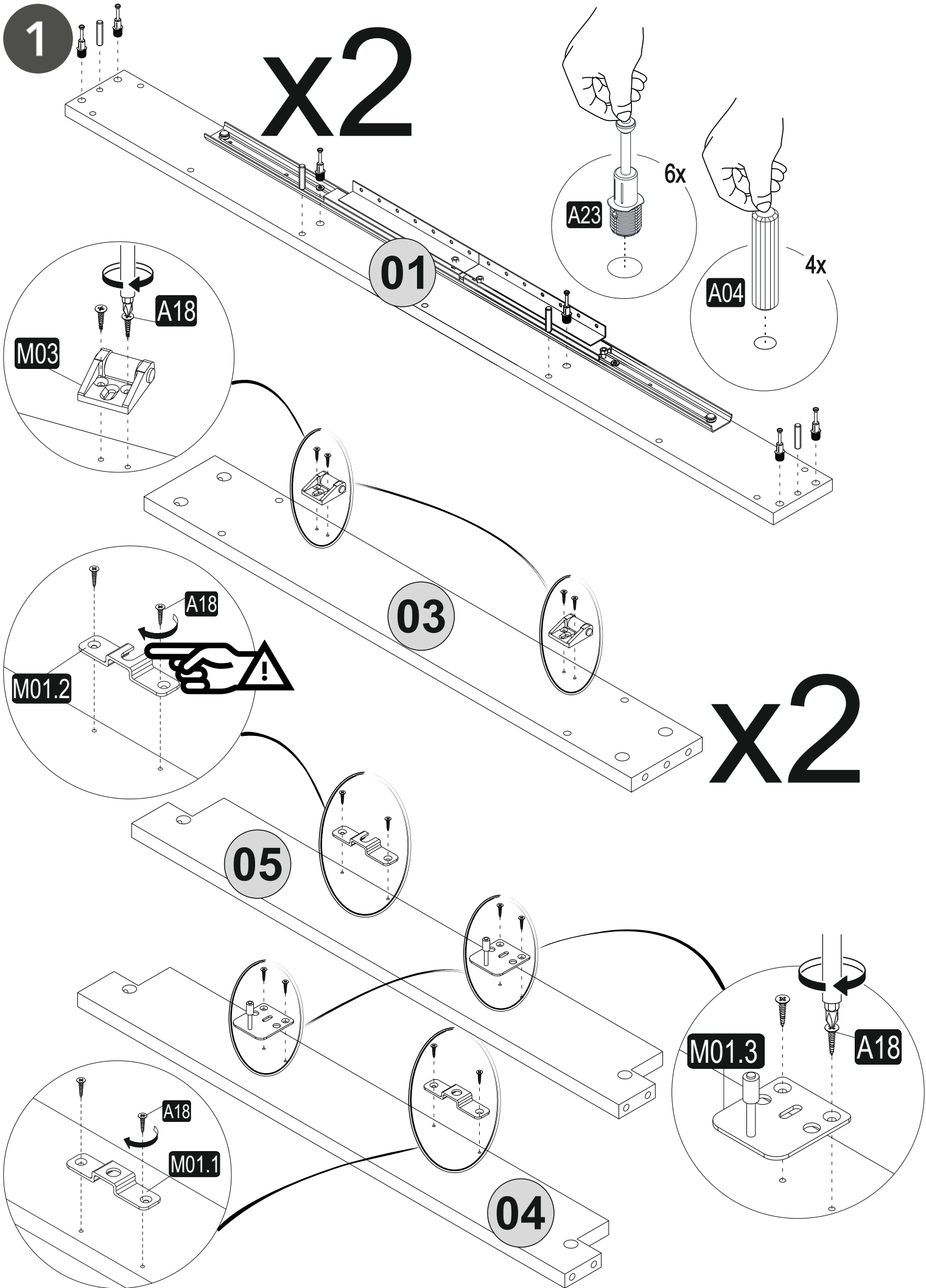


4

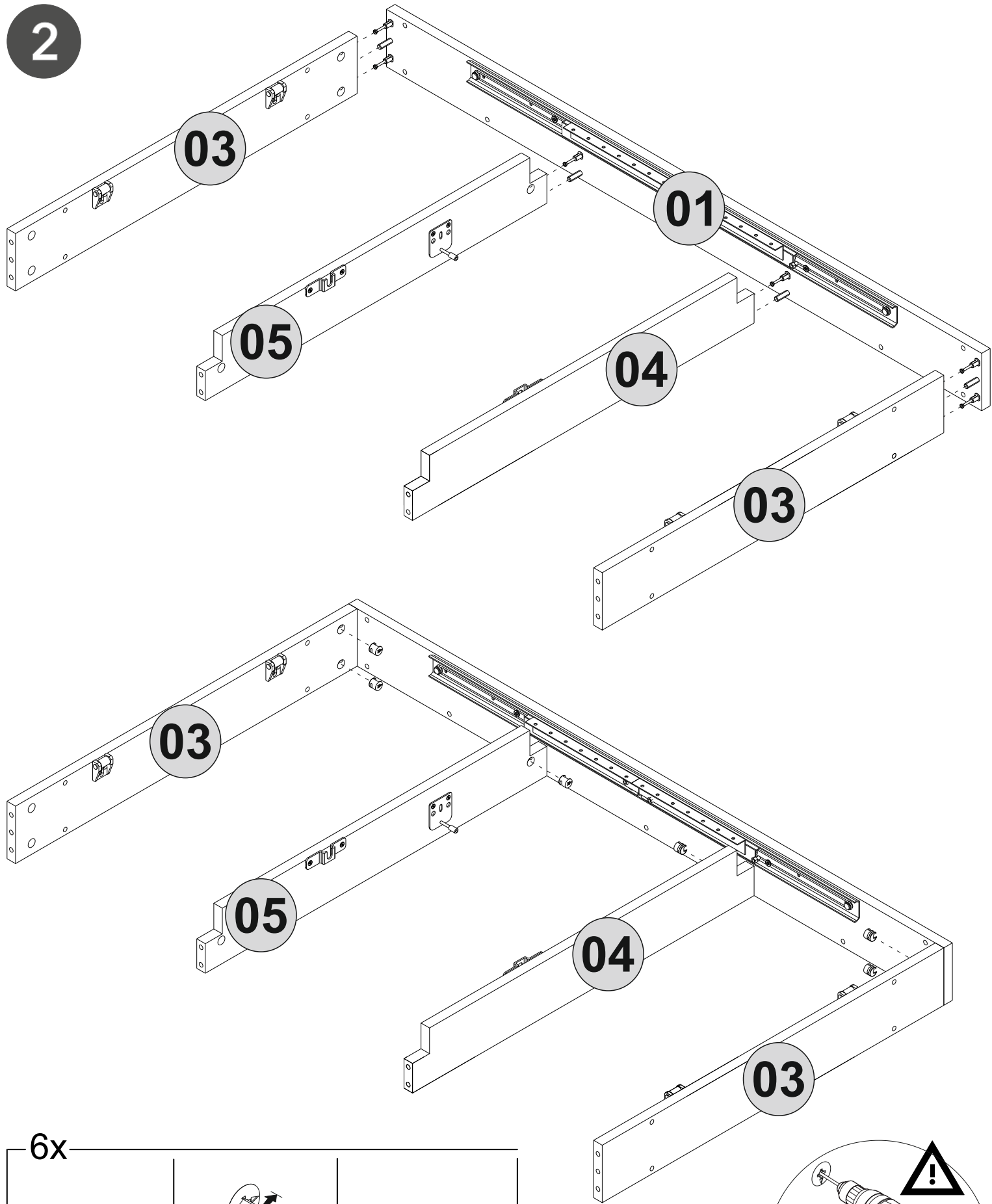


<b>A04</b>  8x	<b>A22</b>  12x	<b>A23</b>  12x	<b>A06</b>  C1-12x	<b>A12</b>  1x
<b>A18</b>  3,5x18 44x	<b>M03</b>  4x	<b>B12</b>  30 22x	<b>B15</b>  15 16x	<b>A26</b>  1x
<b>M01.1</b>  1x	<b>M01.2</b>  1x	<b>M01.3</b>  2x	<b>M01.4</b>  2x	<b>Z116</b>  6x
<b>Z56</b>  4x	<b>P05</b>  1x			

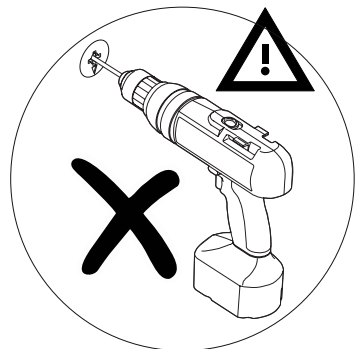
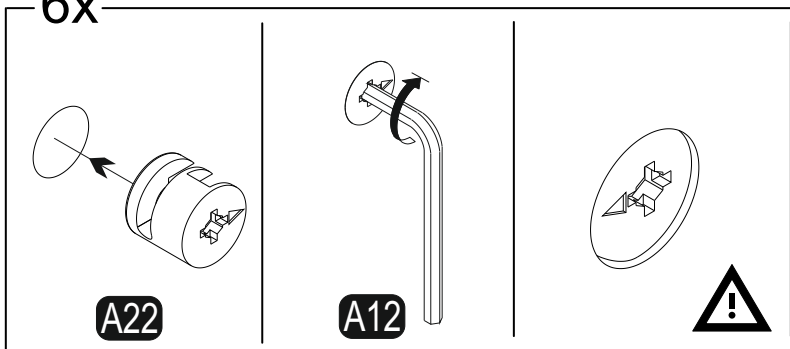




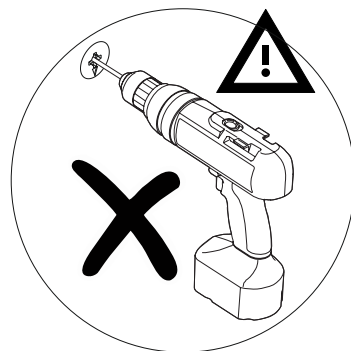
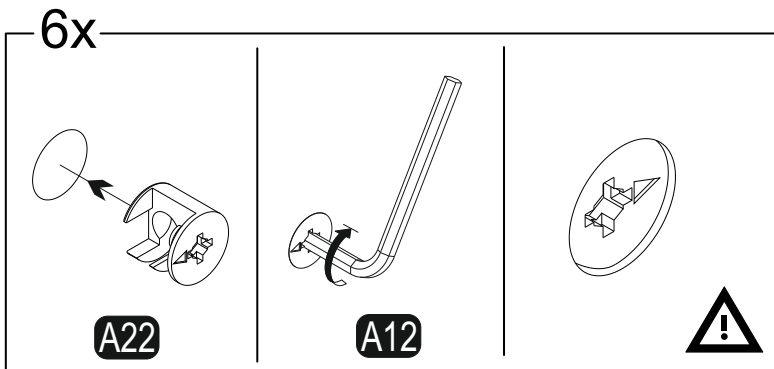
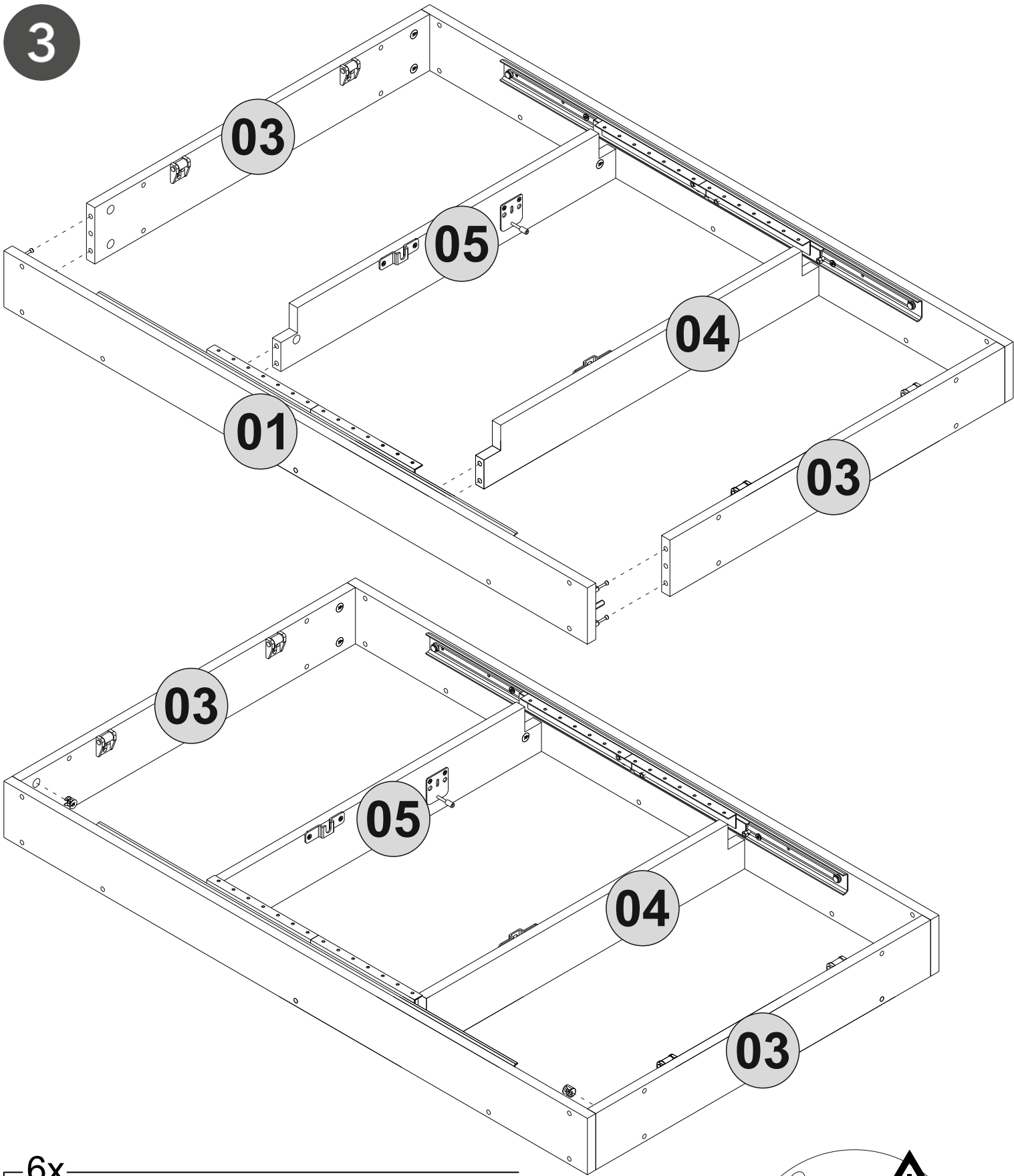
2



6x

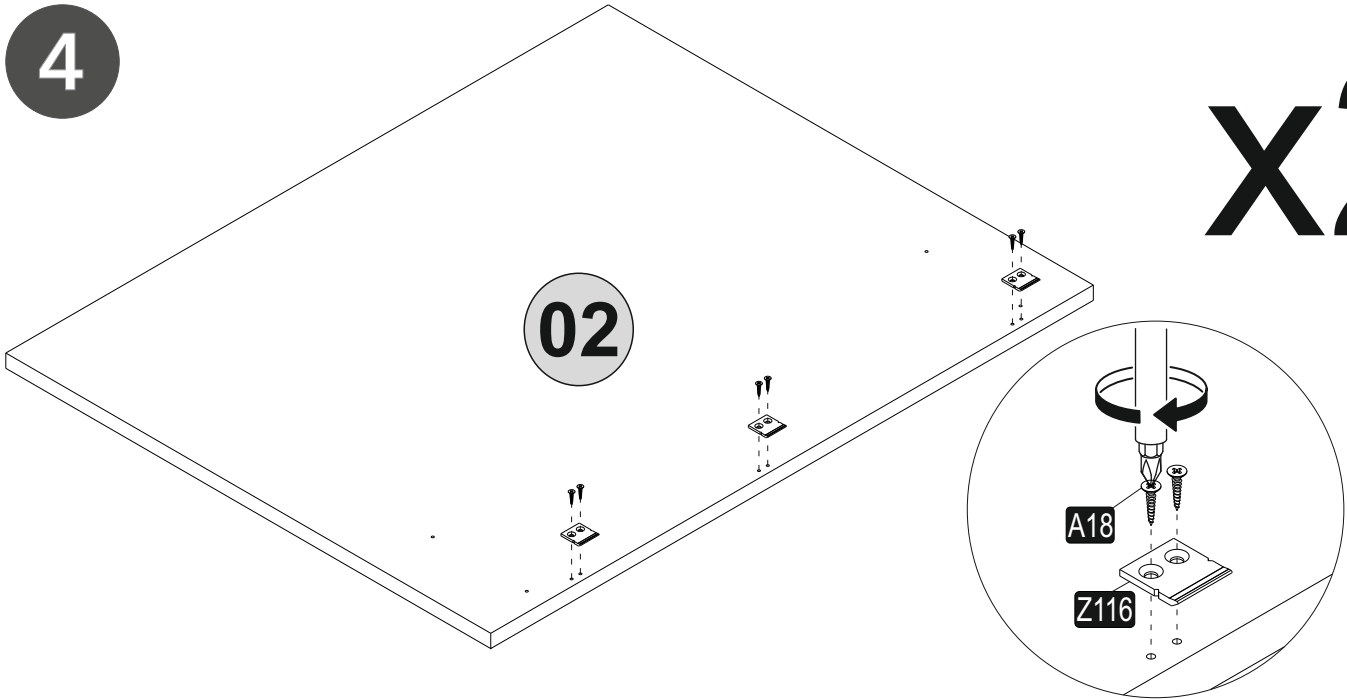


3

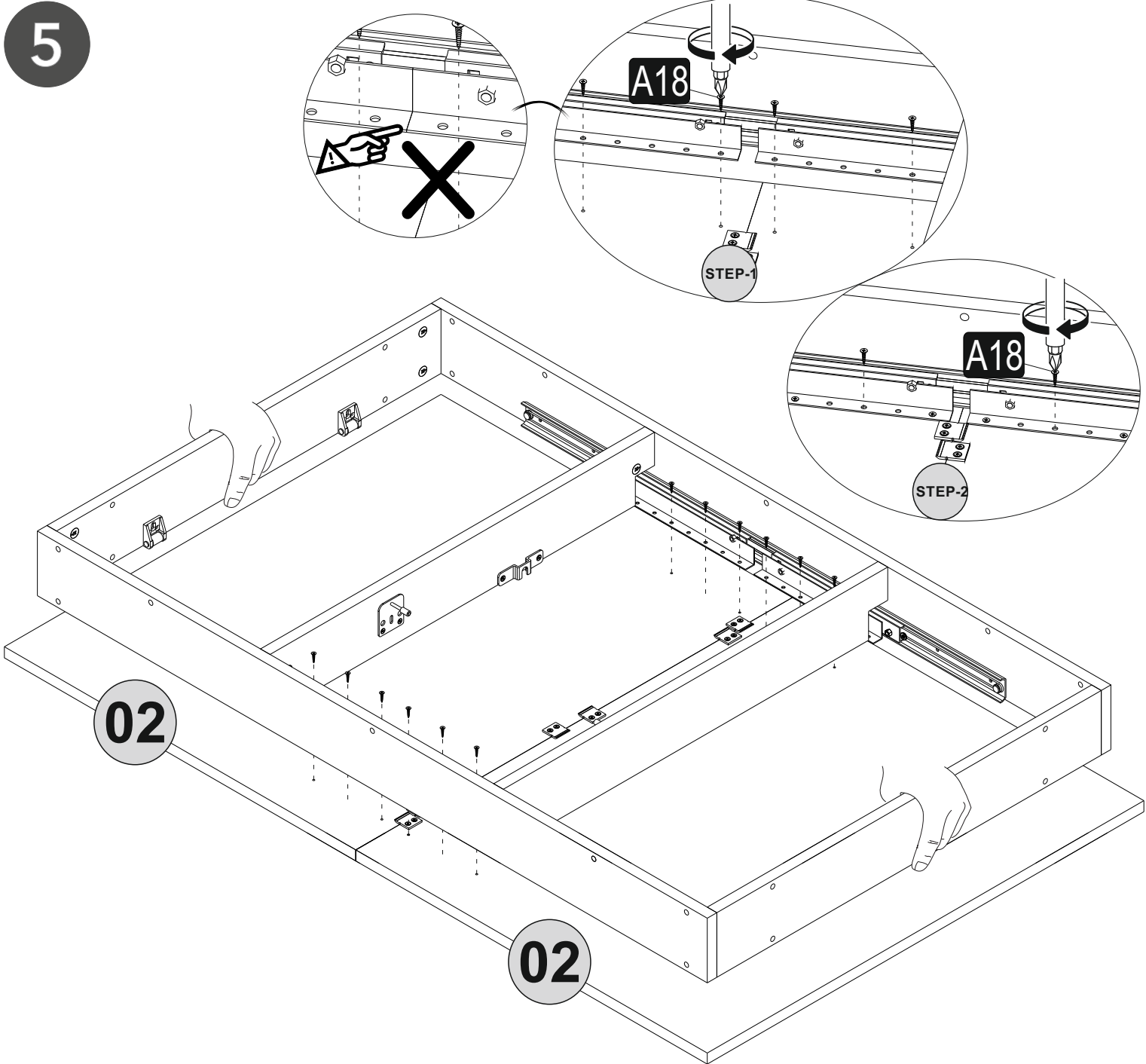


4

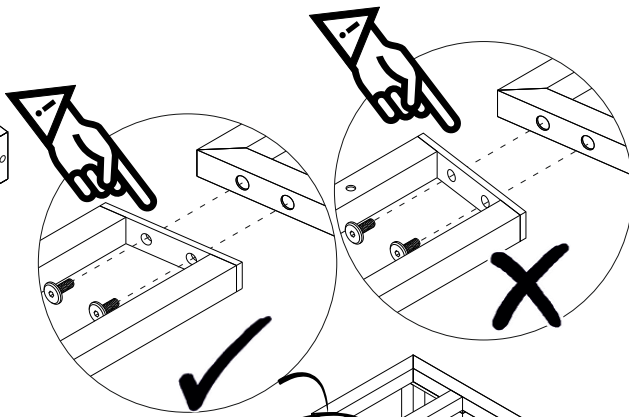
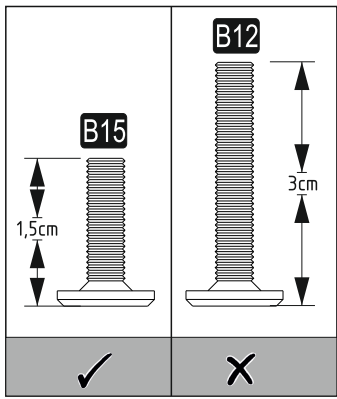
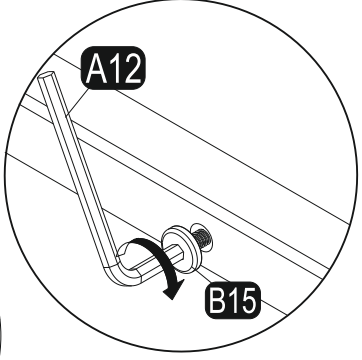
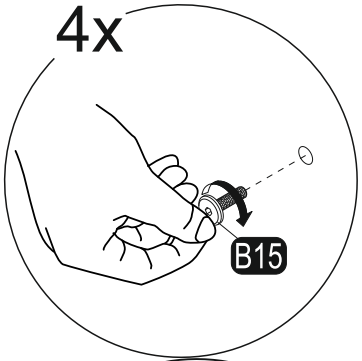
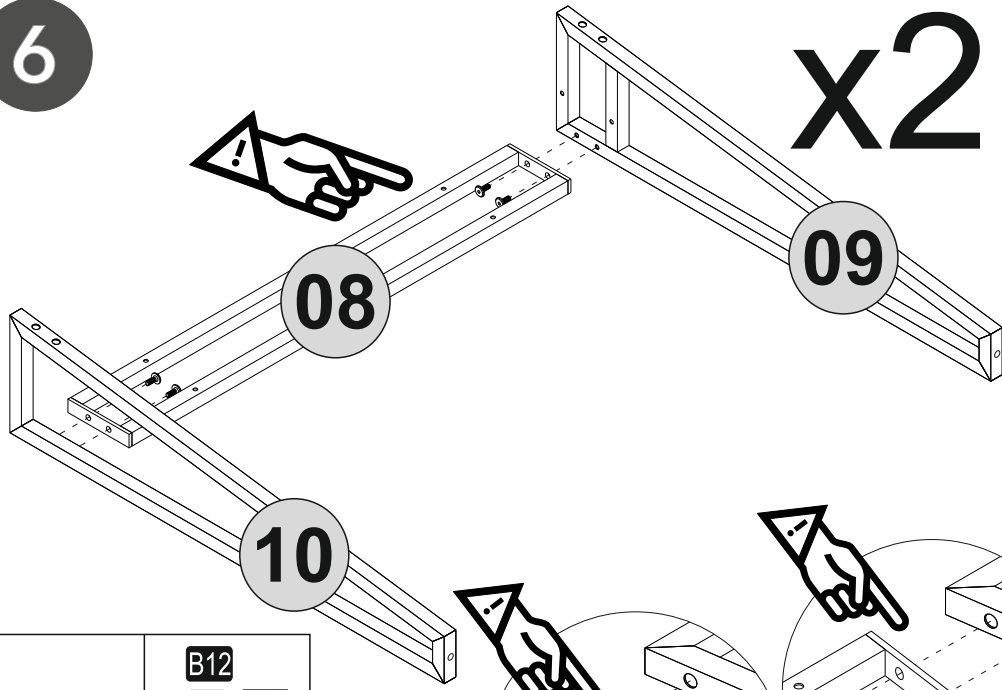
x2



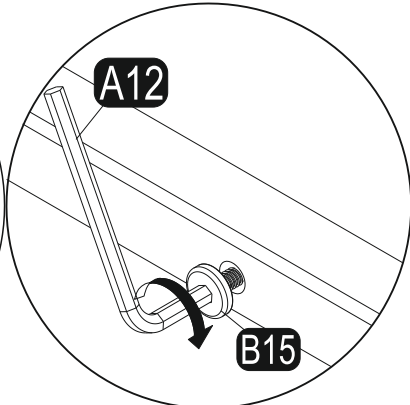
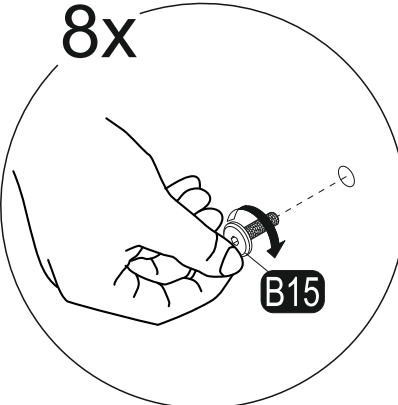
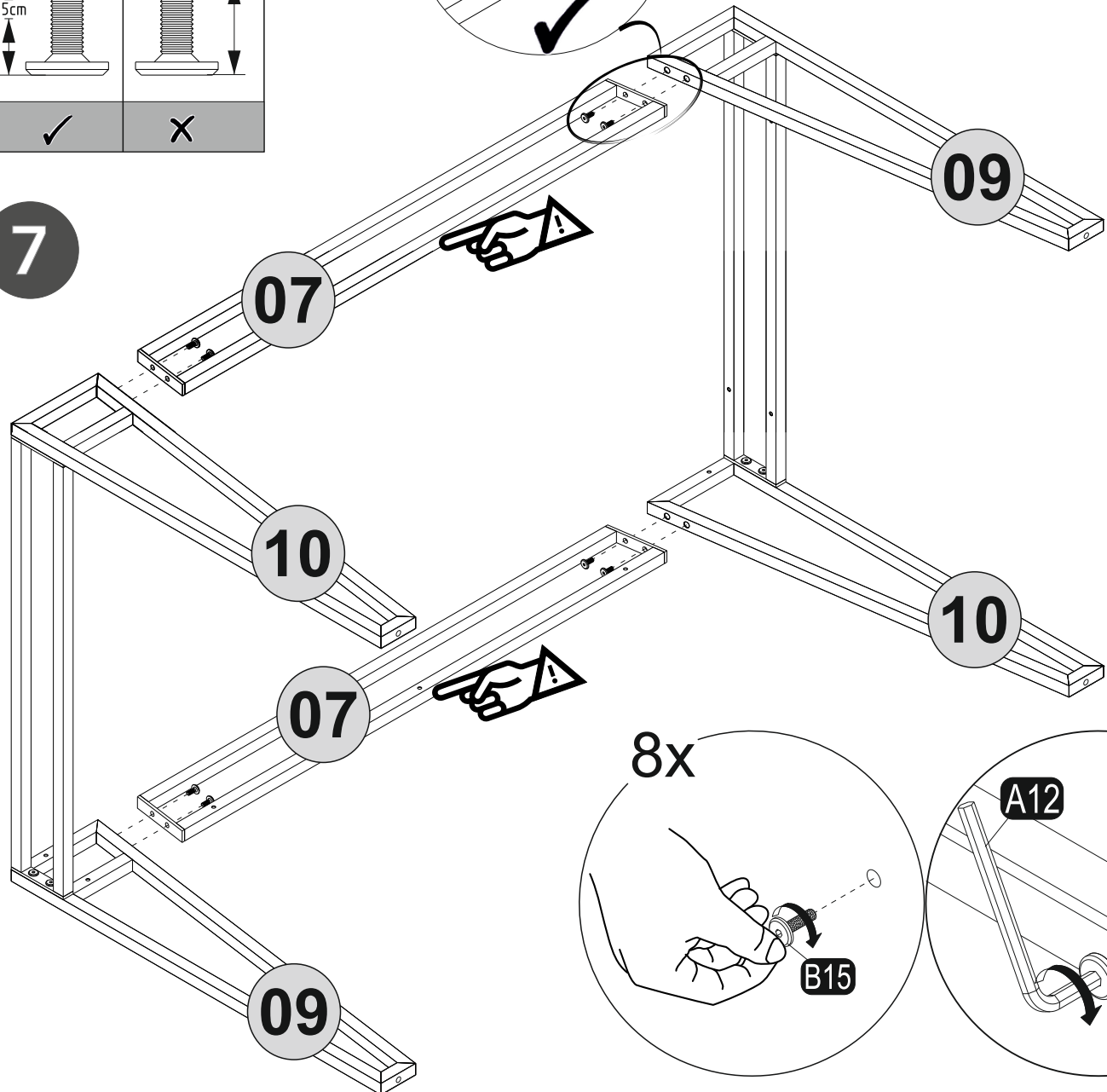
5



6

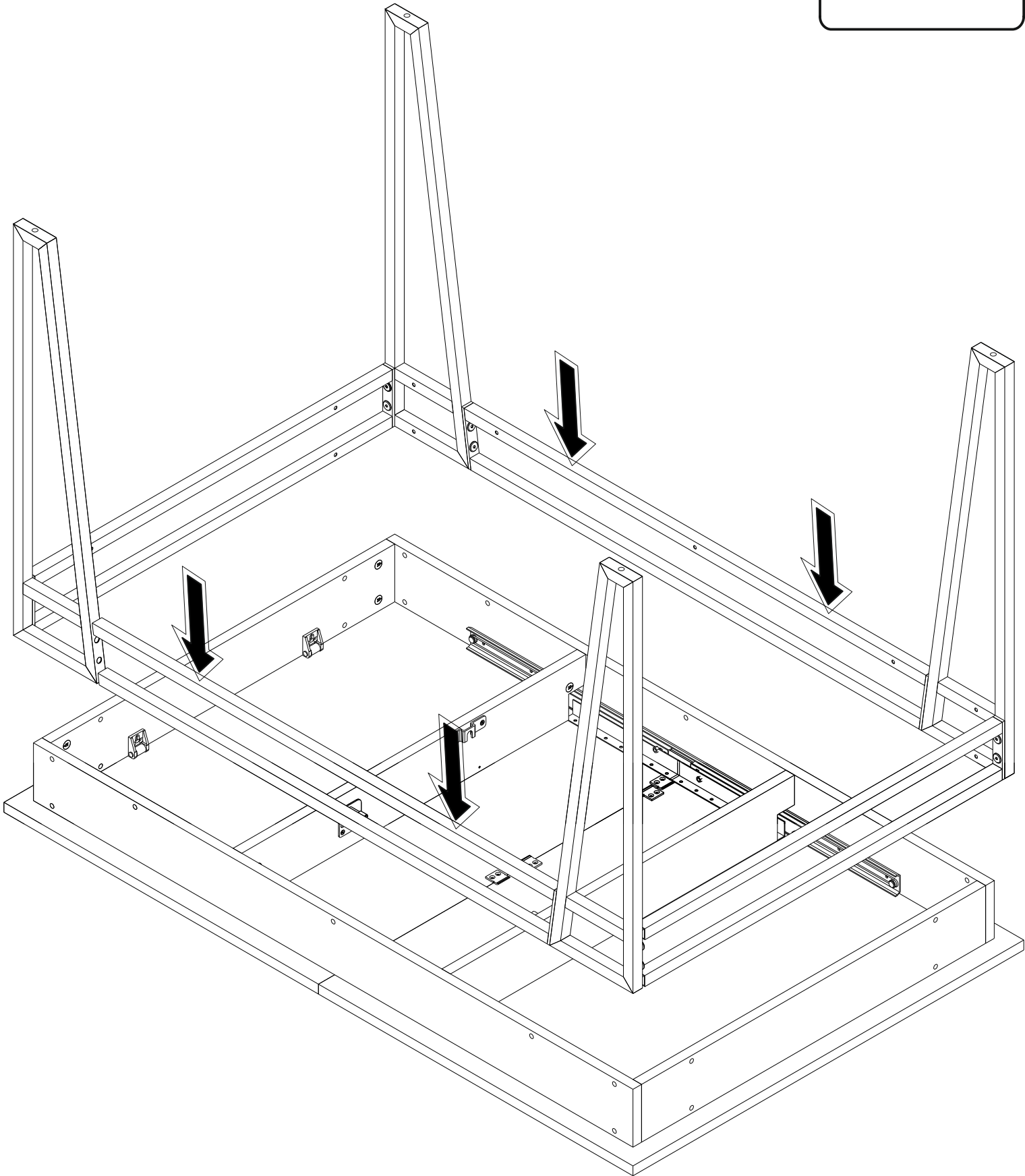


7

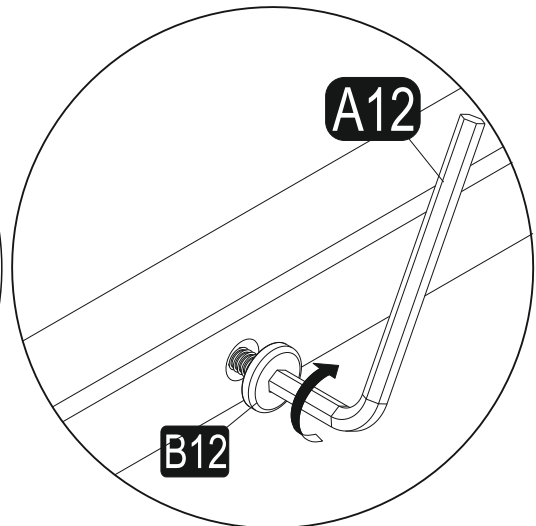
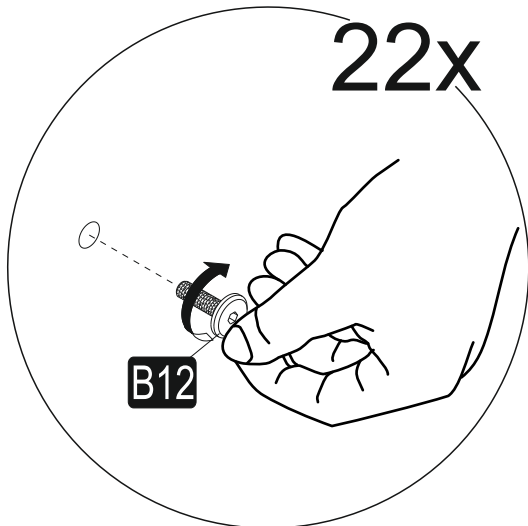
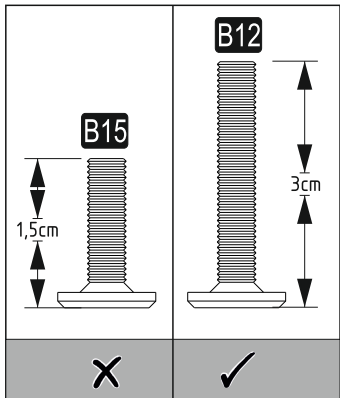
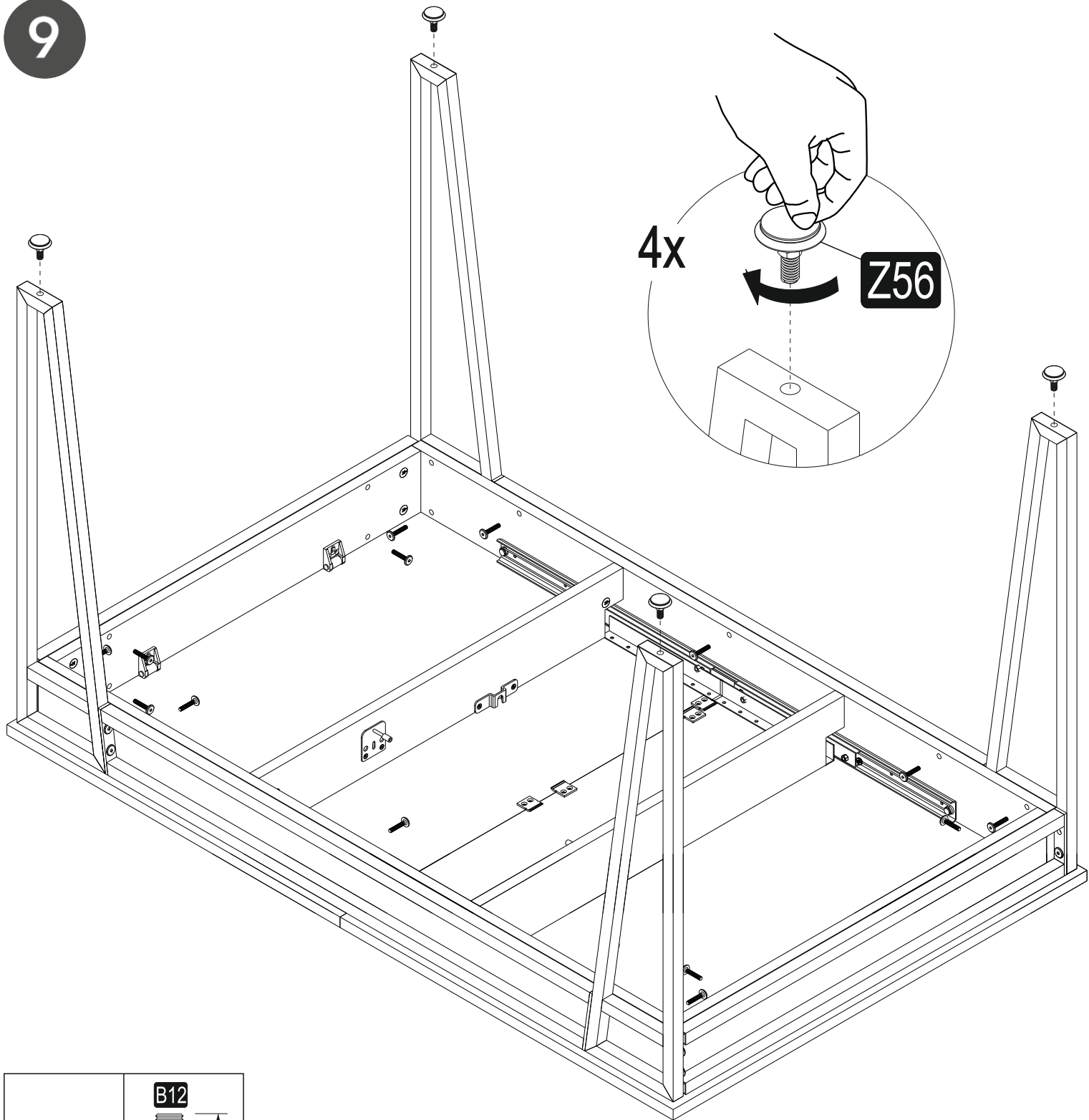




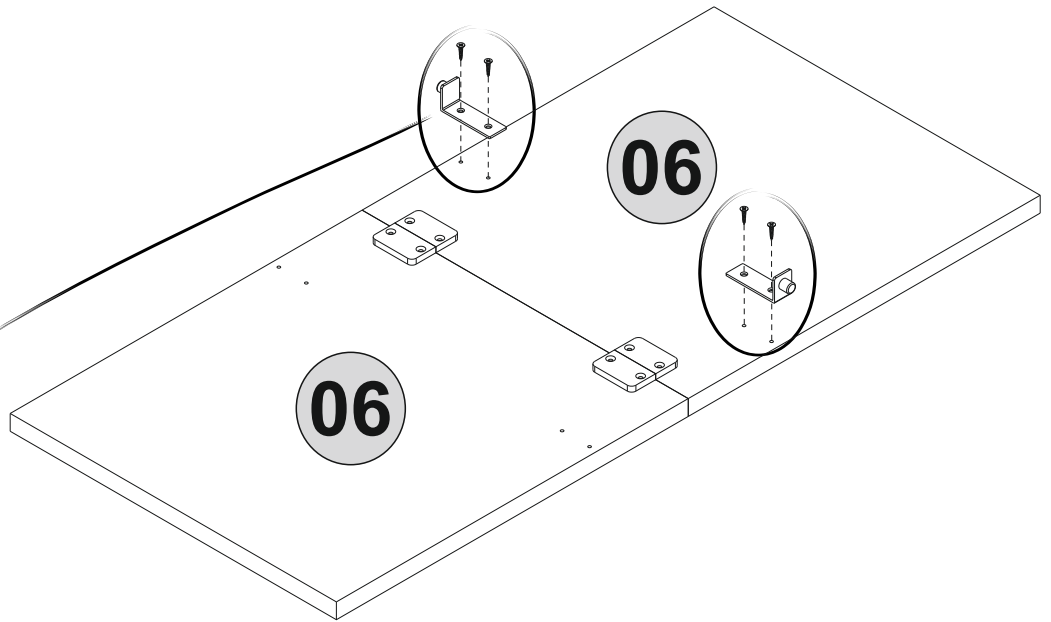
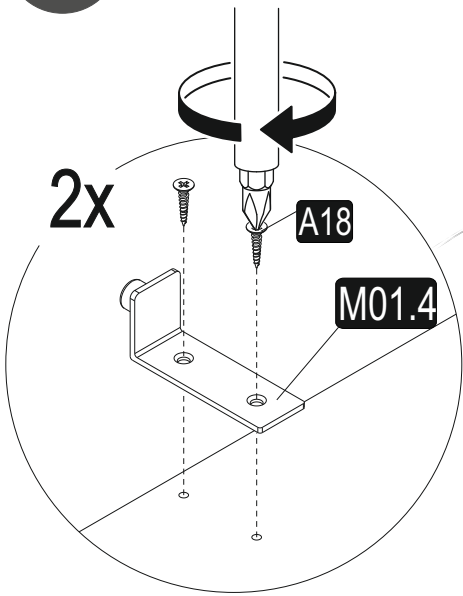
8



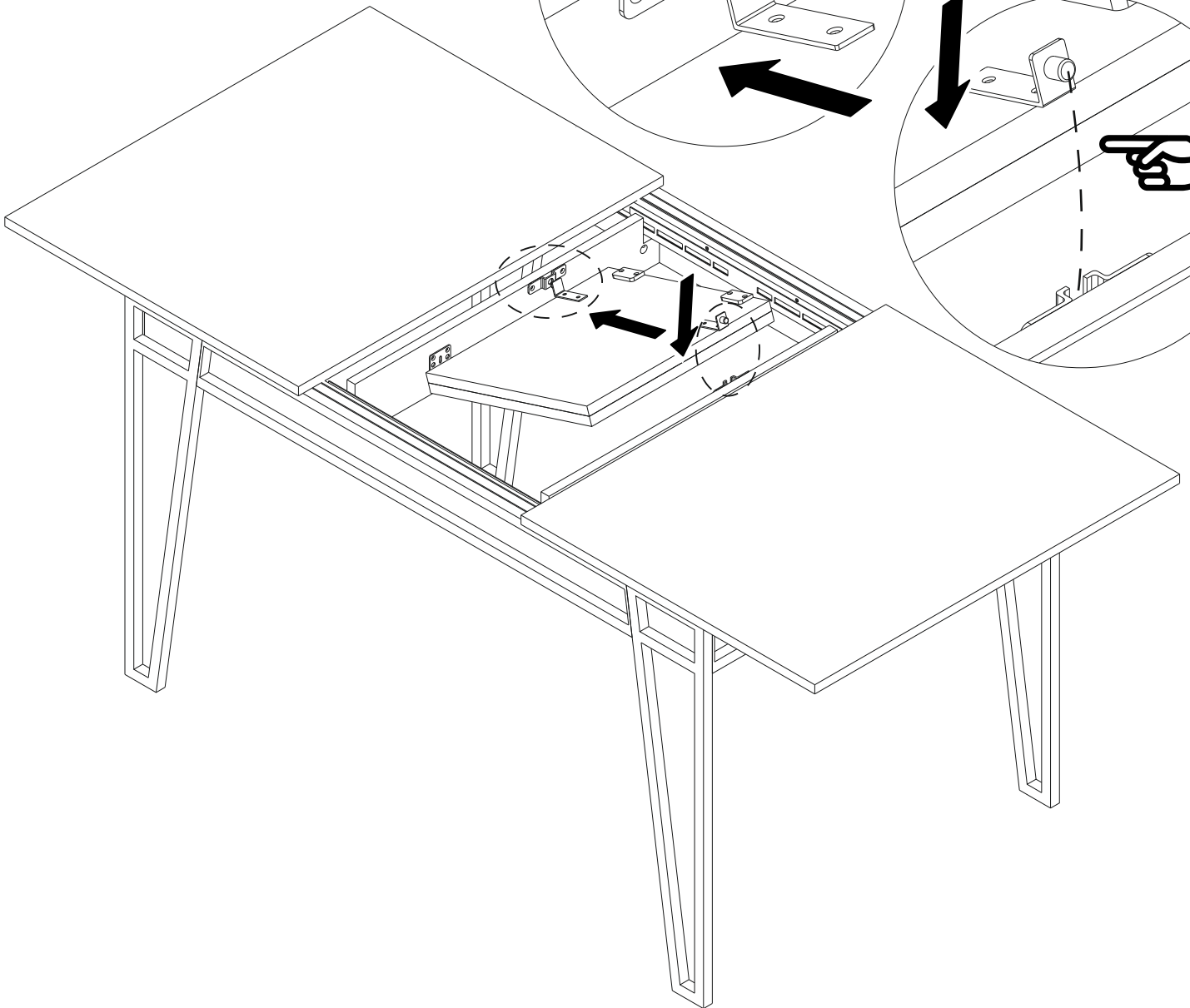
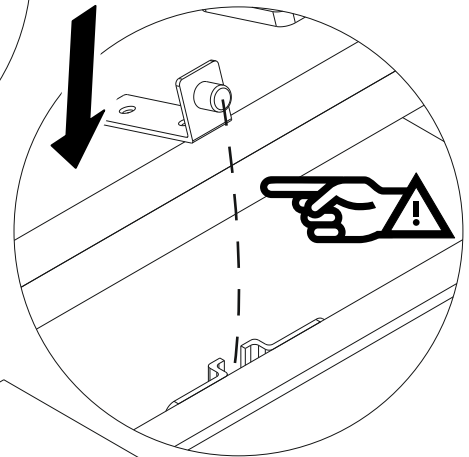
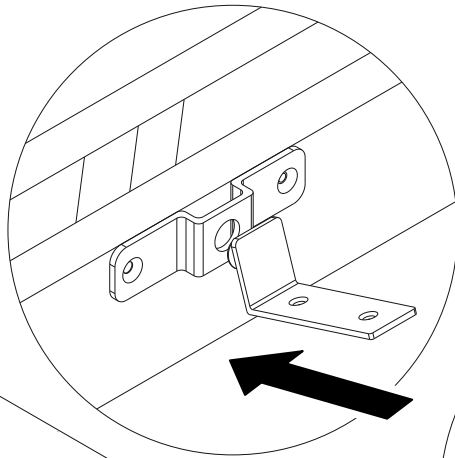
9



10



11



12

